



---

# Robins AFB Parts

---

*Supplying Warfighter Dominance*



# *HH-60G Pave Hawk*



*Supplying Warfighter Dominance*



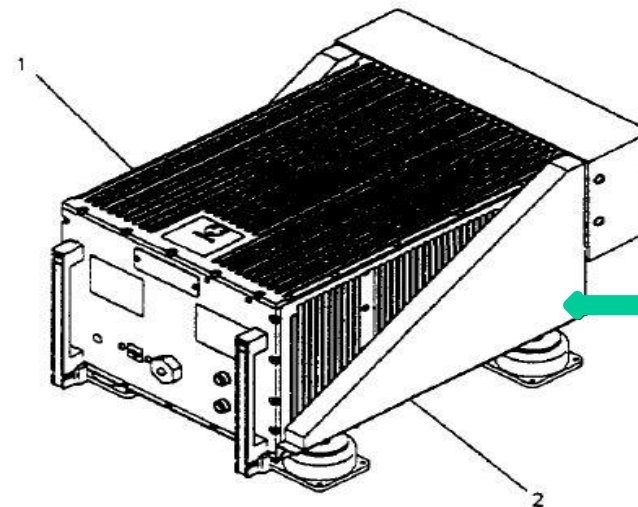
# HH-60G Electrical Equipment Rack

**Alternate Sourcing – New Buy & Repair**

Robins AFB – 411 SCMS



MD:	HH-60	
TMS:	N/A	
NOUN:	Electrical Equipment Rack	
NSN:	5975014160394	
P/N:	2751-0204-2	
Buy Price:	\$14,000.00	
Date Last Procured:	5/17/1996	
Repair Cost:	\$10,000.00	
AAC:	C	
Surplus Available:	0	
QPA/APPL Rate:	1	100
Replacement Rate:	0	



Electrical Equipment Rack

Out Year Requirements: BUY									
FY20:	5	FY21:	3	FY22:	3	FY23:	3	FY24:	3

Out Year Requirements: REPAIR									
FY20:	4	FY21:	4	FY22:	4	FY23:	4	FY24:	4

761:	Available
EDL:	Available

762:	Available
RDL:	Available

## COMMENTS

- Provides a mounting surface to the aircraft with an electrical interface and two cooling fans for the AN/ASN-161 Video Symbology Display System (VSDS).
- OEM no bid for repair and new buy
- Technical data is available



# HH-60G Electrical Equipment Rack

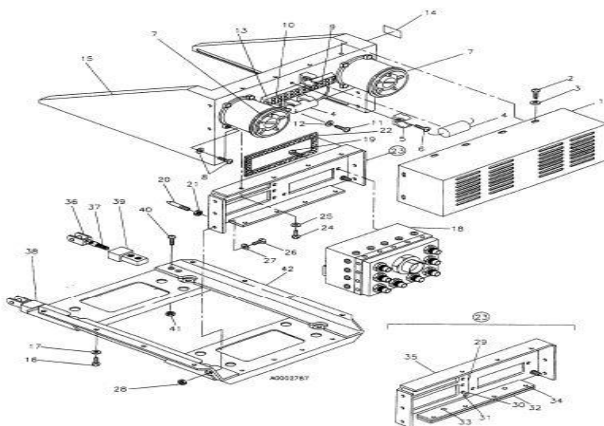
Alternate Sourcing – New Buy & Repair

Robins AFB – 411 SCMS



AMC/AMSC:	2	G
RMC/RMSC:	3	L
Material:	Aluminum	
Dimensions:	11"L X 8"W X 3"H X 5 LBS	
Criticality Code:	X	
Drawings Available:	Yes	
Drawing #:	2751-0204	
T.O. Available:	Yes	
T.O. #:	12R5-2ASN161-4/-3	
Budget Code:	8	
Drawing Cage Code:	14590	
Mesh File Available:	Not Available	
Next Higher Asmbly:	AN/ASN-161	

Health Chart Not Available



Electrical Equipment Rack Breakdown

If you would like to participate in the Technical Discussion on

**April 28, 2020, at 12:30-1:30 (CST)**

provide the following, NLT

**April 23, 2020**

[429SCMS.SASPO.Workflow@us.af.mil](mailto:429SCMS.SASPO.Workflow@us.af.mil)

- Company, -Address, -Name(s), -Email(s), -Phone, and,
- Your questions for Engineering.





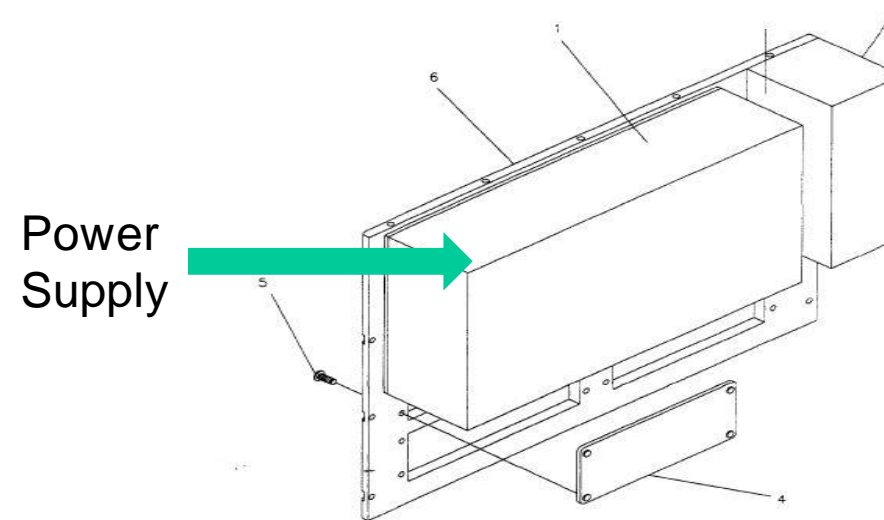
# Signal Generator Unit Power Supply

Reverse Engineering - OTA

Robins AFB – 411 SCMS



MD:	HH-60G	
TMS:	N/A	
NOUN:	Power Supply	
NSN:	Not Stock Listed	
P/N:	WMT100T/5/15-DX1-1-7-ER	
Buy Price:	NA	
Date Last Procured:	NA	
Repair Cost:	NA	
AAC:	NA	
Surplus Available:	0	
QPA/APPL Rate:	0	0
Replacement Rate:	0	



Out Year Requirements: BUY					
FY20:	6	FY21:	6	FY22:	6
FY23:	6	FY24:	6		

Out Year Requirements: REPAIR					
FY20:	0	FY21:	0	FY22:	0
FY23:	0	FY24:	0		

761:	Unavailable
EDL:	Unavailable

762:	Unavailable
RDL:	Unavailable

## COMMENTS

- Power Supply is internal to the Symbol Generator Unit and located on the Rear Panel Assembly
- No Technical Data available
- T.O. 12R5-2ASN161-4 does not breakdown the Power Supply
- Power Supply failure results in condemnation of entire Signal Generator Unit



# Signal Generator Unit Power Supply

Reverse Engineering - OTA

Robins AFB – 411 SCMS



AMC/AMSC:	NA	NA
RMC/RMSC:	NA	NA
Material:	Not Available	
Dimensions:	Not Available	
Criticality Code:	NA	
Drawings Available:	No	
Drawing #:	NA	
T.O. Available:	Yes	
T.O. #:	12R5-2ASN161-4	
Budget Code:	NA	
Drawing Cage Code:	NA	
Mesh File Available:	Not Available	
Next Higher Asmbly:	5855-01-361-9755	

Health Chart Not Available

If you would like to participate in the Technical Discussion on

**April 28, 2020, at 12:30-1:30 (CST)**

provide the following, NLT

**April 23, 2020**

[429SCMS.SASPO.Workflow@us.af.mil](mailto:429SCMS.SASPO.Workflow@us.af.mil)

-Company, -Address, -Name(s), -Email(s), -Phone, and,

-Your questions for Engineering.



# HH-60G Symbol Generator Unit

**Alternate Sourcing – Repair**

Robins AFB – 411 SCMS



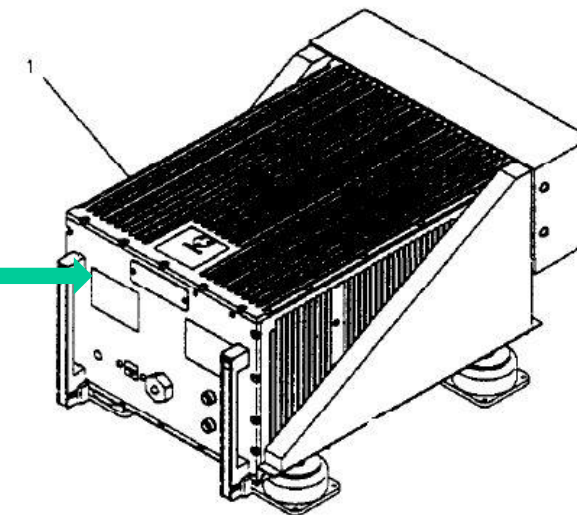
MD:	HH-60	
TMS:	N/A	
NOUN:	Symbol Generator Unit (SGU)	
NSN:	5855013619755	
P/N:	2751-0202-1	
Buy Price:	\$163,015.00	
Date Last Procured:	6/6/2007	
Repair Cost:	\$10,400.00	
AAC:	V	
Surplus Available:	0	
QPA/APPL Rate:	1	100
Replacement Rate:	0	

Out Year Requirements: BUY									
FY20:	0	FY21:	0	FY22:	0	FY23:	0	FY24:	0

Out Year Requirements: REPAIR									
FY20:	30	FY21:	25	FY22:	25	FY23:	15	FY24:	15

761:	Unavailable	762:	Available
EDL:	Unavailable	RDL:	Available

Symbol Generator Unit



## COMMENTS

- SGU processes analog information and mode commands to generate symbology for the Heads Up Display (HUD) and the Heads Down Display (HDD).
- OEM no bid for repair



# HH-60G Symbol Generator Unit

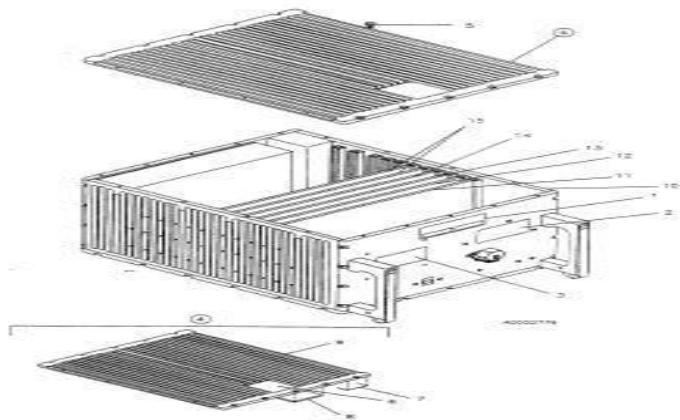
**Alternate Sourcing – Repair**

**Robins AFB – 411 SCMS**



AMC/AMSC:	3	R
RMC/RMSC:	3	D
Material:	Not Available	
Dimensions:	12.5"L X 10.3"W X 8.3"H X 32.5 LBS	
Criticality Code:	X	
Drawings Available:	Yes	
Drawing #:	2751-0202	
T.O. Available:	Yes	
T.O. #:	12R5-2ASN161-4/-3	
Budget Code:	8	
Drawing Cage Code:	14590	
Mesh File Available:	Not Available	
Next Higher Asmbly:	AN/ASN-161	

**Health Chart Not Available**



If you would like to participate in the Technical Discussion on

**April 28, 2020, at 12:30-1:30 (CST)**

provide the following, NLT

**April 23, 2020**

[429SCMS.SASPO.Workflow@us.af.mil](mailto:429SCMS.SASPO.Workflow@us.af.mil)

- Company, -Address, -Name(s), -Email(s), -Phone, and,
- Your questions for Engineering.



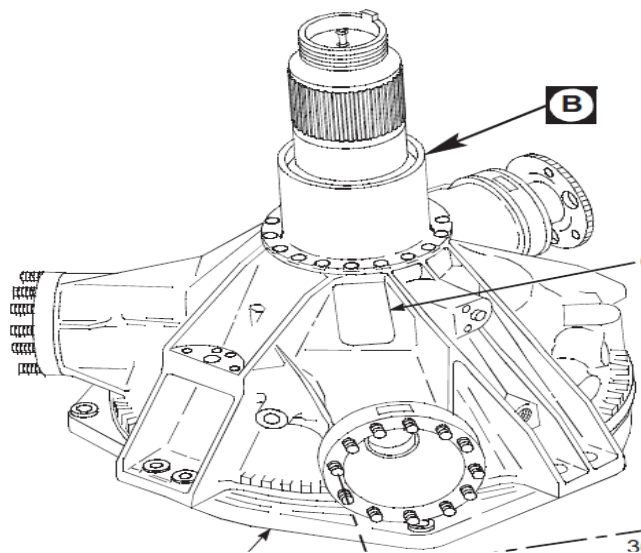
# HH-60G Transmission

## Overhaul & Repair Development - OTA

### Robins AFB – 411 SCMS



<b>MD:</b>	HH-60	
<b>TMS:</b>	N/A	
<b>NOUN:</b>	Transmission	
<b>NSN:</b>	1615015427514	
<b>P/N:</b>	70351-58100-046	
<b>Buy Price:</b>	\$400,000.00	
<b>Date Last Procured:</b>	5/3/2017	
<b>Repair Cost:</b>	\$200,000.00	
<b>AAC:</b>	C	
<b>Surplus Available:</b>	0	
<b>QPA/APPL Rate:</b>	1	100
<b>Replacement Rate:</b>	0	



Out Year Requirements: BUY									
<b>FY20:</b>	0	<b>FY21:</b>	0	<b>FY22:</b>	0	<b>FY23:</b>	0	<b>FY24:</b>	0

Out Year Requirements: REPAIR									
<b>FY20:</b>	10	<b>FY21:</b>	10	<b>FY22:</b>	8	<b>FY23:</b>	7	<b>FY24:</b>	5

<b>761:</b>	Available	<b>762:</b>	Available
<b>EDL:</b>	Unavailable	<b>RDL:</b>	Unavailable

- ### COMMENTS
- T.O. Information - Army Depot Maintenance Work Requirement (DMWR) 1-1615-372 & NAVAIR A1-862QA-MDB-200 are available
  - Current repair source not meeting annual requirements
  - OEM will not release or sell the technical data
  - Critical Safety Item





# HH-60G Transmission

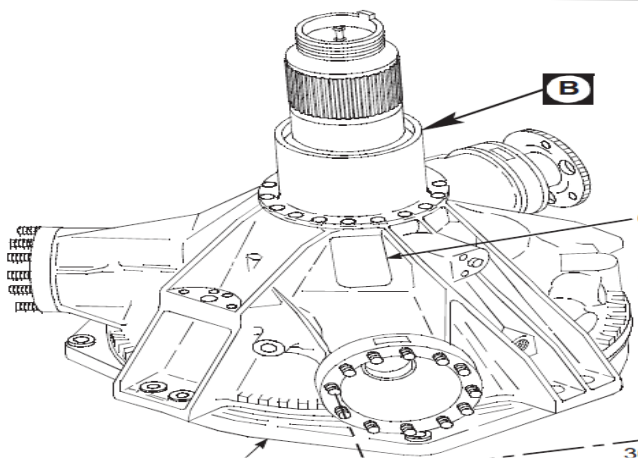
## Overhaul & Repair Development - OTA

Robins AFB – 411 SCMS



AMC/AMSC:	3	P
RMC/RMSC:	1	C
Material:	Steel Gears, Aluminum Alloy Housing	
Dimensions:	50"L X 50"W X 52"H X 1,675 LBS	
Criticality Code:	F	
Drawings Available:	No	
Drawing #:	70351-58100	
T.O. Available:	Yes	
T.O. #:	See Comments	
Budget Code:	8	
Drawing Cage Code:	NA	
Mesh File Available:	Not Available	
Next Higher Asmbly:	HH-60G	

Health Chart Not Available



If you would like to participate in the Technical Discussion on

**April 28, 2020, at 12:30-1:30 (CST)**

provide the following, NLT

**April 23, 2020**

[429SCMS.SASPO.Workflow@us.af.mil](mailto:429SCMS.SASPO.Workflow@us.af.mil)

- Company, -Address, -Name(s), -Email(s), -Phone, and,
- Your questions for Engineering.



# ***UH-1 Twin Huey***



***Supplying Warfighter Dominance***



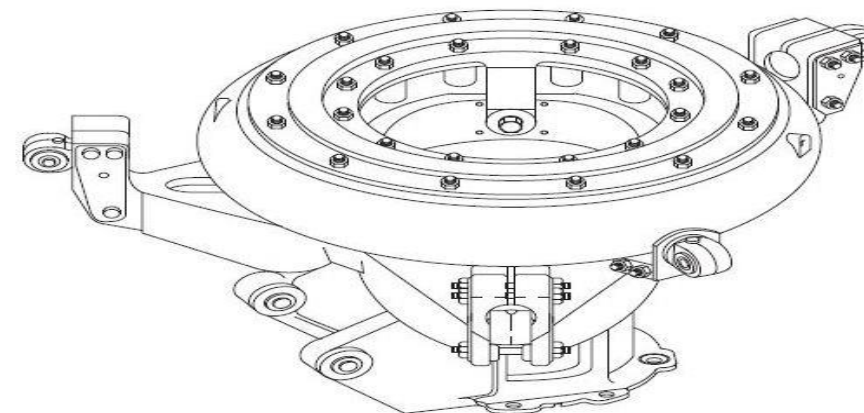
# Controllable Swashplate

**Alternate Sourcing – Repair**

**Robins AFB – 411 SCMS**



MD:	UH-1	
TMS:	N/A	
NOUN:	Controllable Swashplate	
NSN:	1615010183484	
P/N:	204-011-400-19	
Buy Price:	\$10,536.65	
Date Last Procured:	10/1/1997	
Repair Cost:	\$37,338.97	
AAC:	C	
Surplus Available:	0	
QPA/APPL Rate:	1	100%
Replacement Rate:	0	



Out Year Requirements: BUY									
FY20:	0	FY21:	0	FY22:	0	FY23:	0	FY24:	0

Out Year Requirements: REPAIR									
FY20:	60	FY21:	48	FY22:	48	FY23:	48	FY24:	48

761:	Unavailable	762:	Available
EDL:	Unavailable	RDL:	Available

## COMMENTS

- Current source of repair not meeting annual requirements
- Flight safety critical item
- Buy price not updated since last procurement
- Source Approval Request (SAR) required



# Controllable Swashplate

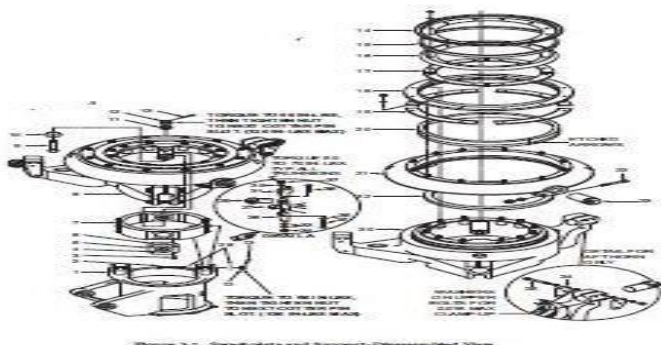
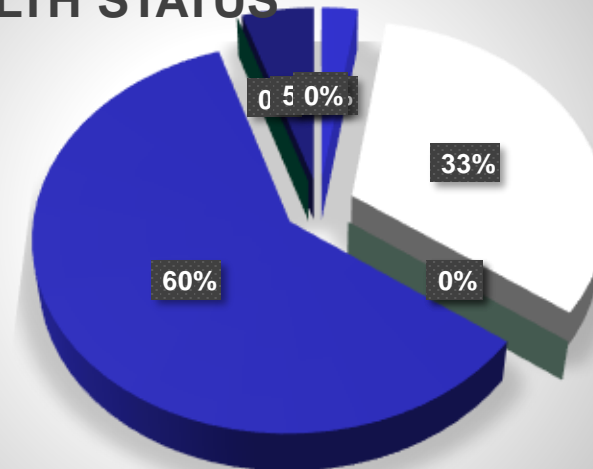
**Alternate Sourcing – Repair**  
Robins AFB – 411 SCMS



AMC/AMSC:	3	R
RMC/RMSC:	2	C
Material:	Not Available	
Dimensions:	Not Available	
Criticality Code:	F	
Drawings Available:	Yes	
Drawing #:	204-011-400	
T.O. Available:	Yes	
T.O. #:	3R2-5-2-2	
Budget Code:	8	
Drawing Cage Code:	97499	
Mesh File Available:	No	
Next Higher Asmby:	UH-1	

Obsolete	0
Sole Source	1
Two or More	13
Unknown	0
Proprietary	0
Logistics	24
NA	0
Build To Print	2
Comn Ind Item	0

## HEALTH STATUS



If you would like to participate in the Technical Discussion on

**April 28, 2020, at 9:30-10:30 (CST)**

provide the following, NLT

**April 23, 2020**

[429SCMS.SASPO.Workflow@us.af.mil](mailto:429SCMS.SASPO.Workflow@us.af.mil)

- Company, -Address, -Name(s), -Email(s), -Phone, and,
- Your questions for Engineering.



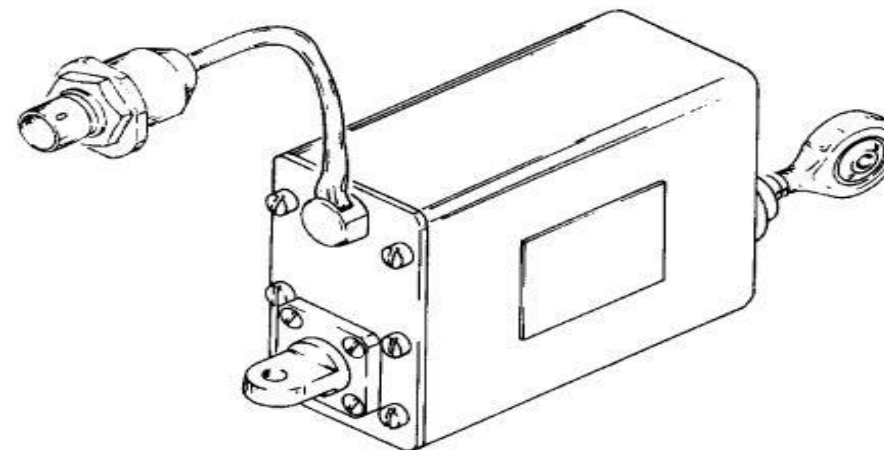
# Linear Electro-Mechanical Actuator

**Alternate Sourcing – Repair**

**Robins AFB – 411 SCMS**



MD:	UH-1	
TMS:	N/A	
NOUN:	Linear Electro-Mechanical Actuator	
NSN:	1680010946453	
P/N:	SYLC 50114	
Buy Price:	\$2,274.48	
Date Last Procured:	10/1/1997	
Repair Cost:	\$3,902.80	
AAC:	C	
Surplus Available:	63	
QPA/APPL Rate:	1	100
Replacement Rate:	0	



Out Year Requirements: BUY									
FY20:	0	FY21:	0	FY22:	0	FY23:	0	FY24:	0

Out Year Requirements: REPAIR									
FY20:	5	FY21:	0	FY22:	6	FY23:	0	FY24:	6

761:	Unavailable
EDL:	Available

762:	Available
RDL:	Available

## COMMENTS

- Opens and closes the air control valve
- Flight safety critical item
- Source Approval Request (SAR) required
- Buy Price not updated since last procurement
- Drawing 209-062-214 is the Procurement Specification





# Linear Electro-Mechanical Actuator

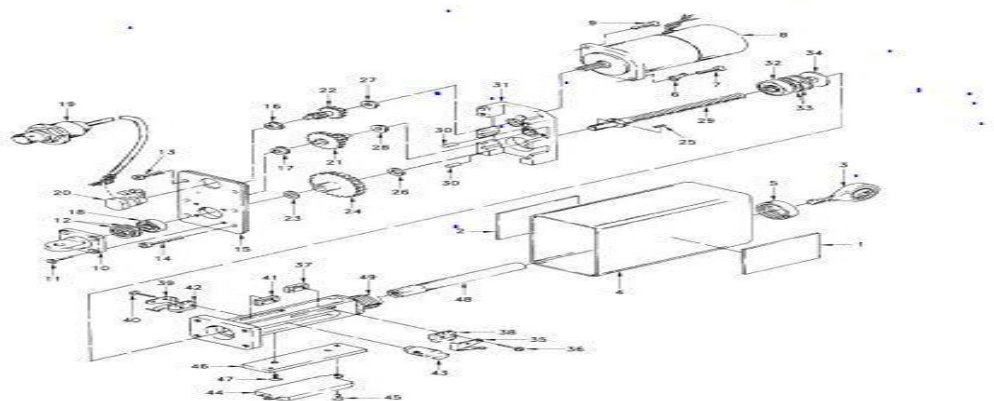
**Alternate Sourcing – Repair**

Robins AFB – 411 SCMS



AMC/AMSC:	1	C
RMC/RMSC:	2	C
Material:	Not Available	
Dimensions:	Not Available	
Criticality Code:	F	
Drawings Available:	No	
Drawing #:	209-062-214	
T.O. Available:	Yes	
T.O. #:	8D1-13-46-3	
Budget Code:	8	
Drawing Cage Code:	97499	
Mesh File Available:	No	
Next Higher Asmbly:	UH-1	

DMSMS Chart Not Available



If you would like to participate in the Technical Discussion on

**April 28, 2020, at 9:30-10:30 (CST)**

provide the following, NLT

**April 23, 2020**

[429SCMS.SASPO.Workflow@us.af.mil](mailto:429SCMS.SASPO.Workflow@us.af.mil)

-Company, -Address, -Name(s), -Email(s), -Phone, and,

-Your questions for Engineering.



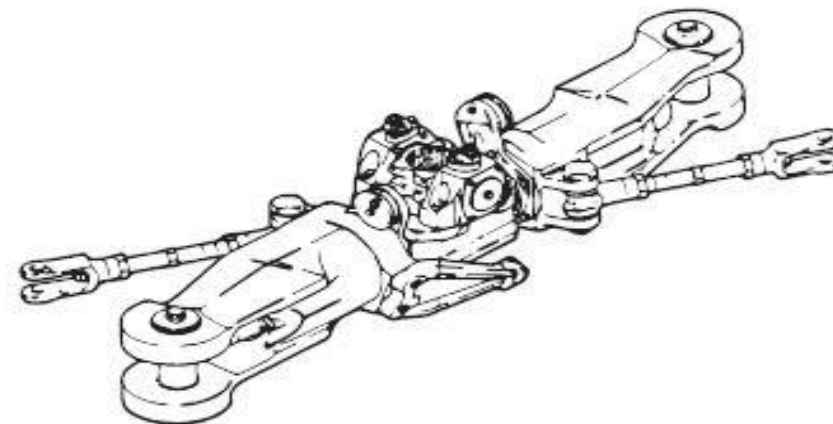
# Main Hub Assembly

**Alternate Sourcing – Repair**

Robins AFB – 411 SCMS



MD:	UH-1		
TMS:	N/A		
NOUN:	Main Hub Assembly		
NSN:	1615015099742		
P/N:	204-012-101-015		
Buy Price:	\$39,265.20		
Date Last Procured:	10/24/1983		
Repair Cost:	\$119,309.49		
AAC:	V		
Surplus Available:	0		
QPA/APPL Rate:	1	100%	
Replacement Rate:	0		



Out Year Requirements: BUY									
FY20:	0	FY21:	0	FY22:	0	FY23:	0	FY24:	0

Out Year Requirements: REPAIR									
FY20:	24	FY21:	32	FY22:	32	FY23:	32	FY24:	32

761:	Unavailable
EDL:	Unavailable

762:	Available
RDL:	Available

## COMMENTS

- Rotates to generate aerodynamic lift and thrust of the UH-1
- Current source of repair not meeting annual requirements
- Flight safety critical item
- Buy price not updated since last procurement
- Source Approval Request (SAR) required



# Main Hub Assembly

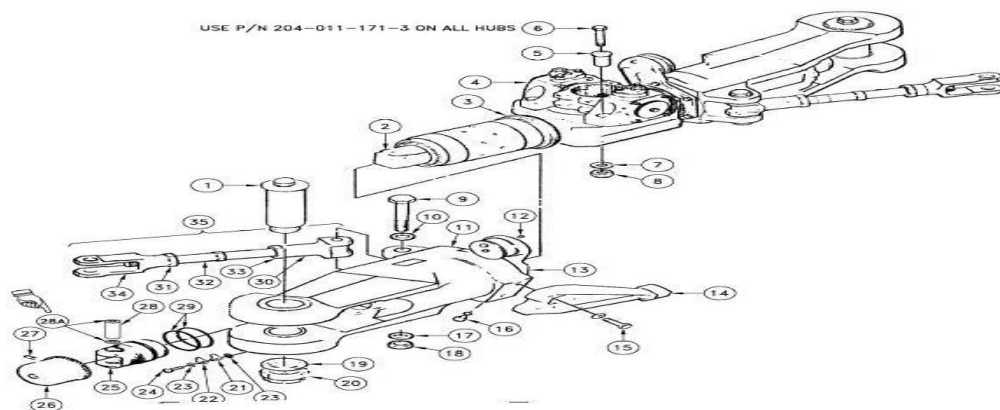
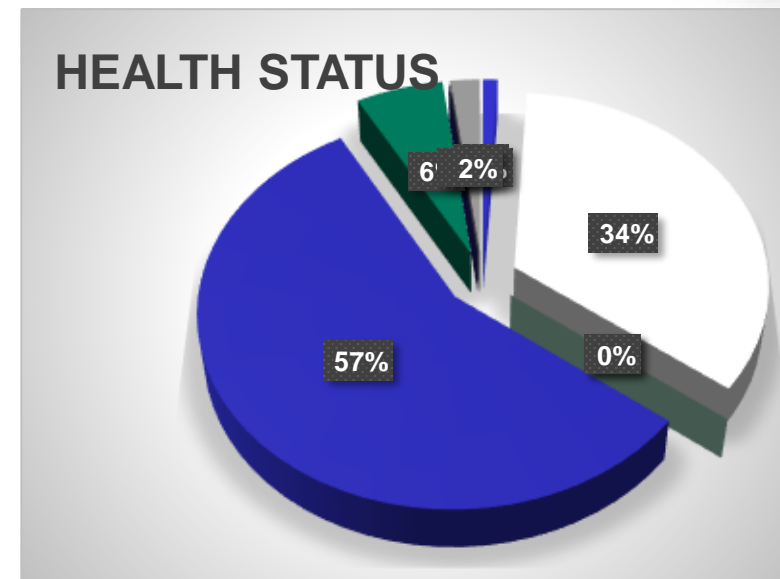
## Alternate Sourcing – Repair

### Robins AFB – 411 SCMS



AMC/AMSC:	3	C
RMC/RMSC:	2	C
Material:	Not Available	
Dimensions:	Not Available	
Criticality Code:	F	
Drawings Available:	Yes	
Drawing #:	204-012-101	
T.O. Available:	Yes	
T.O. #:	3R1-6-4-3	
Budget Code:	8	
Drawing Cage Code:	97499	
Mesh File Available:	No	
Next Higher Asmby:	UH-1	

Obsolete	0
Sole Source	1
Two or More	34
Unknown	0
Proprietary	0
Logistics	56
NA	6
Build To Print	0
Comn Ind Item	2



If you would like to participate in the Technical Discussion on

**April 28, 2020, at 9:30-10:30 (CST)**

provide the following, NLT

**April 23, 2020**

[422SCMS.SASPO.Workflow@us.af.mil](mailto:422SCMS.SASPO.Workflow@us.af.mil)

-Company, -Address, -Name(s), -Email(s), -Phone, and,

-Your questions for Engineering.



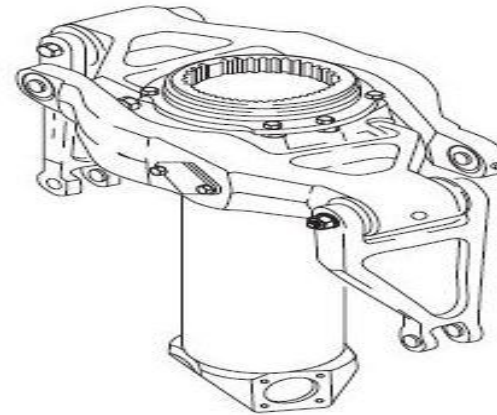
# Rotary Wing Head

Alternate Sourcing – Repair

Robins AFB – 411 SCMS



MD:	UH-1		
TMS:	N/A		
NOUN:	Rotary Wing Head		
NSN:	1615002046973		
P/N:	204-011-401-19		
Buy Price:	\$15,868.23		
Date Last Procured:	8/31/1994		
Repair Cost:	\$38,461.15		
AAC:	C		
Surplus Available:	6		
QPA/APPL Rate:	1	100%	
Replacement Rate:	0		



Out Year Requirements: BUY									
FY20:	0	FY21:	0	FY22:	0	FY23:	0	FY24:	0

Out Year Requirements: REPAIR									
FY20:	28	FY21:	28	FY22:	28	FY23:	28	FY24:	28

761:	Unavailable
EDL:	Unavailable

762:	Available
RDL:	Available

## COMMENTS

- Current source of repair not meeting annual requirements
- Flight safety critical item
- Source Approval Request (SAR) required
- Buy Price has not been updated since last procured



# Rotary Wing Head

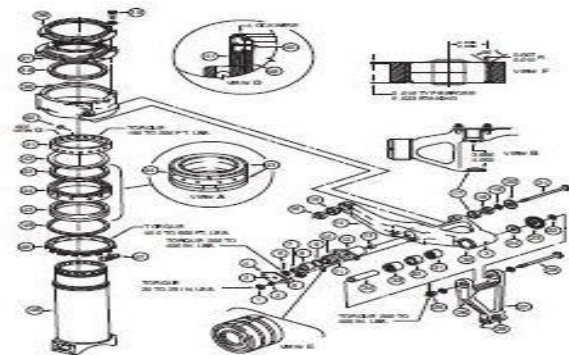
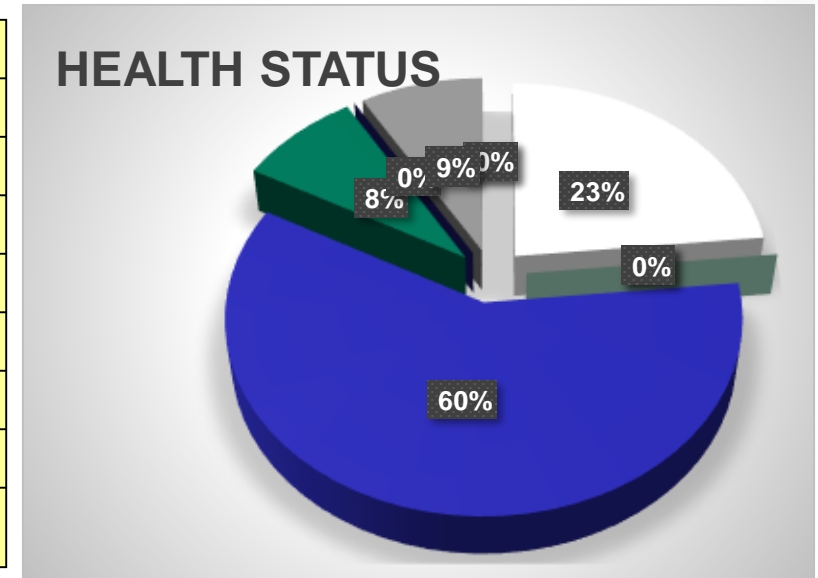
## Alternate Sourcing – Repair

Robins AFB – 411 SCMS



AMC/AMSC:	2	P
RMC/RMSC:	2	C
Material:	Not Available	
Dimensions:	Not Available	
Criticality Code:	F	
Drawings Available:	Yes	
Drawing #:	204-011-401	
T.O. Available:	Yes	
T.O. #:	3R20-2-2/3R20-2-4	
Budget Code:	8	
Drawing Cage Code:	97499	
Mesh File Available:	No	
Next Higher Asmby:	UH-1	

Obsolete	0
Sole Source	0
Two or More	11
Unknown	0
Proprietary	0
Logistics	28
NA	4
Build To Print	0
Comn Ind Item	4



If you would like to participate in the Technical Discussion on

**April 28, 2020, at 9:30-10:30 (CST)**

provide the following, NLT

**April 23, 2020**

[429SCMS.SASPO.Workflow@us.af.mil](mailto:429SCMS.SASPO.Workflow@us.af.mil)

- Company, -Address, -Name(s), -Email(s), -Phone, and,
- Your questions for Engineering.





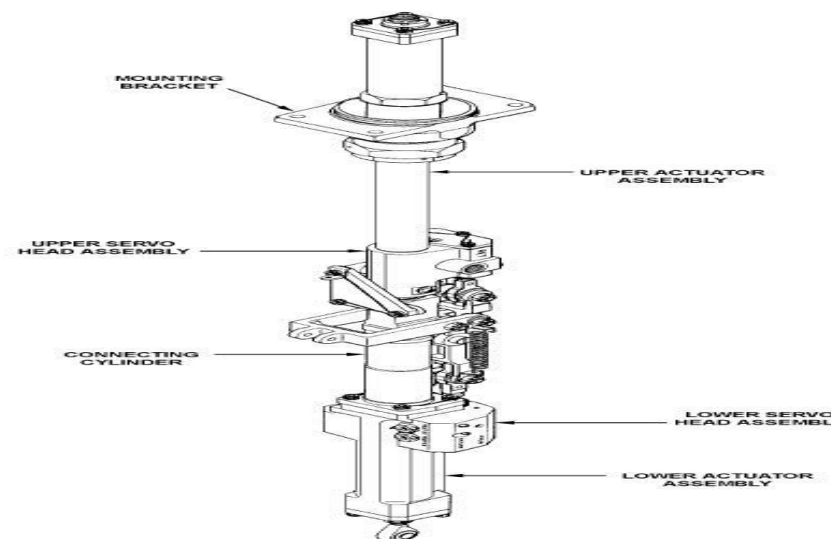
# Cylinder Assembly

Alternate Sourcing – Repair

Robins AFB – 411 SCMS



MD:	UH-1	
TMS:	N/A	
NOUN:	Cylinder Assembly	
NSN:	1650014214776	
P/N:	212-076-005-109	
Buy Price:	\$125,125.24	
Date Last Procured:	1/1/2014	
Repair Cost:	\$20,917.40	
AAC:	Cylinder Assembly	
Surplus Available:	0	
QPA/APPL Rate:	3	100%
Replacement Rate:	0	



Out Year Requirements: BUY									
FY20:	0	FY21:	0	FY22:	0	FY23:	0	FY24:	0

Out Year Requirements: REPAIR									
FY20:	55	FY21:	48	FY22:	44	FY23:	40	FY24:	40

761:	Unavailable	762:	Available
EDL:	Unavailable	RDL:	Available

## COMMENTS

- Controls forward and aft movement of the UH-1
- Flight safety critical item
- Source of repair not meeting annual requirements
- Source Approval Request (SAR) required



# Cylinder Assembly

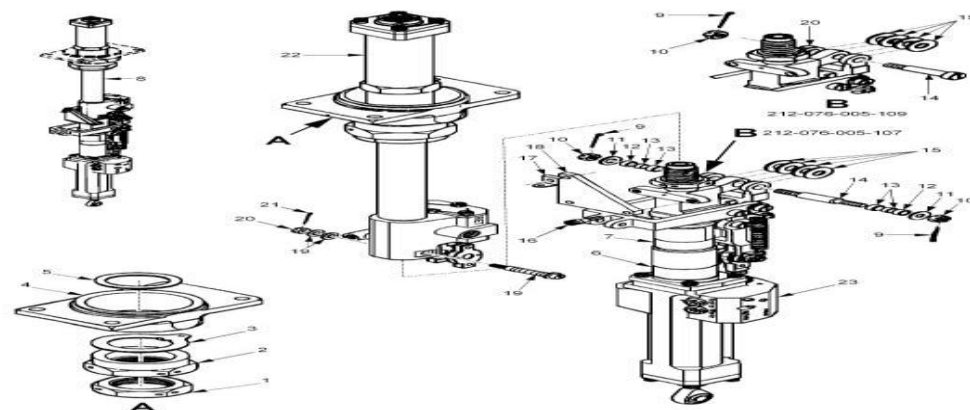
## Alternate Sourcing – Repair

### Robins AFB – 411 SCMS



AMC/AMSC:	3	P
RMC/RMSC:	2	C
Material:	Not Available	
Dimensions:	Not Available	
Criticality Code:	F	
Drawings Available:	No	
Drawing #:	212-076-005	
T.O. Available:	Yes	
T.O. #:	NAVAIR 03-30ET-45	
Budget Code:	8	
Drawing Cage Code:	97499	
Mesh File Available:	No	
Next Higher Asmbly:	UH-1	

Health Chart Not Available



If you would like to participate in the Technical Discussion on

**April 28, 2020, at 9:30-10:30 (CST)**

provide the following, NLT

**April 23, 2020**

[4295CMS.SASPO.Workflow@us.af.mil](mailto:4295CMS.SASPO.Workflow@us.af.mil)

- Company, -Address, -Name(s), -Email(s), -Phone, and,
- Your questions for Engineering.



# *U-2 Dragon Lady*



*Parts on Target*



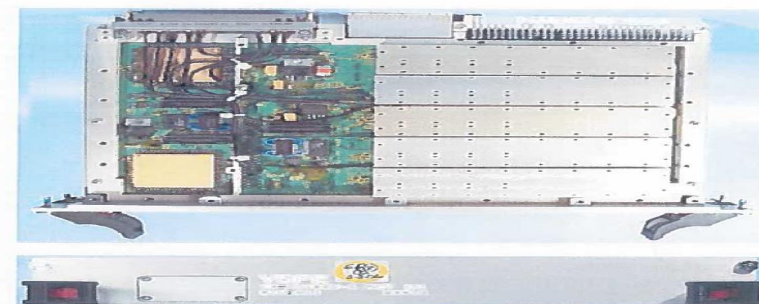
# VME 5 Channel Parameter Encoder (V5PE)

**Alternate Sourcing – New Buy & Repair**

**Robins AFB – HBGA LCMC**



MD:	U-2	
TMS:	N/A	
NOUN:	VME 5 Channel Parameter Encoder	
NSN:	5998015676442	
P/N:	10-204065-1	
Buy Price:	\$272,628.00	
Date Last Procured:	NA	
Repair Cost:	\$46,346.76	
AAC:	C	
Surplus Available:	0	
QPA/APPL Rate:	NA	NA
Replacement Rate:	NA	



Out Year Requirements: BUY									
FY20:	2	FY21:	2	FY22:	2	FY23:	2	FY24:	1

Out Year Requirements: REPAIR									
FY20:	2	FY21:	2	FY22:	2	FY23:	2	FY24:	1

761:	Unavailable	762:	Unavailable
EDL:	Unavailable	RDL:	Unavailable

## COMMENTS

- Supports the Wide Band Pulse Receiver Operations
- OEM will not release or sell the technical data
- T.O. 33D7-51-ASQ230-BSSE-1 is not available for distribution

*Supplying Warfighter Dominance*





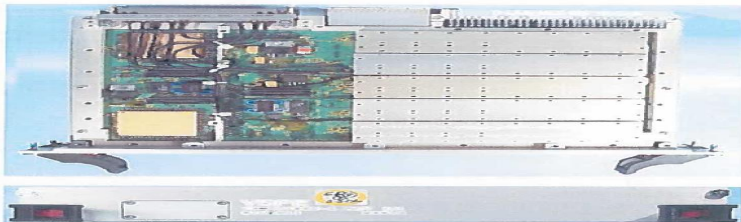
# VME 5 Channel Parameter Encoder (V5PE)

**Alternate Sourcing – New Buy & Repair**  
Robins AFB – HBGA LCMC



AMC/AMSC:	NA	NA
RMC/RMSC:	NA	NA
Material:	Not Available	
Dimensions:	Not Available	
Criticality Code:	NA	
Drawings Available:	NA	
Drawing #:	10-204065	
T.O. Available:	No	
T.O. #:	See Comments	
Budget Code:	S	
Drawing Cage Code:	NA	
Mesh File Available:	Not Available	
Next Higher Asmbly:	U-2	

**Health Chart Not Available**



If you would like to participate in the Technical Discussion on

**April 28, 2020, at 2:00-2:30 (CST)**

provide the following, NLT

**April 23, 2020**

[429SCMS.SASPO.Workflow@us.af.mil](mailto:429SCMS.SASPO.Workflow@us.af.mil)

- Company, -Address, -Name(s), -Email(s), -Phone, and,
- Your questions for Engineering.





# VME Multiplier (VMULT)

**Alternate Sourcing – New Buy & Repair**  
Robins AFB – HBGA LCMC



MD:	U-2	
TMS:	N/A	
NOUN:	VME Multiplier (VMULT)	
NSN:	5998015676443	
P/N:	10-204045-2	
Buy Price:	\$77,894.00	
Date Last Procured:	N/A	
Repair Cost:	\$18,694.56	
AAC:	C	
Surplus Available:	0	
QPA/APPL Rate:	NA	NA
Replacement Rate:	NA	



Out Year Requirements: BUY									
FY20:	2	FY21:	1	FY22:	1	FY23:	1	FY24:	1

Out Year Requirements: REPAIR									
FY20:	2	FY21:	1	FY22:	1	FY23:	1	FY24:	1

761:	Unavailable
EDL:	Unavailable

762:	Unavailable
RDL:	Unavailable

- ### COMMENTS
- VME Multiplier is a 6U single slot VME Circuit Card Assembly
  - OEM will not release or sell the technical data
  - T.O. 33D7-51-ASQ230-BSSE-1 is not available for distribution



# VME Multiplier (VMULT)

**Alternate Sourcing – New Buy & Repair**  
Robins AFB – HBGA LCMC



AMC/AMSC:	NA	NA
RMC/RMSC:	NA	NA
Material:	Not Available	
Dimensions:	Not Available	
Criticality Code:	NA	
Drawings Available:	Not Available	
Drawing #:	10-204045	
T.O. Available:	No	
T.O. #:	See Comments	
Budget Code:	S	
Drawing Cage Code:	NA	
Mesh File Available:	Not Available	
Next Higher Asmbly:	U-2	

**Health Chart Not Available**



If you would like to participate in the Technical Discussion on

**April 28, 2020, at 2:00-2:30 (CST)**  
provide the following, NLT

**April 23, 2020**

[429SCMS.SASPO.Workflow@us.af.mil](mailto:429SCMS.SASPO.Workflow@us.af.mil)

-Company, -Address, -Name(s), -Email(s), -Phone, and,  
-Your questions for Engineering.



# VME Parameter Encoder (VPEM)

**Alternate Sourcing – New Buy & Repair**

**Robins AFB – HBGA LCMC**



MD:	U-2	
TMS:	N/A	
NOUN:	VME Parameter Encoder (VPEM)	
NSN:	5998015676449	
P/N:	10-204061-1	
Buy Price:	\$77,501.00	
Date Last Procured:	NA	
Repair Cost:	\$18,600.24	
AAC:	C	
Surplus Available:	0	
QPA/APPL Rate:	NA	NA
Replacement Rate:	NA	



Out Year Requirements: BUY									
FY20:	1	FY21:	1	FY22:	1	FY23:	0	FY24:	1

Out Year Requirements: REPAIR									
FY20:	1	FY21:	1	FY22:	1	FY23:	0	FY24:	1

761:	Unavailable
EDL:	Unavailable

762:	Unavailable
RDL:	Unavailable

## COMMENTS

- Single Circuit Card Assembly that is a Functional portion of the Wide Band Pulse Receiver
- OEM will not release or sell the technical data
- T.O. 33D7-51-ASQ230-BSSE-1 is not available for distribution



# VME Parameter Encoder (VPEM)

**Alternate Sourcing – New Buy & Repair**

**Robins AFB – HBGA LCMC**



AMC/AMSC:	NA	NA
RMC/RMSC:	NA	NA
Material:	Not Available	
Dimensions:	Not Available	
Criticality Code:	NA	
Drawings Available:	No	
Drawing #:	10-204061	
T.O. Available:	No	
T.O. #:	See Comments	
Budget Code:	S	
Drawing Cage Code:	NA	
Mesh File Available:	Not Available	
Next Higher Asmbly:	U-2	

**Health Chart Not Available**



If you would like to participate in the Technical Discussion on

**April 28, 2020, at 2:00-2:30 (CST)**

provide the following, NLT

**April 23, 2020**

[429SCMS.SASPO.Workflow@us.af.mil](mailto:429SCMS.SASPO.Workflow@us.af.mil)

-Company, -Address, -Name(s), -Email(s), -Phone, and,

-Your questions for Engineering.



# ***C-5 Super Galaxy***



***Supplying Warfighter Dominance***





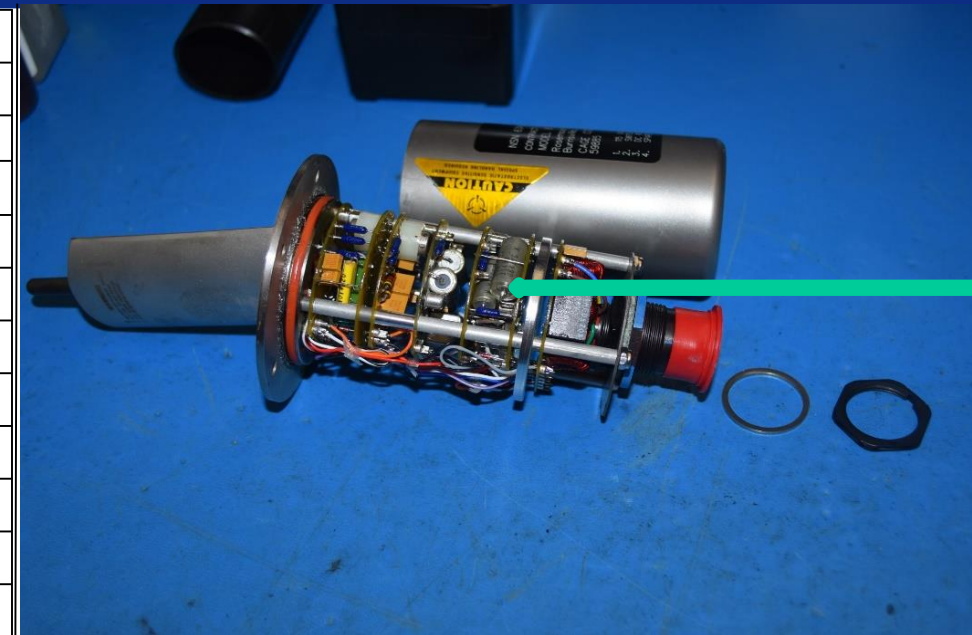
# Ice Detector Assembly – 5 Second Timer Circuit Card



**Reverse Engineering - OTA**

**Robins AFB – 409 SCMS**

<b>MD:</b>	C-5	
<b>TMS:</b>	N/A	
<b>NOUN:</b>	Circuit Card Assembly, 5 Second Timer	
<b>NSN:</b>	5998012314713	
<b>P/N:</b>	00871-1084-0001	
<b>Buy Price:</b>	\$696.39	
<b>Date Last Procured:</b>	1/17/1987	
<b>Repair Cost:</b>	\$257.66	
<b>AAC:</b>	C	
<b>Surplus Available:</b>	0	
<b>QPA/APPL Rate:</b>	1	100
<b>Replacement Rate:</b>	0	



5 Second  
Timer  
Circuit Card

Out Year Requirements: BUY									
<b>FY20:</b>	0	<b>FY21:</b>	0	<b>FY22:</b>	0	<b>FY23:</b>	0	<b>FY24:</b>	0

Out Year Requirements: REPAIR									
<b>FY20:</b>	2	<b>FY21:</b>	2	<b>FY22:</b>	2	<b>FY23:</b>	2	<b>FY24:</b>	2

<b>761:</b>	Unavailable	<b>762:</b>	Unavailable
<b>EDL:</b>	Unavailable	<b>RDL:</b>	Unavailable

- COMMENTS**
- 5 Second Circuit Card is part of a set of 5 that make up the Ice Detector Assembly
  - Complete tech data package required including drawings and parts list
  - Modify T.O. to add IPB for the Circuit Card



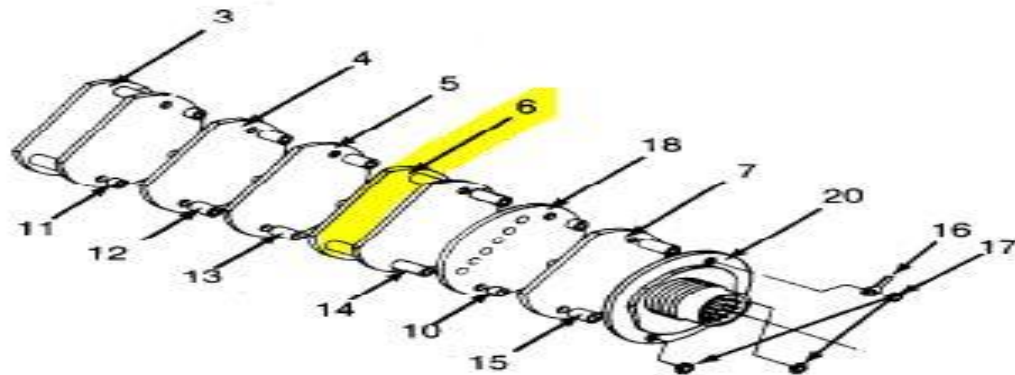
# Ice Detector Assembly – 5 Second Timer Circuit Card



Reverse Engineering - OTA  
Robins AFB – 409 SCMS

AMC/AMSC:	3	H
RMC/RMSC:	0	0
Material:	Not Available	
Dimensions:	Not Available	
Criticality Code:	Y	
Drawings Available:	No	
Drawing #:	00871-1084	
T.O. Available:	Yes	
T.O. #:	15E3-2-65-31	
Budget Code:	8	
Drawing Cage Code:	0	
Mesh File Available:	Not Available	
Next Higher Asmbly:	6340-01-162-7389	

Health Chart Not Available



If you would like to participate in the Technical Discussion on

**April 28, 2020, at 8:00-9:00 (CST)**

provide the following, NLT

**April 23, 2020**

[429SCMS.SASPO.Work-flow@us.af.mil](mailto:429SCMS.SASPO.Work-flow@us.af.mil)

- Company, -Address, -Name(s), -Email(s), -Phone, and,
- Your questions for Engineering.



# Ice Detector Assembly – 60 Sec Timer Circuit Card

Reverse Engineering - OTA

Robins AFB – 409 SCMS



MD:	C-5	
TMS:	N/A	
NOUN:	Circuit Card Assembly, 60 Second Timer	
NSN:	Not Stock Listed	
P/N:	00871-1086-0001	
Buy Price:	NA	
Date Last Procured:	NA	
Repair Cost:	NA	
AAC:	NA	
Surplus Available:	0	
QPA/APPL Rate:	1	100
Replacement Rate:	NA	



60 Sec.  
Timer  
Circuit Card

Out Year Requirements: BUY									
FY20:	0	FY21:	0	FY22:	0	FY23:	0	FY24:	0

Out Year Requirements: REPAIR									
FY20:	1	FY21:	1	FY22:	1	FY23:	1	FY24:	1

761:	Unavailable
EDL:	Unavailable

762:	Unavailable
RDL:	Unavailable

## COMMENTS

- 60 Sec Timer Circuit Card is part of a set of 5 that make up the Ice Detector Assembly
- Complete tech data package with drawings and parts list
- Modify T.O. to add IPB for the Circuit Card



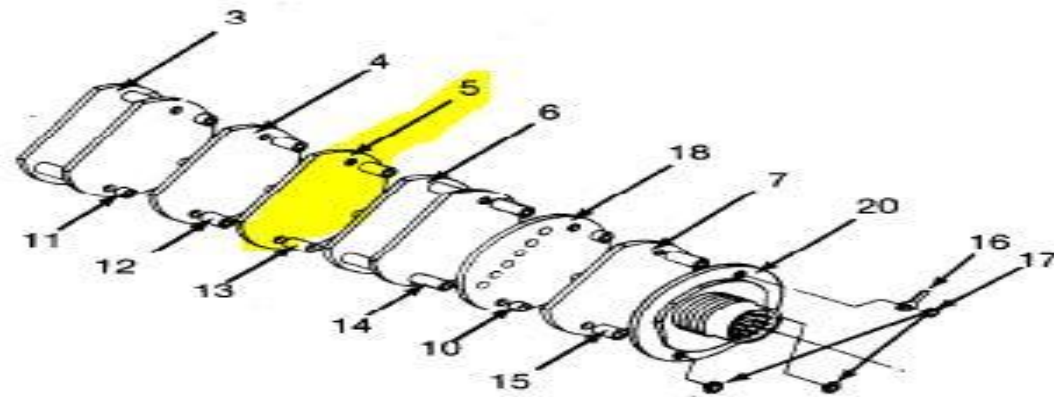
# Ice Detector Assembly – 60 Sec Timer Circuit Card

Reverse Engineering - OTA  
Robins AFB – 409 SCMS



AMC/AMSC:	NA	NA
RMC/RMSC:	NA	NA
Material:	Not Available	
Dimensions:	Not Available	
Criticality Code:	Not Available	
Drawings Available:	No	
Drawing #:	NA	
T.O. Available:	Yes	
T.O. #:	15E3-2-65-31	
Budget Code:	Not Available	
Drawing Cage Code:	Not Available	
Mesh File Available:	Not Available	
Next Higher Asmbly:	6340-01-162-7389	

Health Chart Not Available



If you would like to participate in the Technical Discussion on

**April 28, 2020, at 8:00-9:00 (CST)**

provide the following, NLT

**April 23, 2020**

[429SCMS.SASPO.Workflow@us.af.mil](mailto:429SCMS.SASPO.Workflow@us.af.mil)

- Company, -Address, -Name(s), -Email(s), -Phone, and,
- Your questions for Engineering.





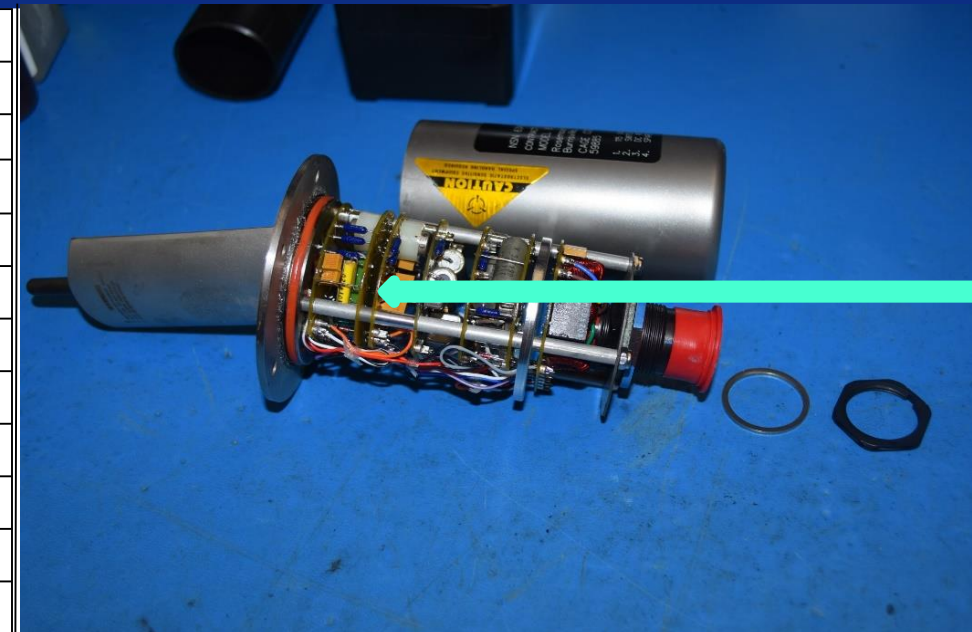
# Ice Detector Assembly – EMI Filter Circuit Card

Reverse Engineering - OTA

Robins AFB – 409 SCMS



MD:	C-5	
TMS:	N/A	
NOUN:	Circuit Board, EMI Filter	
NSN:	5998012314714	
P/N:	00871-1088-0001	
Buy Price:	\$300.00	
Date Last Procured:	1/1/1987	
Repair Cost:	\$0.00	
AAC:	0	
Surplus Available:	0	
QPA/APPL Rate:	0	0
Replacement Rate:	0	



EMI Filter Circuit Card

Out Year Requirements: BUY									
FY20:	0	FY21:	0	FY22:	0	FY23:	0	FY24:	0

Out Year Requirements: REPAIR									
FY20:	1	FY21:	1	FY22:	1	FY23:	1	FY24:	1

761:	Unavailable	762:	Unavailable
EDL:	Unavailable	RDL:	Unavailable

- COMMENTS**
- EMI Filter Circuit Card is part of a set of 5 that make up the Ice Detector Assembly
  - Complete tech data package required including drawings and parts list
  - Modify T.O. to add IPB for the Circuit Card





# Ice Detector Assembly – EMI Filter Circuit Card

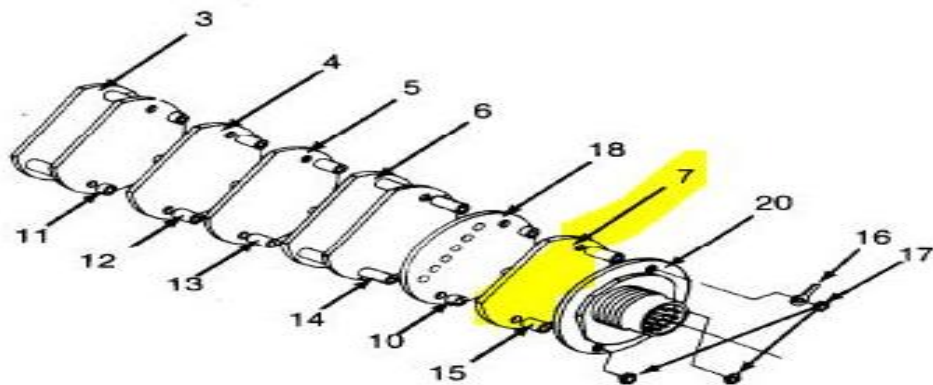
Reverse Engineering - OTA

Robins AFB – 409 SCMS



AMC/AMSC:	N/A	N/A
RMC/RMSC:	N/A	N/A
Material:	Unavailable	
Dimensions:	Unavailable	
Criticality Code:	Y	
Drawings Available:	No	
Drawing #:	0	
T.O. Available:	Yes	
T.O. #:	15E3-2-65-31	
Budget Code:	N/A	
Drawing Cage Code:	59885	
Mesh File Available:	Not Available	
Next Higher Asmbly:	6340-01-162-7389	

Health Chart Not Available



If you would like to participate in the Technical Discussion on

**April 28, 2020, at 8:00-9:00 (CST)**

provide the following, NLT

**April 23, 2020**

[429SCMS.SASPO.Workflow@us.af.mil](mailto:429SCMS.SASPO.Workflow@us.af.mil)

- Company, -Address, -Name(s), -Email(s), -Phone, and,
- Your questions for Engineering.



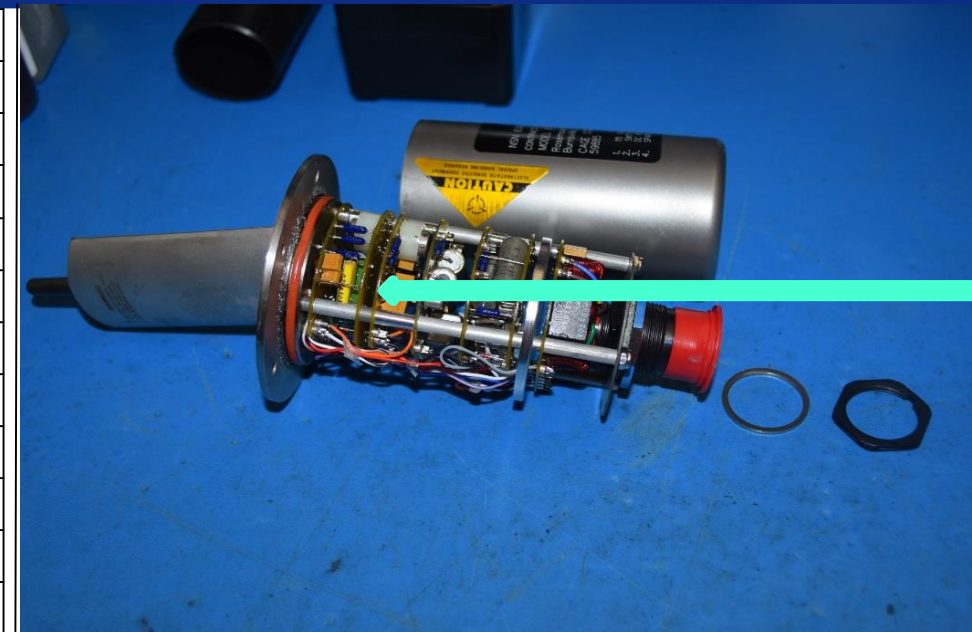
# Ice Detector Assembly - MSO Circuit Card

Reverse Engineering - OTA

Robins AFB – 409 SCMS



MD:	C-5	
TMS:	0	
NOUN:	Circuit Card Assembly, MSO	
NSN:	5998012314712	
P/N:	00871-1079-0002	
Buy Price:	\$587.30	
Date Last Procured:	1/13/1987	
Repair Cost:	\$217.30	
AAC:	C	
Surplus Available:	0	
QPA/APPL Rate:	1	100
Replacement Rate:	0	



MSO  
Circuit Card

Out Year Requirements: BUY									
FY20:	0	FY21:	0	FY22:	0	FY23:	0	FY24:	0

Out Year Requirements: REPAIR									
FY20:	2	FY21:	2	FY22:	2	FY23:	2	FY24:	2

761:	Available	762:	Unavailable
EDL:	Unavailable	RDL:	Unavailable

## COMMENTS

- MSO Circuit Card is part of a set of 5 that make up the Ice Detector Assembly
- Complete tech data package required including drawings and parts list
- Modify T.O. to add IPB for the Circuit Card



# Ice Detector Assembly – MSO Circuit Card

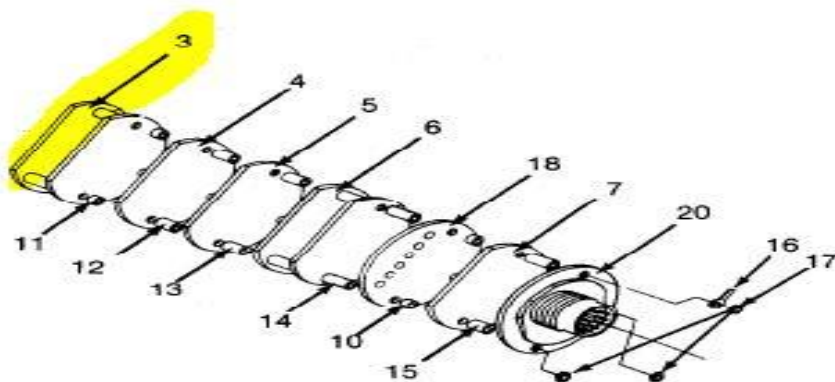
Reverse Engineering - OTA

Robins AFB – 409 SCMS



AMC/AMSC:	3	H
RMC/RMSC:	0	0
Material:	Not Available	
Dimensions:	Not Available	
Criticality Code:	Y	
Drawings Available:	No	
Drawing #:	00871-1079	
T.O. Available:	Yes	
T.O. #:	15E3-2-65-31	
Budget Code:	8	
Drawing Cage Code:	0	
Mesh File Available:	Not Available	
Next Higher Asmbly:	6340-01-162-7389	

Health Chart Not Available



If you would like to participate in the Technical Discussion on

**April 28, 2020, at 8:00-9:00 (CST)**

provide the following, NLT

**April 23, 2020**

[429SCMS.SASPO.Workflow@us.af.mil](mailto:429SCMS.SASPO.Workflow@us.af.mil)

- Company, -Address, -Name(s), -Email(s), -Phone, and,
- Your questions for Engineering.



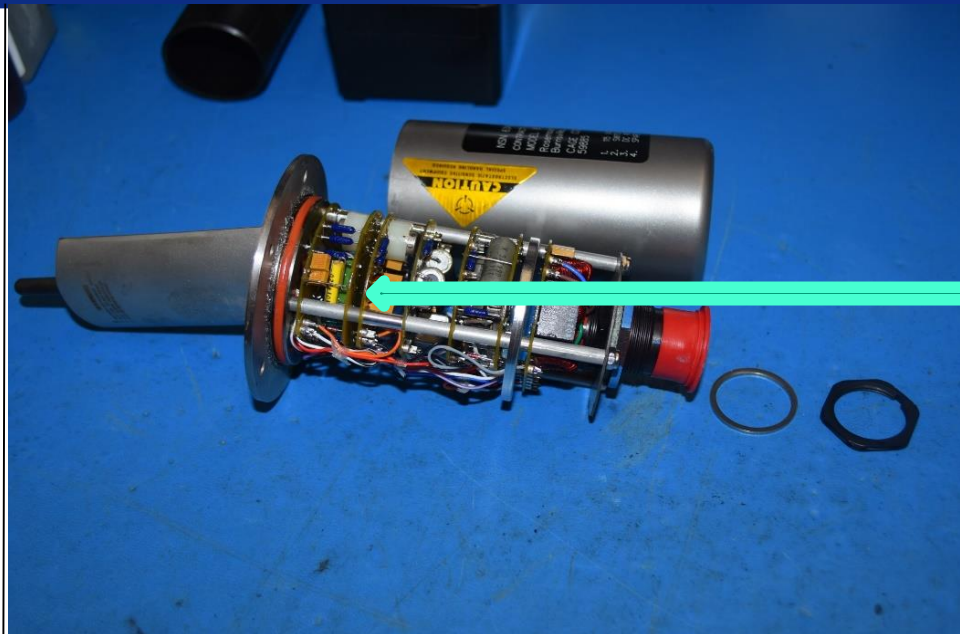
# Ice Detector Assembly – Switch Circuit Card

Reverse Engineering - OTA

Robins AFB – 409 SCMS



MD:	C-5		
TMS:	N/A		
NOUN:	Circuit Card Assembly, Switch		
NSN:	5998012314711		
P/N:	00871-1081-0001		
Buy Price:	\$419.50		
Date Last Procured:	1/17/1987		
Repair Cost:	\$159.41		
AAC:	C		
Surplus Available:	0		
QPA/APPL Rate:	1	100	
Replacement Rate:	0		



Switch Circuit Card

Out Year Requirements: BUY									
FY20:	0	FY21:	0	FY22:	0	FY23:	0	FY24:	0

Out Year Requirements: REPAIR									
FY20:	4	FY21:	2	FY22:	2	FY23:	2	FY24:	2

761:	Unavailable
EDL:	Unavailable

762:	Unavailable
RDL:	Unavailable

## COMMENTS

- Switch Circuit Card is part of a set of 5 that make up the Ice Detector Assembly
- Complete tech data package required including drawings and parts list
- Modify T.O. to add IPB for the Circuit Card





# Ice Detector Assembly – Switch Circuit Card

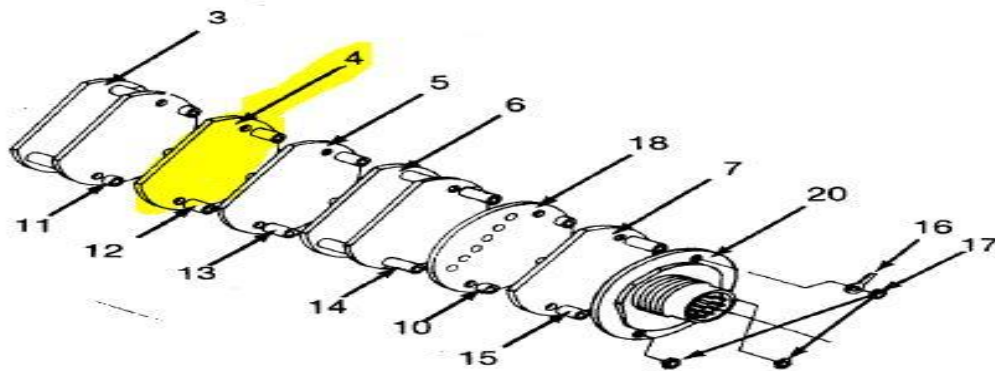
Reverse Engineering - OTA

Robins AFB – 409 SCMS



AMC/AMSC:	0	0
RMC/RMSC:	0	0
Material:	Not Available	
Dimensions:	Not Available	
Criticality Code:	Y	
Drawings Available:	No	
Drawing #:	00871-1081-0001	
T.O. Available:	Yes	
T.O. #:	15E3-2-65-31	
Budget Code:	8	
Drawing Cage Code:	59885	
Mesh File Available:	Not Available	
Next Higher Asmby:	6340-01-162-7389	

Health Chart Not Available



If you would like to participate in the Technical Discussion on

**April 28, 2020, at 8:00-9:00 (CST)**

provide the following, NLT

**April 23, 2020**

[429SCMS.SASPO.Workflow@us.af.mil](mailto:429SCMS.SASPO.Workflow@us.af.mil)

-Company, -Address, -Name(s), -Email(s), -Phone, and,

-Your questions for Engineering.





---

# Tinker AFB Parts

---

*Supplying Warfighter Dominance*



# ***B-52H Bomber***



***Supplying Warfighter Dominance***



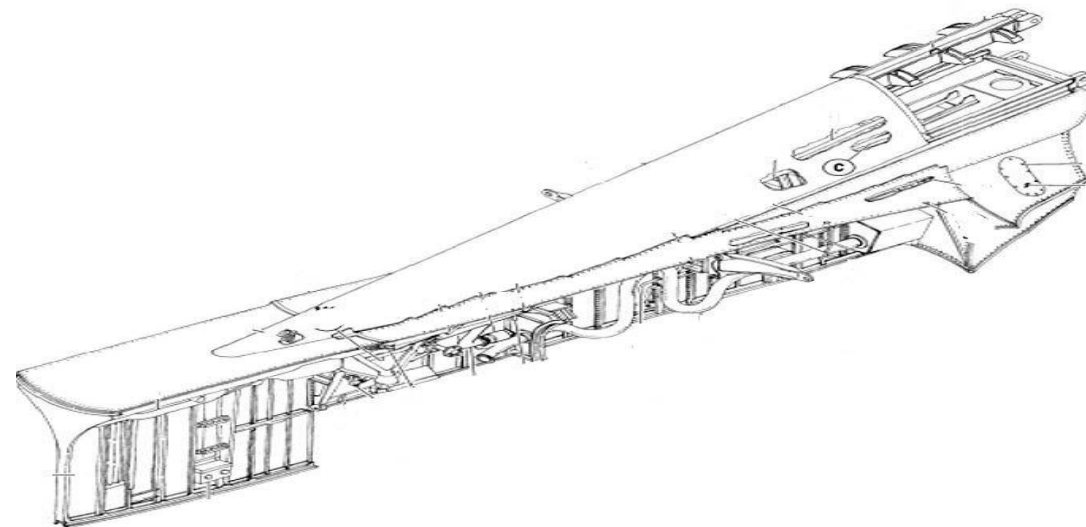
# Aircraft Pylon

## Repair Development (OTA)

### Tinker AFB – 424 SCMS



<b>MD:</b>	<b>B-52</b>	
<b>TMS:</b>	<b>N/A</b>	
<b>NOUN:</b>	<b>Aircraft Pylon, Left Side</b>	
<b>NSN:</b>	<b>1560008734213</b>	
<b>P/N:</b>	<b>35-8202-503</b>	
<b>Buy Price:</b>	<b>\$718,519.60</b>	
<b>Date Last Procured:</b>	<b>3/30/1983</b>	
<b>Repair Cost:</b>	<b>\$210,061.00</b>	
<b>AAC:</b>	<b>C</b>	
<b>Surplus Available:</b>	<b>0</b>	
<b>QPA/APPL Rate:</b>	<b>1</b>	<b>100</b>
<b>Replacement Rate:</b>	<b>53</b>	



Out Year Requirements: BUY									
<b>FY21:</b>	<b>0</b>	<b>FY22:</b>	<b>0</b>	<b>FY23:</b>	<b>0</b>	<b>FY24:</b>	<b>0</b>	<b>FY25:</b>	<b>9</b>

Out Year Requirements: REPAIR									
<b>FY21:</b>	<b>9</b>	<b>FY22:</b>	<b>9</b>	<b>FY23:</b>	<b>9</b>	<b>FY24:</b>	<b>9</b>	<b>FY25:</b>	<b>9</b>

<b>761:</b>	<b>Available</b>	<b>762:</b>	<b>Unavailable</b>
<b>EDL:</b>	<b>Available</b>	<b>RDL:</b>	<b>Unavailable</b>

### COMMENTS

- Currently no viable long term repair strategy in place
- Tech Data Package requires further development
- SPO requirement to start repairing 9 of each configuration per year starting FY21



# Aircraft Pylon

## Repair Development (OTA)

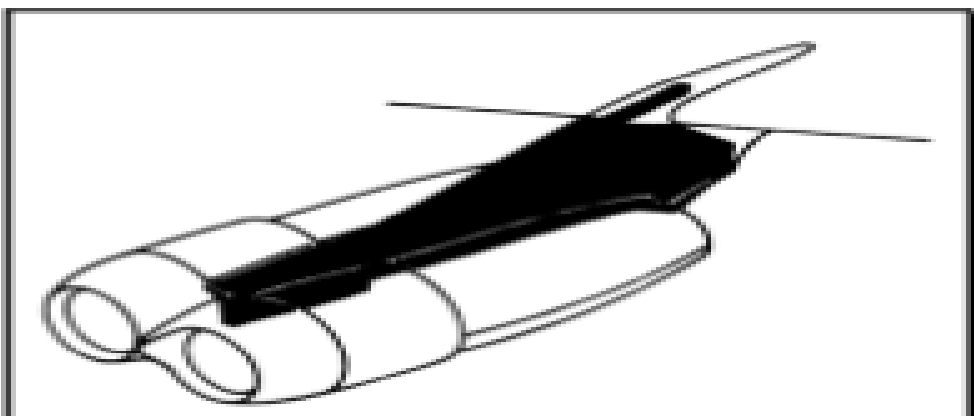
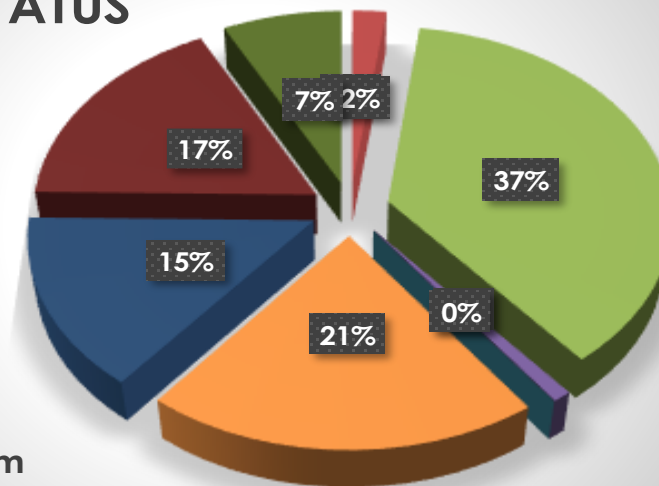
### Tinker AFB – 424 SCMS



AMC/AMSC:	4	C
RMC/RMSC:	N/A	N/A
Material:	Aluminum, Stainless Steel, Titanium	
Dimensions:	L x 30.00 ft; W x 15.00 ft; H x 20.00 ft; Wt x 25,000.00 lb	
Criticality Code:	X	
Drawings Available:	Yes	
Drawing #:	35-8274	
T.O. Available:	No	
T.O. #:	16W6-60-3	
Budget Code:	8	
Drawing Cage Code:	81205	
Mesh File Available:	Unavailable	
Next Higher Asmbly:	B052H	

### HEALTH STATUS

- Obsolete
- Sole Source
- Two or More
- Unknown
- Proprietary
- Logistics
- NA
- Build To Print
- Comn Ind Item



If you would like to participate in the Technical Discussion on

**April 27, 2020, at 9:00-10:00 (CST)**

provide the following, NLT

**April 23, 2020**

[429SCMS.SASPO.Workflow@us.af.mil](mailto:429SCMS.SASPO.Workflow@us.af.mil)

- Company, -Address, -Name(s), -Email(s), -Phone, and,
- Your questions for Engineering.



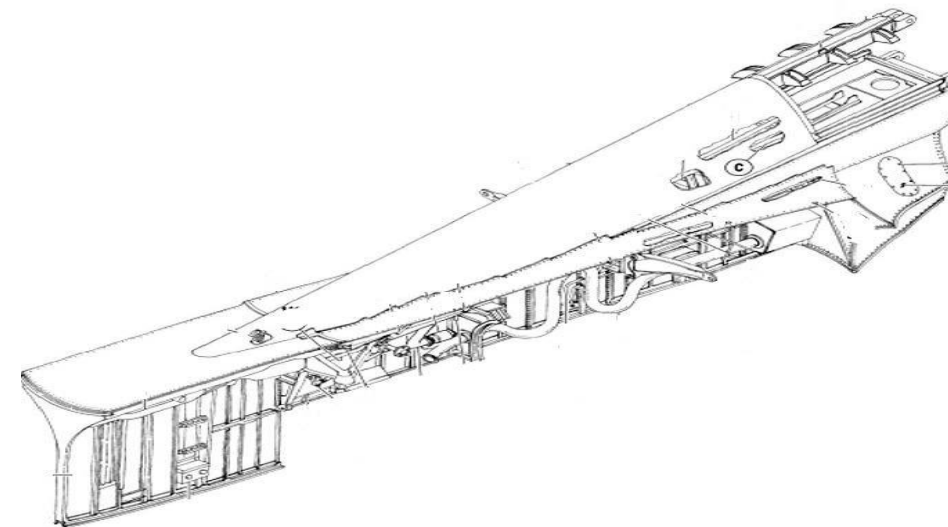
# Aircraft Pylon

## Repair Development (OTA)

### Tinker AFB – 424 SCMS



<b>MD:</b>	<b>B-52</b>	
<b>TMS:</b>	<b>N/A</b>	
<b>NOUN:</b>	<b>Aircraft Pylon RH Outboard</b>	
<b>NSN:</b>	<b>1560008734214</b>	
<b>P/N:</b>	<b>35-8202-504</b>	
<b>Buy Price:</b>	<b>\$718,519.60</b>	
<b>Date Last Procured:</b>	<b>3/30/1983</b>	
<b>Repair Cost:</b>	<b>\$100,592.74</b>	
<b>AAC:</b>	<b>C</b>	
<b>Surplus Available:</b>	<b>0</b>	
<b>QPA/APPL Rate:</b>	<b>1</b>	<b>100</b>
<b>Replacement Rate:</b>	<b>53</b>	



Out Year Requirements: BUY					
<b>FY21:</b>	<b>0</b>	<b>FY22:</b>	<b>0</b>	<b>FY23:</b>	<b>0</b>
		<b>FY24:</b>	<b>0</b>	<b>FY25:</b>	<b>0</b>

Out Year Requirements: REPAIR					
<b>FY21:</b>	<b>9</b>	<b>FY22:</b>	<b>9</b>	<b>FY23:</b>	<b>9</b>
		<b>FY24:</b>	<b>9</b>	<b>FY25:</b>	<b>9</b>

<b>761:</b>	<b>Available</b>	<b>762:</b>	<b>Unavailable</b>
<b>EDL:</b>	<b>Available</b>	<b>RDL:</b>	<b>Unavailable</b>

**COMMENTS**

- Currently no viable long term repair strategy in place
- Tech Data Package requires further development
- SPO requirement to start repairing 9 of each configuration per year starting FY21





# Aircraft Pylon

## Repair Development (OTA)

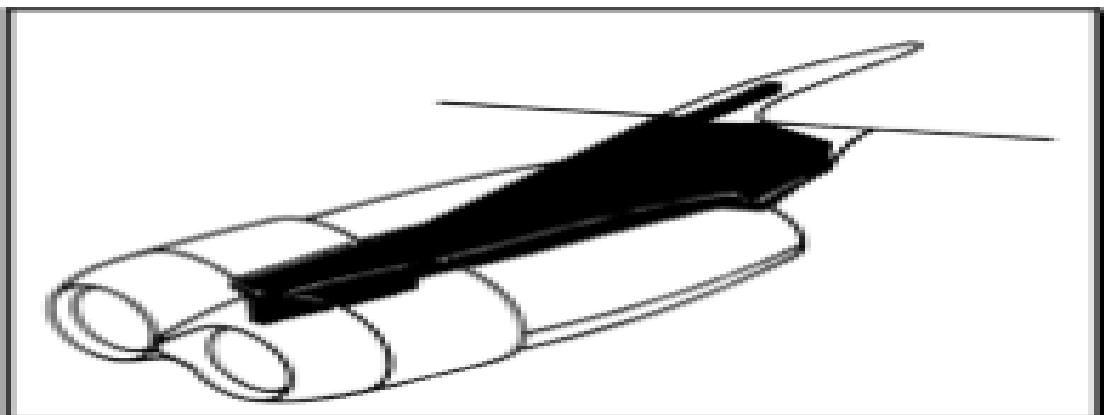
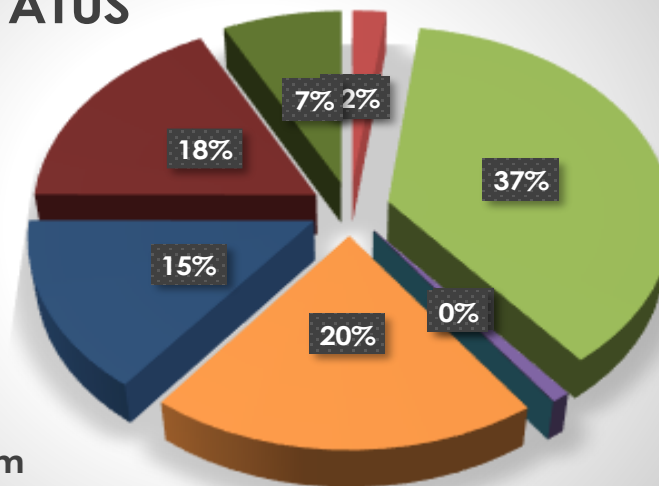
### Tinker AFB – 424 SCMS



AMC/AMSC:	4	C
RMC/RMSC:	N/A	N/A
Material:	Aluminum, Steel and Titanium Alloy	
Dimensions:	L 260.00 in X W 50.00 in X H 84.00 in; Wt 1,338.00 Lbs	
Criticality Code:	X	
Drawings Available:	Yes	
Drawing #:	35-8274	
T.O. Available:	No	
T.O. #:	16W6-60-3	
Budget Code:	8	
Drawing Cage Code:	81205	
Mesh File Available:	Unavailable	
Next Higher Asmbly:	B-52	

### HEALTH STATUS

- Obsolete
- Sole Source
- Two or More
- Unknown
- Proprietary
- Logistics
- NA
- Build To Print
- Comn Ind Item



If you would like to participate in the Technical Discussion on

**April 27, 2020, at 9:00-10:00 (CST)**

provide the following, NLT

**April 23, 2020**

[429SCMS.SASPO.Workflow@us.af.mil](mailto:429SCMS.SASPO.Workflow@us.af.mil)

- Company, -Address, -Name(s), -Email(s), -Phone, and,
- Your questions for Engineering.



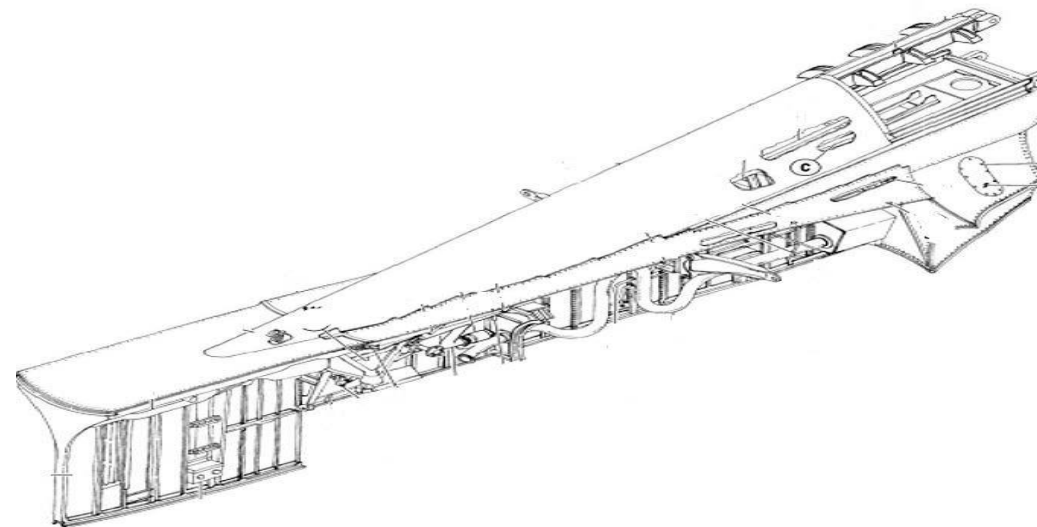
# Aircraft Pylon

## Repair Development (OTA)

### Tinker AFB – 424 SCMS



<b>MD:</b>	B-52	
<b>TMS:</b>	N/A	
<b>NOUN:</b>	Aircraft Pylon Strut RH # 3	
<b>NSN:</b>	1560008882071	
<b>P/N:</b>	35-8201-506	
<b>Buy Price:</b>	\$718,519.60	
<b>Date Last Procured:</b>	3/31/1983	
<b>Repair Cost:</b>	\$100,592.74	
<b>AAC:</b>	C	
<b>Surplus Available:</b>	0	
<b>QPA/APPL Rate:</b>	1	100
<b>Replacement Rate:</b>	53	



Out Year Requirements: BUY									
<b>FY21:</b>	0	<b>FY22:</b>	0	<b>FY23:</b>	0	<b>FY24:</b>	0	<b>FY25:</b>	0

Out Year Requirements: REPAIR									
<b>FY21:</b>	9	<b>FY22:</b>	9	<b>FY23:</b>	9	<b>FY24:</b>	9	<b>FY25:</b>	9

<b>761:</b>	Available	<b>762:</b>	Unavailable
<b>EDL:</b>	Available	<b>RDL:</b>	Unavailable

## COMMENTS

- Currently no viable long term repair strategy in place
- Tech Data Package requires further development
- SPO requirement to start repairing 9 of each configuration per year starting FY21



# Aircraft Pylon

## Repair Development (OTA)

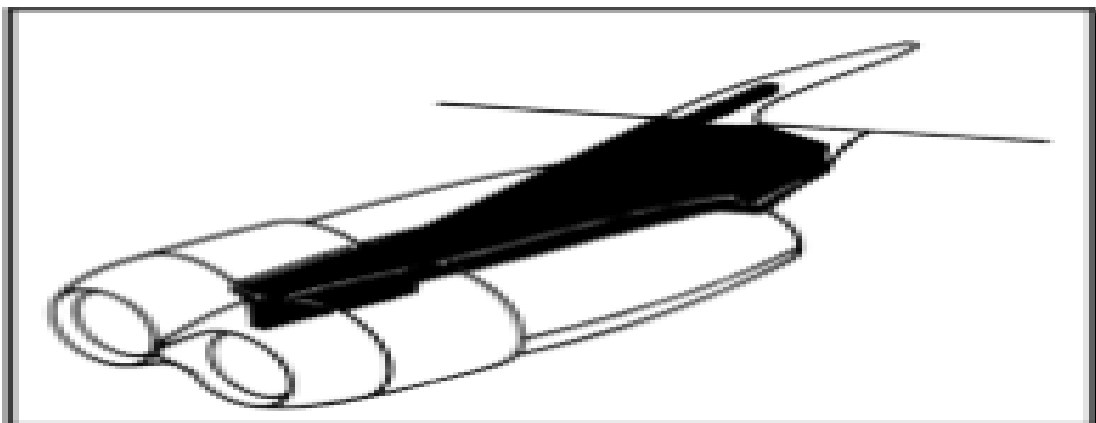
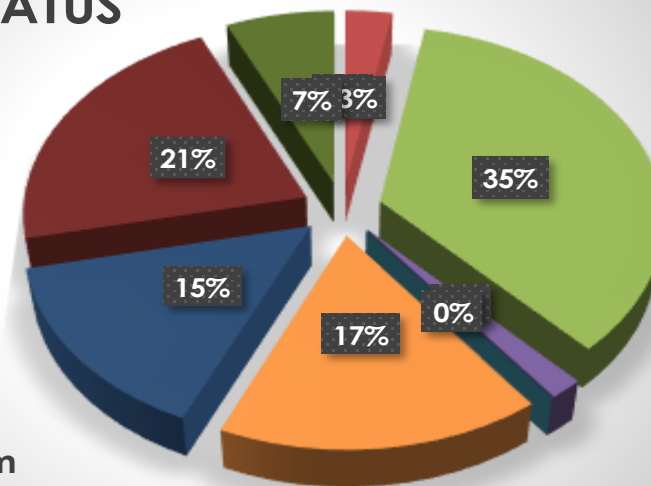
### Tinker AFB – 424 SCMS



AMC/AMSC:	4	C
RMC/RMSC:	N/A	N/A
Material:	Aluminum, Steel and Titanium Alloy	
Dimensions:	L 260.00 in X W 50.00 in X H 84.00 in X Wt 1,338.00 lbs	
Criticality Code:	X	
Drawings Available:	Yes	
Drawing #:	35-8274	
T.O. Available:	No	
T.O. #:	16W6-60-3	
Budget Code:	8	
Drawing Cage Code:	81205	
Mesh File Available:	Unavailable	
Next Higher Asmby:	B052H	

### HEALTH STATUS

- Obsolete
- Sole Source
- Two or More
- Unknown
- Proprietary
- Logistics
- NA
- Build To Print
- Comn Ind Item



If you would like to participate in the Technical Discussion on

**April 27, 2020, at 9:00-10:00 (CST)**

provide the following, NLT

**April 23, 2020**

[429SCMS.SASPO.Workflow@us.af.mil](mailto:429SCMS.SASPO.Workflow@us.af.mil)

- Company, -Address, -Name(s), -Email(s), -Phone, and,
- Your questions for Engineering.



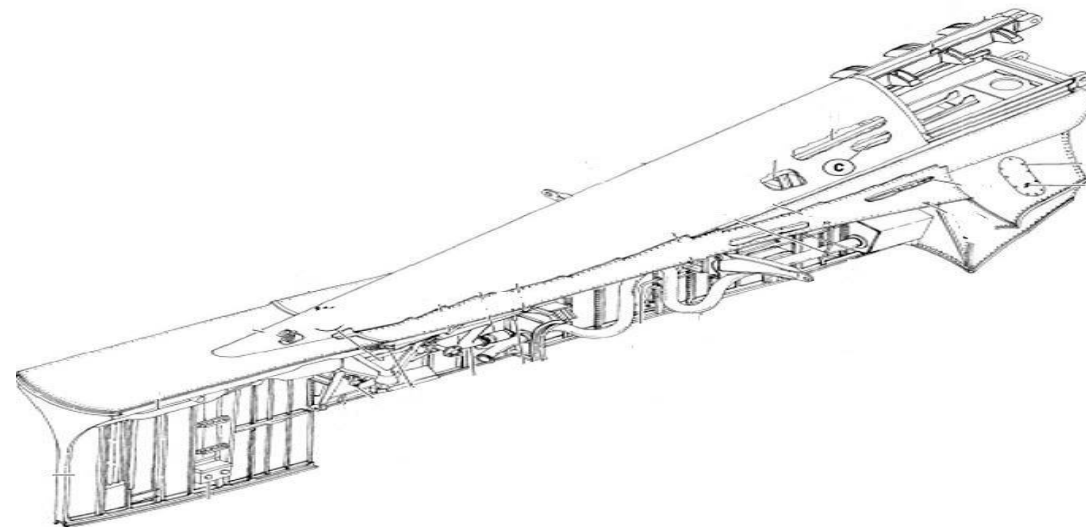
# Aircraft Pylon

## Repair Development (OTA)

### Tinker AFB – 424 SCMS



<b>MD:</b>	B-52	
<b>TMS:</b>	N/A	
<b>NOUN:</b>	Aircraft Pylon, Left Side Inbord No 2	
<b>NSN:</b>	1560008882072	
<b>P/N:</b>	35-8201-505	
<b>Buy Price:</b>	\$718,519.60	
<b>Date Last Procured:</b>	3/30/2020	
<b>Repair Cost:</b>	\$100,592.74	
<b>AAC:</b>	C	
<b>Surplus Available:</b>	0	
<b>QPA/APPL Rate:</b>	1	100
<b>Replacement Rate:</b>	53	



Out Year Requirements: BUY									
<b>FY21:</b>	0	<b>FY22:</b>	0	<b>FY23:</b>	0	<b>FY24:</b>	0	<b>FY25:</b>	0

Out Year Requirements: REPAIR									
<b>FY21:</b>	9	<b>FY22:</b>	9	<b>FY23:</b>	9	<b>FY24:</b>	9	<b>FY25:</b>	9

<b>761:</b>	Available	<b>762:</b>	Unavailable
<b>EDL:</b>	Available	<b>RDL:</b>	Unavailable

**COMMENTS**

- Currently no viable long term repair strategy in place
- Tech Data Package requires further development
- SPO requirement to start repairing 9 of each configuration per year starting FY21





# Aircraft Pylon

## Repair Development (OTA)

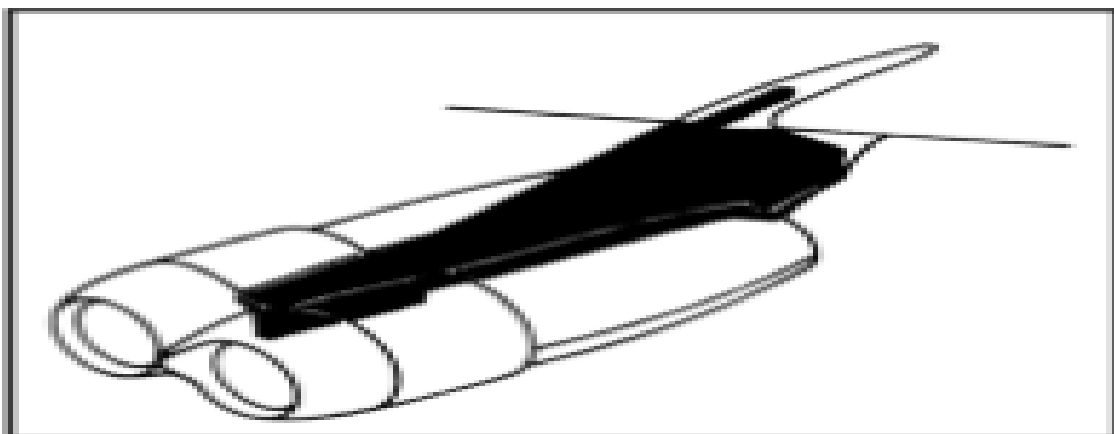
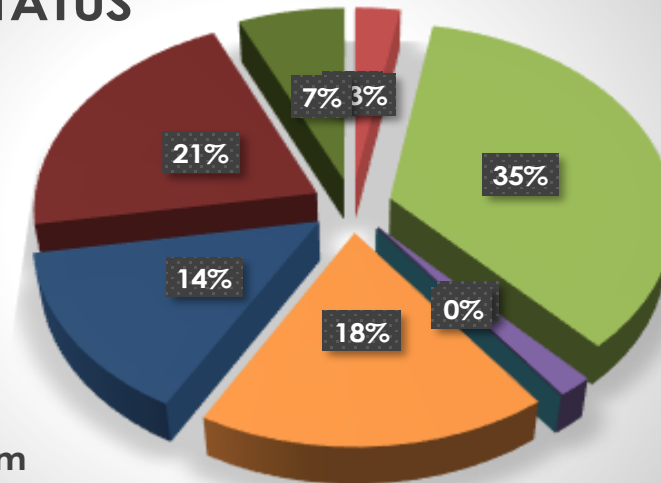
### Tinker AFB – 424 SCMS



AMC/AMSC:	4	C
RMC/RMSC:	N/A	N/A
Material:	Aluminum, Steel and Titanium alloy	
Dimensions:	L 260.00 in. x W 50.00 in. x H 84.00 in. x Wt 1,338.00 lb.	
Criticality Code:	Y	
Drawings Available:	Yes	
Drawing #:	35-8274	
T.O. Available:	No	
T.O. #:	16W6-60-3	
Budget Code:	8	
Drawing Cage Code:	81205	
Mesh File Available:	Unavailable	
Next Higher Asmbly:	B052H	

### HEALTH STATUS

- Obsolete
- Sole Source
- Two or More
- Unknown
- Proprietary
- Logistics
- NA
- Build To Print
- Comn Ind Item



If you would like to participate in the Technical Discussion on **April 27, 2020, at 9:00-10:00 (CST)** provide the following, NLT **April 23, 2020**

[429SCMS.SASPO.Workflow@us.af.mil](mailto:429SCMS.SASPO.Workflow@us.af.mil)

-Company, -Address, -Name(s), -Email(s), -Phone, and, -Your questions for Engineering.



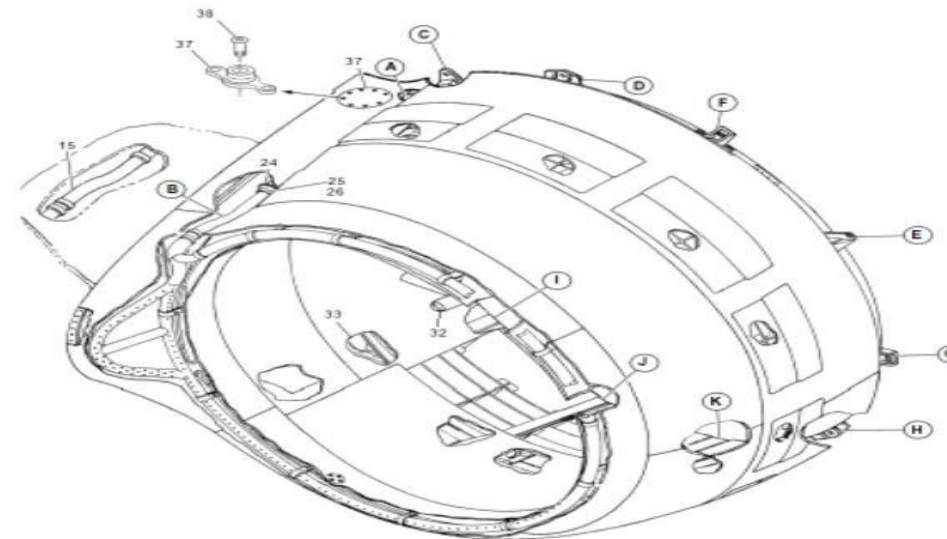
# Nose Cowl Assembly

**Alternate Sourcing – Repair**

Tinker AFB – 424 SCMS



<b>MD:</b>	<b>B-52</b>	
<b>TMS:</b>	<b>N/A</b>	
<b>NOUN:</b>	<b>Nose Cowl Assembly, L/H</b>	
<b>NSN:</b>	<b>1560008569394</b>	
<b>P/N:</b>	<b>35-19764-1</b>	
<b>Buy Price:</b>	<b>\$300,625.26</b>	
<b>Date Last Procured:</b>	<b>12/10/2008</b>	
<b>Repair Cost:</b>	<b>\$49,624.00</b>	
<b>AAC:</b>	<b>C</b>	
<b>Surplus Available:</b>	<b>0</b>	
<b>QPA/APPL Rate:</b>	<b>4</b>	<b>100</b>
<b>Replacement Rate:</b>	<b>77</b>	



Out Year Requirements: BUY					
<b>FY21:</b>	<b>0</b>	<b>FY22:</b>	<b>0</b>	<b>FY23:</b>	<b>0</b>
<b>FY24:</b>	<b>0</b>	<b>FY25:</b>	<b>0</b>		

Out Year Requirements: REPAIR					
<b>FY21:</b>	<b>9</b>	<b>FY22:</b>	<b>9</b>	<b>FY23:</b>	<b>9</b>
<b>FY24:</b>	<b>9</b>	<b>FY25:</b>	<b>9</b>		

<b>761:</b>	<b>Available</b>	<b>762:</b>	<b>Unavailable</b>
<b>EDL:</b>	<b>Available</b>	<b>RDL:</b>	<b>Unavailable</b>

## COMMENTS

- Currently no viable long term repair strategy in place
- Tech Data Package requires further development
- SPO requirement to start repairing 9 of each configuration per year starting FY21



# Nose Cowl Assembly

**Alternate Sourcing – Repair**

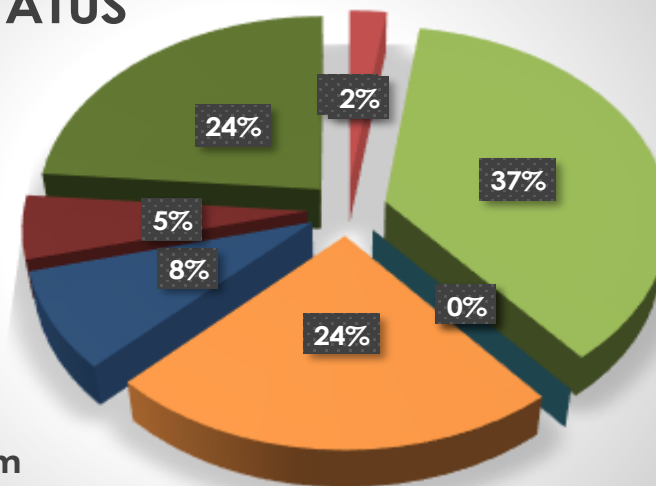
Tinker AFB – 424 SCMS



AMC/AMSC:	1	C
RMC/RMSC:	N/A	N/A
Material:	Aluminium alloy	
Dimensions:	L 60.0 in X W 55.0 in X H 45.0 in; Wt 80.0 lb.	
Criticality Code:	X	
Drawings Available:	Yes	
Drawing #:	35-19764	
T.O. Available:	Yes	
T.O. #:	16W9-24-23	
Budget Code:	8	
Drawing Cage Code:	81205	
Mesh File Available:	Unavailable	
Next Higher Asmbly:	B052H	

## HEALTH STATUS

- Obsolete
- Sole Source
- Two or More
- Unknown
- Proprietary
- Logistics
- NA
- Build To Print
- Comn Ind Item



If you would like to participate in the Technical Discussion on

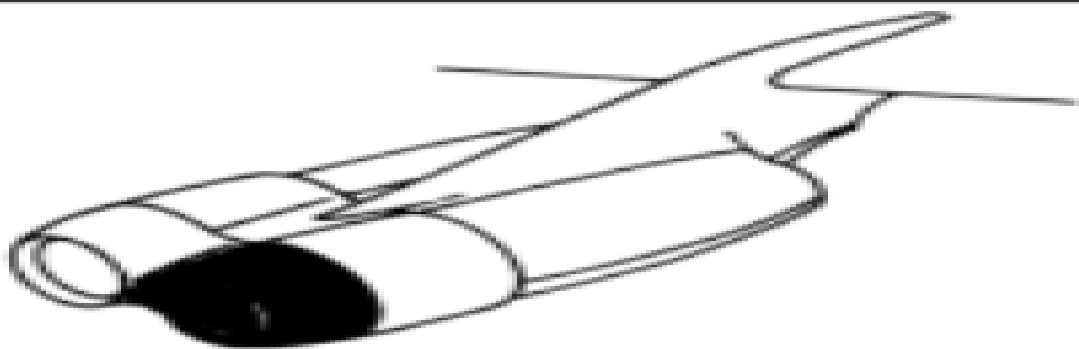
**April 27, 2020, at 9:00-10:00 (CST)**

provide the following, NLT

**April 23, 2020**

[429SCMS.SASPO.Workflow@us.af.mil](mailto:429SCMS.SASPO.Workflow@us.af.mil)

- Company, -Address, -Name(s), -Email(s), -Phone, and,
- Your questions for Engineering.





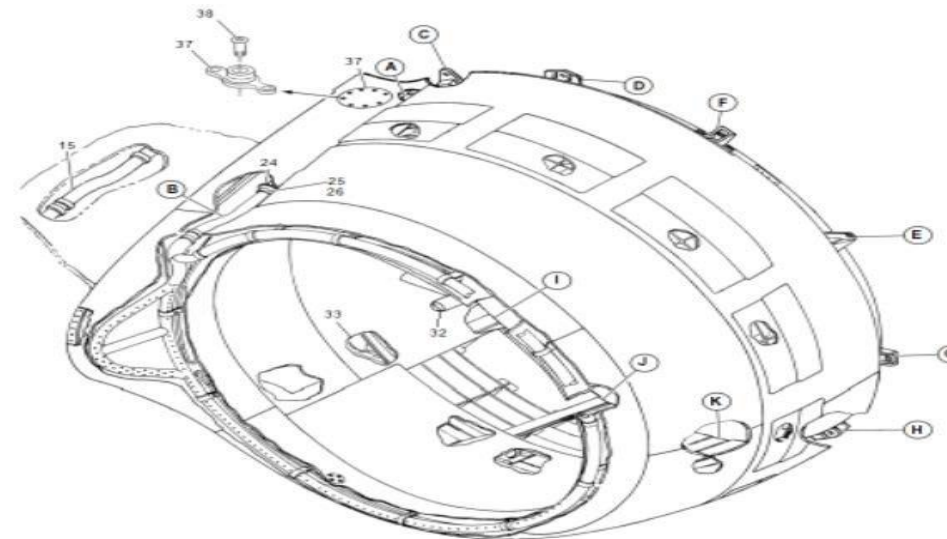
# Nose Cowl Assembly

Alternate Sourcing – Repair

Tinker AFB – 424 SCMS



MD:	B-52	
TMS:	N/A	
NOUN:	Nose Cowl, RH	
NSN:	1560008569395	
P/N:	35-19764-2	
Buy Price:	\$246,615.77	
Date Last Procured:	2/18/2009	
Repair Cost:	\$39,059.00	
AAC:	C	
Surplus Available:	2	
QPA/APPL Rate:	4	100
Replacement Rate:	81	



Out Year Requirements: BUY					
FY21:	0	FY22:	2	FY23:	1
FY24:	0	FY25:	0		

Out Year Requirements: REPAIR					
FY21:	9	FY22:	9	FY23:	9
FY24:	9	FY25:	9		

761:	Available	762:	Unavailable
EDL:	Available	RDL:	Unavailable

## COMMENTS

- Currently no viable long term repair strategy in place
- Tech Data Package requires further development
- SPO requirement to start repairing 9 of each configuration per year starting FY21





# Nose Cowl Assembly

## Alternate Sourcing – Repair

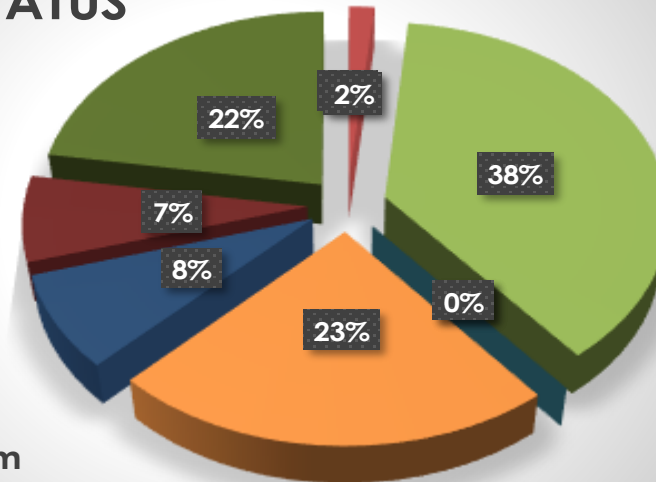
### Tinker AFB – 424 SCMS



AMC/AMSC:	1	C
RMC/RMSC:	N/A	N/A
Material:	Aluminium alloy skins, Steel Parts	
Dimensions:	L 60.0 in X W 55.0 in X H 45.0 in; Wt. 80.0 Lb	
Criticality Code:	X	
Drawings Available:	Yes	
Drawing #:	35-19764	
T.O. Available:	Yes	
T.O. #:	16W9-24-23	
Budget Code:	8	
Drawing Cage Code:	81205	
Mesh File Available:	Unavailable	
Next Higher Asmbly:	B052H	

## HEALTH STATUS

- Obsolete
- Sole Source
- Two or More
- Unknown
- Proprietary
- Logistics
- NA
- Build To Print
- Comn Ind Item



If you would like to participate in the Technical Discussion on

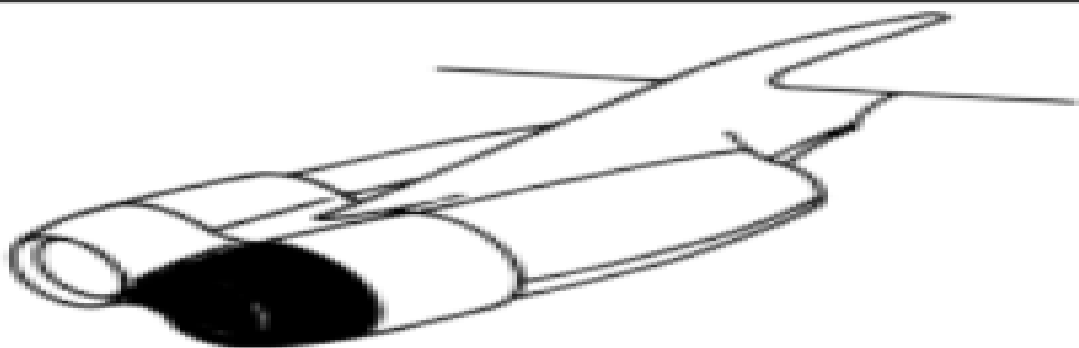
**April 27, 2020, at 9:00-10:00 (CST)**

provide the following, NLT

**April 23, 2020**

[429SCMS.SASPO.Workflow@us.af.mil](mailto:429SCMS.SASPO.Workflow@us.af.mil)

- Company, -Address, -Name(s), -Email(s), -Phone, and,
- Your questions for Engineering.





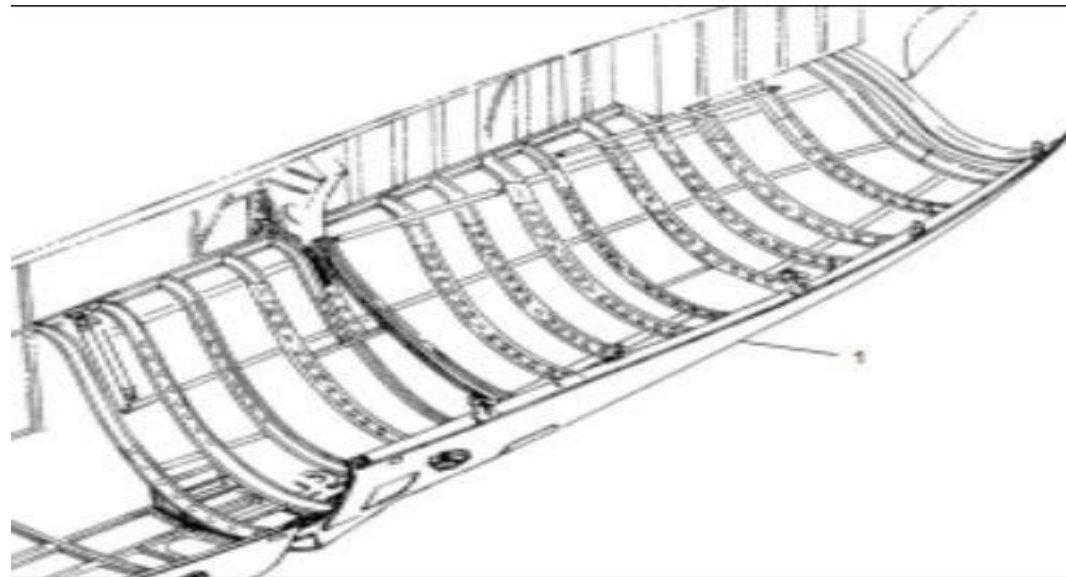
# Nose Cowl Assembly

## Alternate Sourcing – Repair

Tinker AFB – 424 SCMS



MD:	B-52	
TMS:	N/A	
NOUN:	Engine Nose Cowling, Lower LH	
NSN:	1560006152539	
P/N:	35-31465-1	
Buy Price:	\$220,514.12	
Date Last Procured:	12/10/2019	
Repair Cost:	\$77,786.00	
AAC:	C	
Surplus Available:	2	
QPA/APPL Rate:	4	100
Replacement Rate:	15	



Out Year Requirements: BUY					
FY21:	0	FY22:	0	FY23:	0
FY24:	0	FY25:	0		

Out Year Requirements: REPAIR					
FY21:	9	FY22:	9	FY23:	9
FY24:	9	FY25:	9		

761:	Available	762:	Available
EDL:	Available	RDL:	Unavailable

### COMMENTS

- Currently no viable long term repair strategy in place
- Tech Data Package requires further development
- SPO requirement to start repairing 9 of each configuration per year starting FY21



# Nose Cowl Assembly

## Alternate Sourcing – Repair

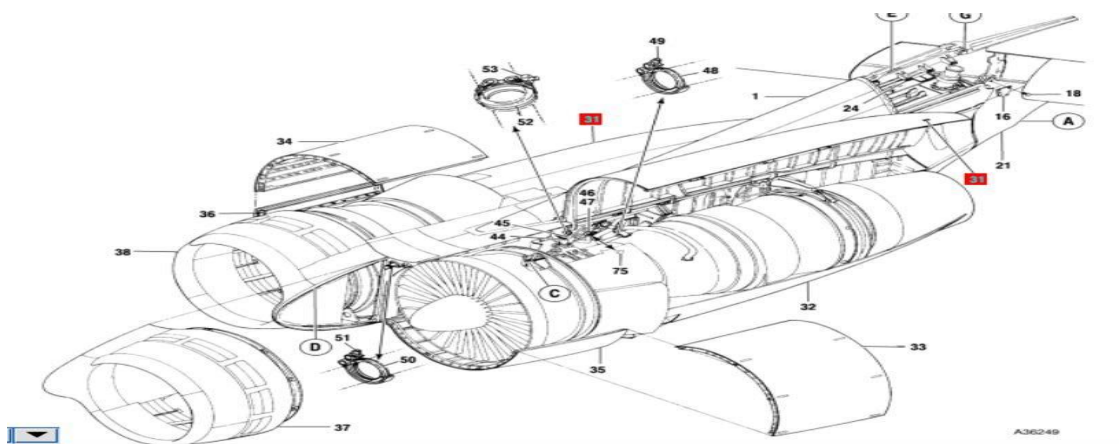
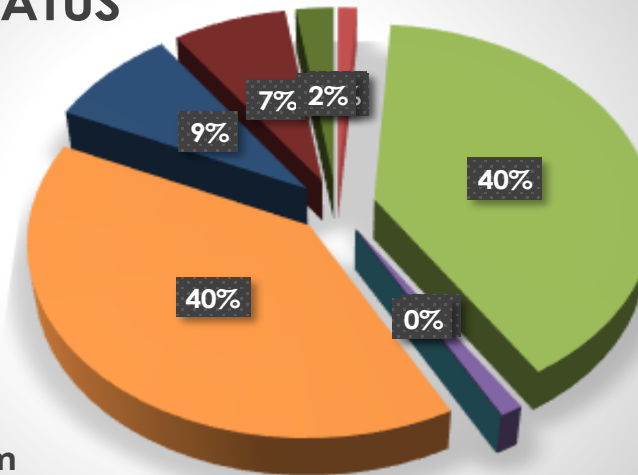
### Tinker AFB – 424 SCMS



AMC/AMSC:	1	C
RMC/RMSC:	2	C
Material:	ALUMINUM/ STEEL	
Dimensions:	L 12.0 Ft X W 6.0 Ft X H 4.0Ft; Wt 125.0 Lbs	
Criticality Code:	X	
Drawings Available:	Yes	
Drawing #:	35-31465	
T.O. Available:	Yes	
T.O. #:	16W9-24-23	
Budget Code:	8	
Drawing Cage Code:	82918	
Mesh File Available:	Unavailable	
Next Higher Assembly	B052H	

## HEALTH STATUS

- Obsolete
- Sole Source
- Two or More
- Unknown
- Proprietary
- Logistics
- NA
- Build To Print
- Comn Ind Item



If you would like to participate in the Technical Discussion on

**April 27, 2020, at 9:00-10:00 (CST)**

provide the following, NLT

**April 23, 2020**

[429SCMS.SASPO.Workflow@us.af.mil](mailto:429SCMS.SASPO.Workflow@us.af.mil)

- Company, -Address, -Name(s), -Email(s), -Phone, and,
- Your questions for Engineering.



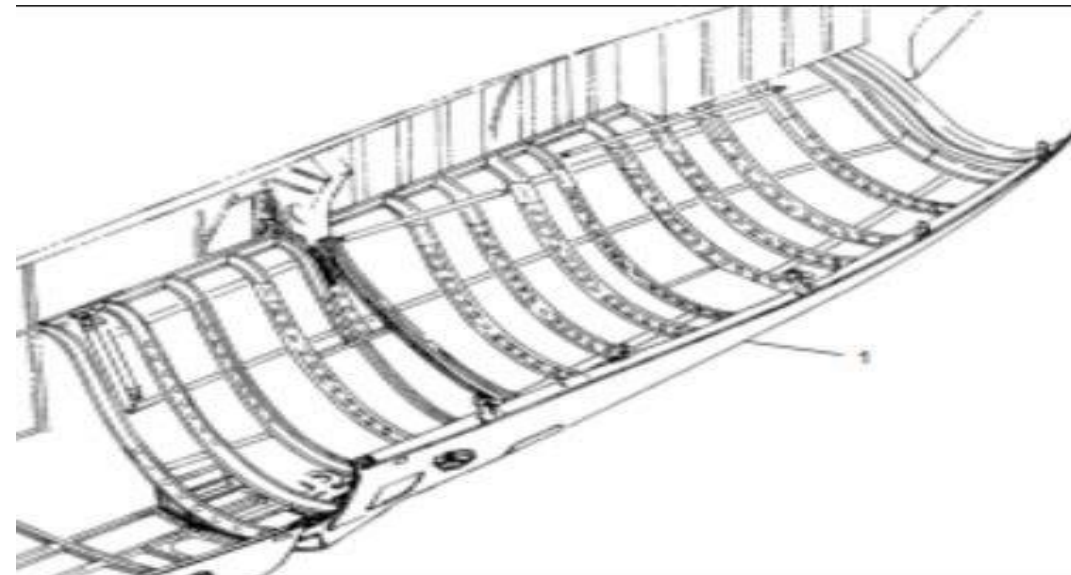
# Nose Cowl Assembly

## Alternate Sourcing – Repair

Tinker AFB – 424 SCMS



<b>MD:</b>	B-52	
<b>TMS:</b>	N/A	
<b>NOUN:</b>	Nose Cowl, Lower RH	
<b>NSN:</b>	1560006183881	
<b>P/N:</b>	35-31466-1	
<b>Buy Price:</b>	\$212,546.52	
<b>Date Last Procured:</b>	11/22/2005	
<b>Repair Cost:</b>	\$64,544.00	
<b>AAC:</b>	C	
<b>Surplus Available:</b>	2	
<b>QPA/APPL Rate:</b>	4	100
<b>Replacement Rate:</b>	8	



Out Year Requirements: BUY									
<b>FY20:</b>	0	<b>FY21:</b>	0	<b>FY22:</b>	0	<b>FY23:</b>	0	<b>FY24:</b>	0

Out Year Requirements: REPAIR									
<b>FY20:</b>	9	<b>FY21:</b>	9	<b>FY22:</b>	9	<b>FY23:</b>	9	<b>FY24:</b>	9

<b>761:</b>	Available	<b>762:</b>	Unavailable
<b>EDL:</b>	Available	<b>RDL:</b>	Unavailable

### COMMENTS

- Currently no viable long term repair strategy in place
- Tech Data Package requires further development
- SPO requirement to start repairing 9 of each configuration per year starting FY21





# Nose Cowl Assembly

## Alternate Sourcing – Repair

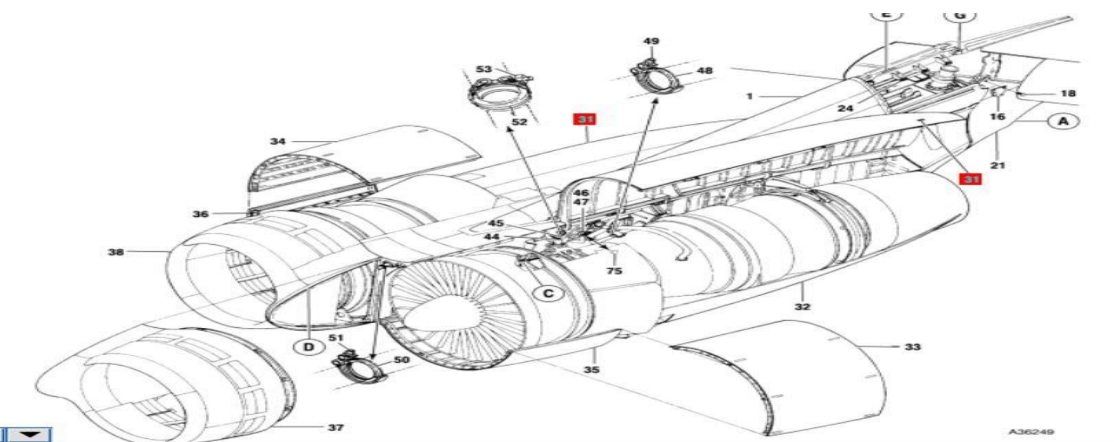
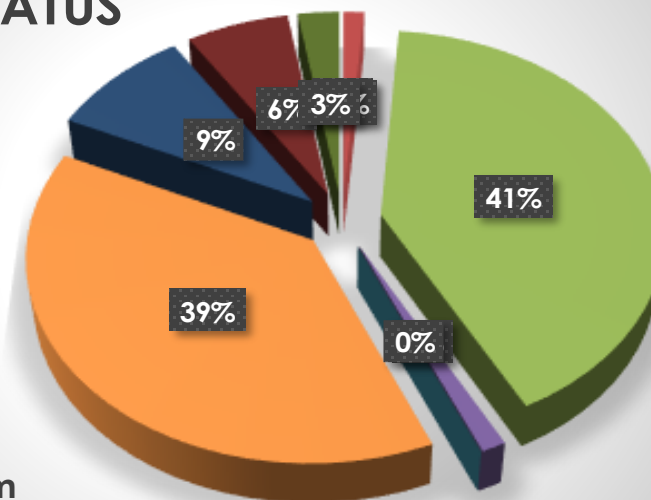
### Tinker AFB – 424 SCMS



AMC/AMSC:	1	C
RMC/RMSC:	N/A	N/A
Material:	ALUMINUM/ STEEL	
Dimensions:	L 12.0 Ft X W 6.0 Ft X H 4.0Ft; Wt 125.0 Lbs	
Criticality Code:	X	
Drawings Available:	Yes	
Drawing #:	35-31466	
T.O. Available:	No	
T.O. #:	16W9-24-13	
Budget Code:	8	
Drawing Cage Code:	82918	
Mesh File Available:	Unavailable	
Next Higher Asmbly:	B052H	

## HEALTH STATUS

- Obsolete
- Sole Source
- Two or More
- Unknown
- Proprietary
- Logistics
- NA
- Build To Print
- Comn Ind Item



If you would like to participate in the Technical Discussion on

**April 27, 2020, at 9:00-10:00 (CST)**

provide the following, NLT

**April 23, 2020**

[429SCMS.SASPO.Workflow@us.af.mil](mailto:429SCMS.SASPO.Workflow@us.af.mil)

- Company, -Address, -Name(s), -Email(s), -Phone, and,
- Your questions for Engineering.



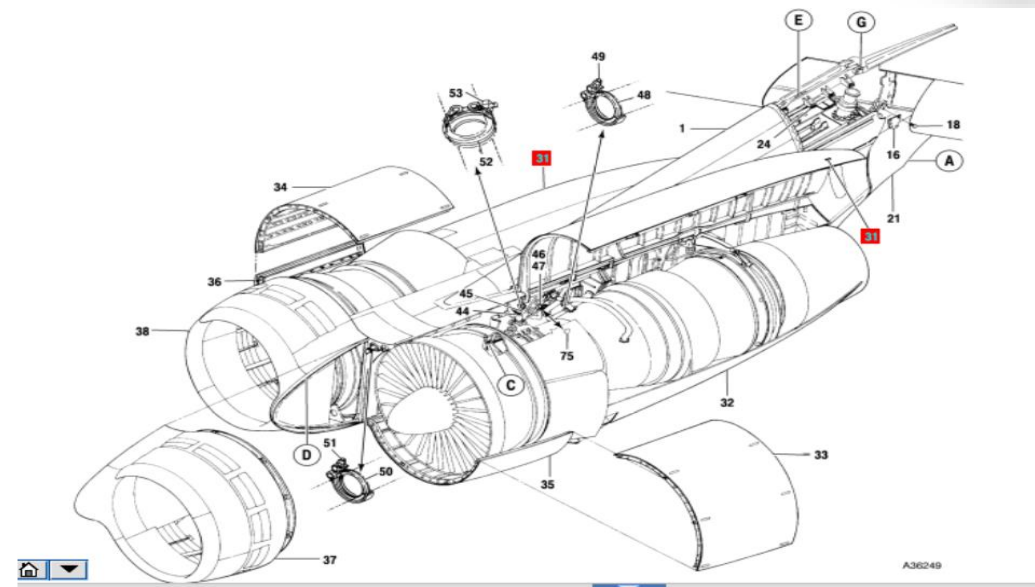
# Nose Cowling

## Alternate Sourcing – Repair

### Tinker AFB – 424 SCMS



MD:	B-52	
TMS:	N/A	
NOUN:	Nose Cowl	
NSN:	1560007980902	
P/N:	35-10701-2001	
Buy Price:	\$163,429.99	
Date Last Procured:	11/22/2005	
Repair Cost:	\$35,773.00	
AAC:	A	
Surplus Available:	2	
QPA/APPL Rate:	4	100
Replacement Rate:	23	



Out Year Requirements: BUY									
FY21:	0	FY22:	0	FY23:	0	FY24:	0	FY25:	0

Out Year Requirements: REPAIR									
FY21:	9	FY22:	9	FY23:	9	FY24:	9	FY25:	9

761:	Available	762:	Unavailable
EDL:	Available	RDL:	Unavailable

**COMMENTS**

- Currently no viable long term repair strategy in place
- Tech Data Package requires further development
- SPO requirement to start repairing 9 of each configuration per year starting FY21



# Nose Cowling

## Alternate Sourcing – Repair

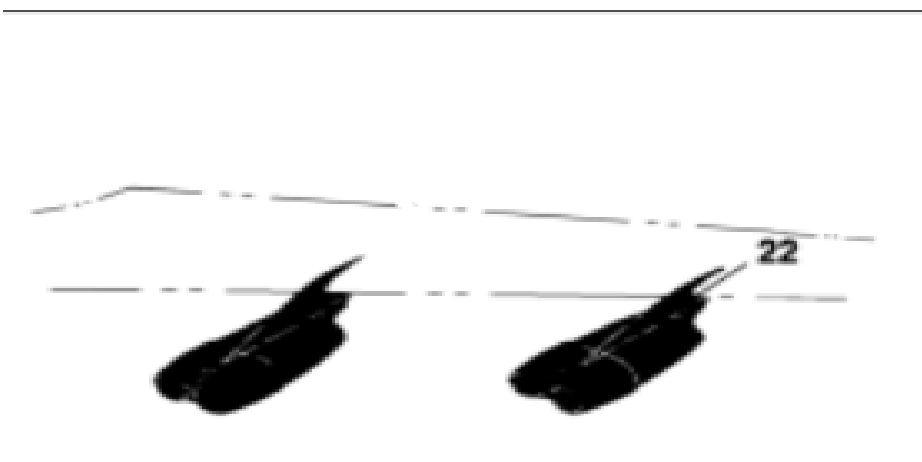
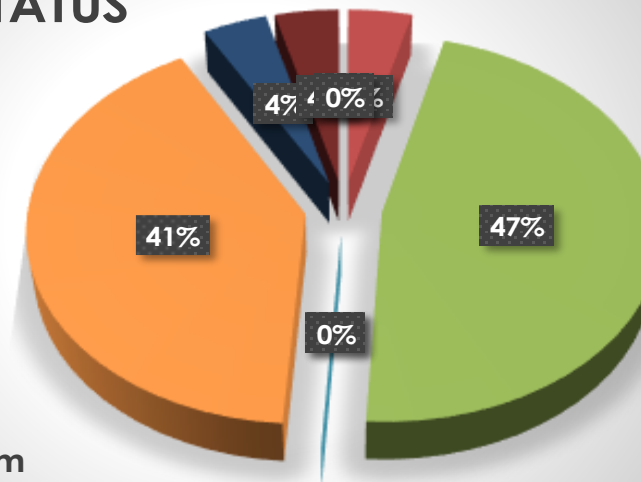
### Tinker AFB – 424 SCMS



AMC/AMSC:	1	C
RMC/RMSC:	N/A	N/A
Material:	ALUMINUM/ STEEL	
Dimensions:	Unknown	
Criticality Code:	X	
Drawings Available:	Yes	
Drawing #:	35-10701	
T.O. Available:	Yes	
T.O. #:	16W9-24-23	
Budget Code:	8	
Drawing Cage Code:	81205	
Mesh File Available:	Unavailable	
Next Higher Asmbly:	B052H	

### HEALTH STATUS

- Obsolete
- Sole Source
- Two or More
- Unknown
- Proprietary
- Logistics
- NA
- Build To Print
- Comn Ind Item



If you would like to participate in the Technical Discussion on  
**April 27, 2020, at 9:00-10:00 (CST)**  
 provide the following, NLT  
**April 23, 2020**  
[429SCMS.SASPO.Workflow@us.af.mil](mailto:429SCMS.SASPO.Workflow@us.af.mil)  
 -Company, -Address, -Name(s), -Email(s), -Phone, and,  
 -Your questions for Engineering.



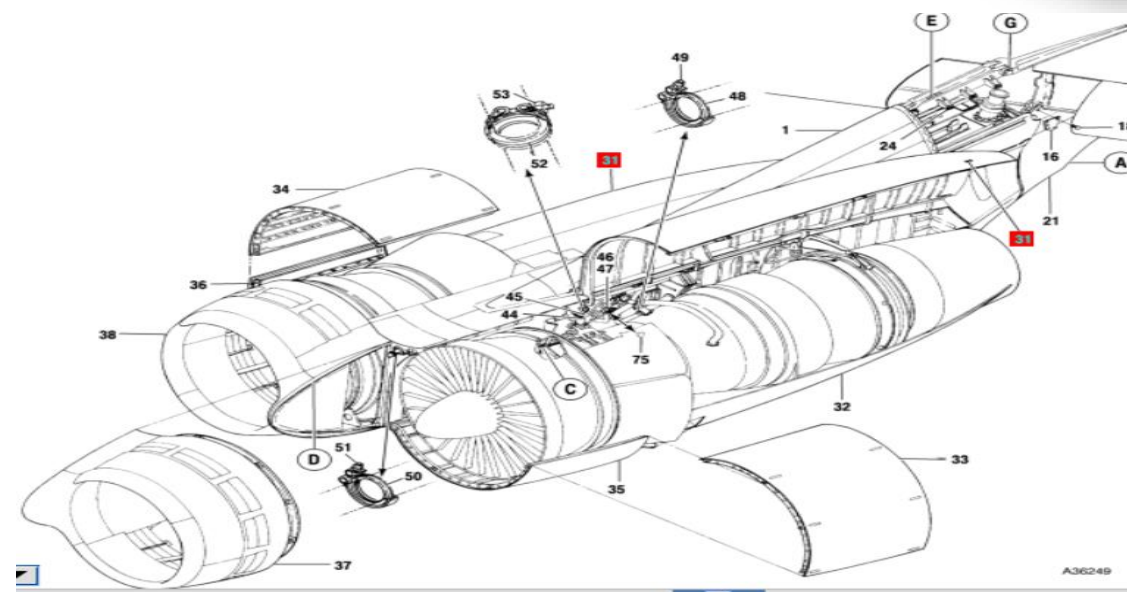
# Nose Cowling

## Alternate Sourcing – Repair

### Tinker AFB – 424 SCMS



MD:	B-52	
TMS:	N/A	
NOUN:	Nose Cowl	
NSN:	1560007980903	
P/N:	35-10701-2002	
Buy Price:	\$161,543.20	
Date Last Procured:	11/22/2005	
Repair Cost:	\$67,594.00	
AAC:	C	
Surplus Available:	2	
QPA/APPL Rate:	4	100
Replacement Rate:	34	



Out Year Requirements: BUY					
FY21:	0	FY22:	0	FY23:	0
FY24:	0	FY25:	0		

Out Year Requirements: REPAIR					
FY21:	9	FY22:	9	FY23:	9
FY24:	9	FY25:	9		

761:	Available	762:	Unavailable
EDL:	Available	RDL:	Unavailable

**COMMENTS**

- Currently no viable long term repair strategy in place
- Tech Data Package requires further development
- SPO requirement to start repairing 9 of each configuration per year starting FY21





# Nose Cowling

## Alternate Sourcing – Repair

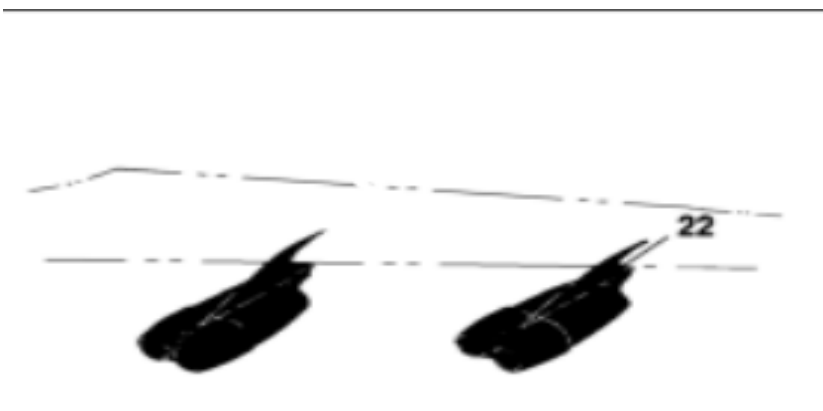
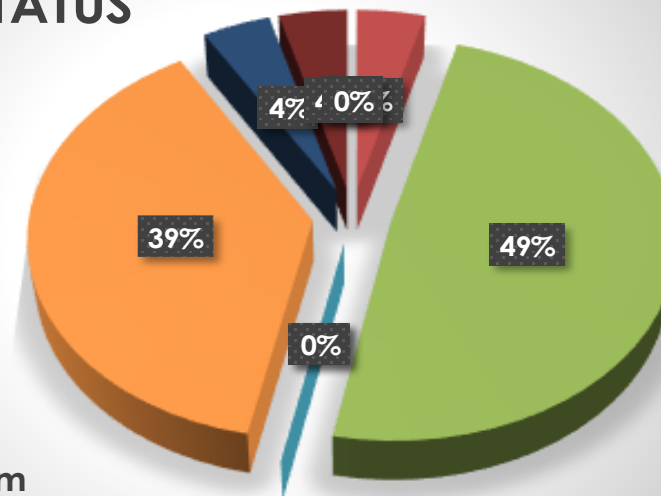
### Tinker AFB – 424 SCMS



AMC/AMSC:	1	C
RMC/RMSC:	N/A	N/A
Material:	ALUMINUM/ STEEL	
Dimensions:	Unknown	
Criticality Code:	X	
Drawings Available:	Yes	
Drawing #:	35-10701	
T.O. Available:	Yes	
T.O. #:	16W9-24-23	
Budget Code:	8	
Drawing Cage Code:	81205	
Mesh File Available:	Unavailable	
Next Higher Asmbly:	B052H	

### HEALTH STATUS

- Obsolete
- Sole Source
- Two or More
- Unknown
- Proprietary
- Logistics
- NA
- Build To Print
- Comn Ind Item



If you would like to participate in the Technical Discussion on **April 27, 2020, at 9:00-10:00 (CST)** provide the following, NLT **April 23, 2020**

[429SCMS.SASPO.Workflow@us.af.mil](mailto:429SCMS.SASPO.Workflow@us.af.mil)

-Company, -Address, -Name(s), -Email(s), -Phone, and, -Your questions for Engineering.





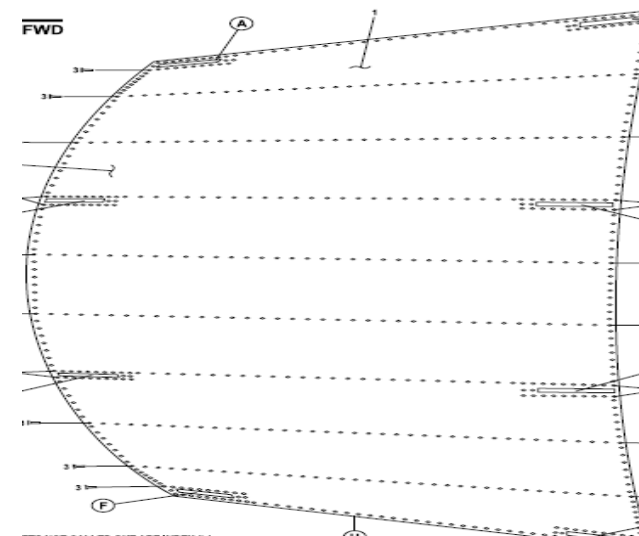
# Nose Cowling

## Alternate Sourcing – Repair

### Tinker AFB – 424 SCMS



<b>MD:</b>	B-52	
<b>TMS:</b>	N/A	
<b>NOUN:</b>	Nose Cowl	
<b>NSN:</b>	1560008567981	
<b>P/N:</b>	35-19780-501	
<b>Buy Price:</b>	\$65,259.38	
<b>Date Last Procured:</b>	11/22/2005	
<b>Repair Cost:</b>	\$24,676.00	
<b>AAC:</b>	C	
<b>Surplus Available:</b>	0	
<b>QPA/APPL Rate:</b>	4	100
<b>Replacement Rate:</b>	17	



Out Year Requirements: BUY									
FY21:	0	FY22:	0	FY23:	0	FY24:	0	FY25:	0

Out Year Requirements: REPAIR									
FY21:	9	FY22:	9	FY23:	9	FY24:	9	FY25:	9

<b>761:</b>	Available	<b>762:</b>	Unavailable
<b>EDL:</b>	Available	<b>RDL:</b>	Unavailable

## COMMENTS

- Currently no viable long term repair strategy in place
- Tech Data Package requires further development
- SPO requirement to start repairing 9 of each configuration per year starting FY21



# Nose Cowling

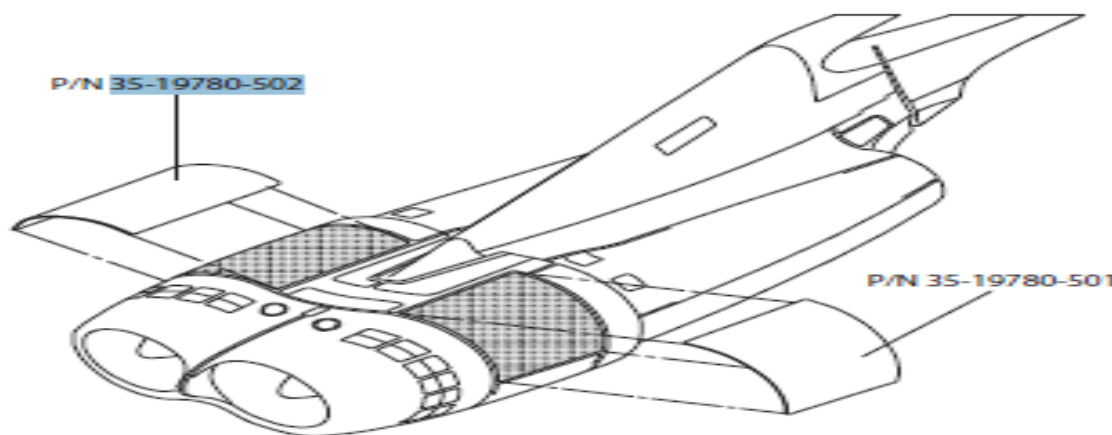
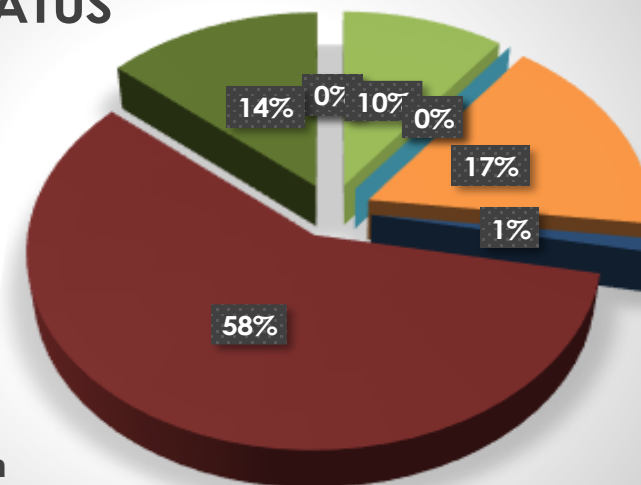
## Alternate Sourcing – Repair

### Tinker AFB – 424 SCMS

AMC/AMSC:	1	C
RMC/RMSC:	N/A	N/A
Material:	ALUMINUM/ STEEL	
Dimensions:	L 60.0 in X W 70.0 in X 70.0; Wt 75.0 lb	
Criticality Code:	X	
Drawings Available:	Yes	
Drawing #:	35-19780	
T.O. Available:	Yes	
T.O. #:	16W9-24-3	
Budget Code:	8	
Drawing Cage Code:	81205	
Mesh File Available:	Unavailable	
Next Higher Asmbly:	B052H	

### HEALTH STATUS

- Obsolete
- Sole Source
- Two or More
- Unknown
- Proprietary
- Logistics
- NA
- Build To Print
- Comn Ind Item



If you would like to participate in the Technical Discussion on **April 27, 2020, at 9:00-10:00 (CST)** provide the following, NLT **April 23, 2020**

[429SCMS.SASPO.Workflow@us.af.mil](mailto:429SCMS.SASPO.Workflow@us.af.mil)

-Company, -Address, -Name(s), -Email(s), -Phone, and, -Your questions for Engineering.



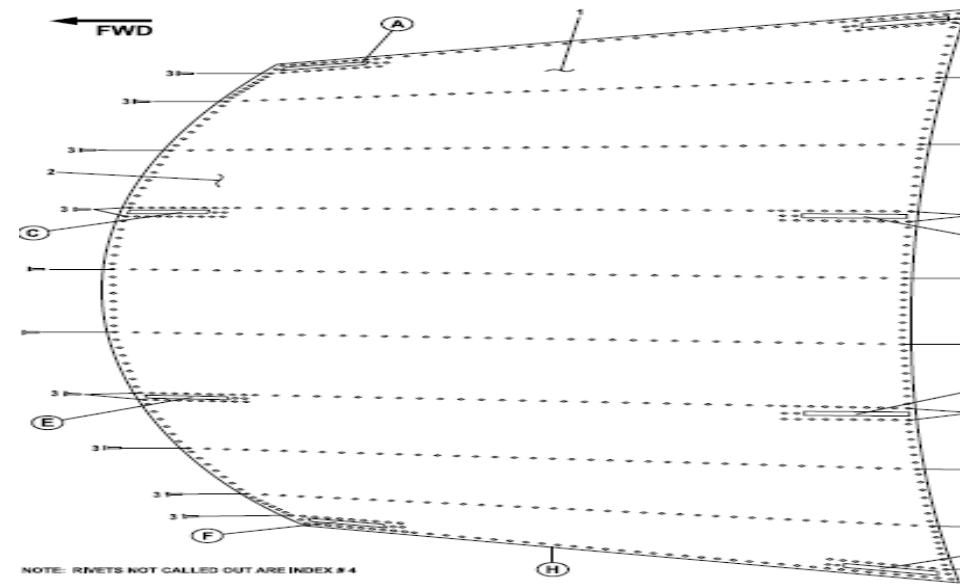
# Nose Cowling

## Alternate Sourcing – Repair

### Tinker AFB – 424 SCMS



MD:	B-52	
TMS:	N/A	
NOUN:	Nose Cowl	
NSN:	1560008567982	
P/N:	35-19780-502	
Buy Price:	\$36,012.16	
Date Last Procured:	11/22/2005	
Repair Cost:	\$26,740.00	
AAC:	C	
Surplus Available:	0	
QPA/APPL Rate:	4	100
Replacement Rate:	19	



Out Year Requirements: BUY					
FY21:	0	FY22:	0	FY23:	0
FY24:	0	FY25:	0		

Out Year Requirements: REPAIR					
FY21:	9	FY22:	9	FY23:	9
FY24:	9	FY25:	9		

761:	Available	762:	Unavailable
EDL:	Available	RDL:	Unavailable

**COMMENTS**

- Currently no viable long term repair strategy in place
- Tech Data Package requires further development
- SPO requirement to start repairing 9 of each configuration per year starting FY21



# Nose Cowling

## Alternate Sourcing – Repair

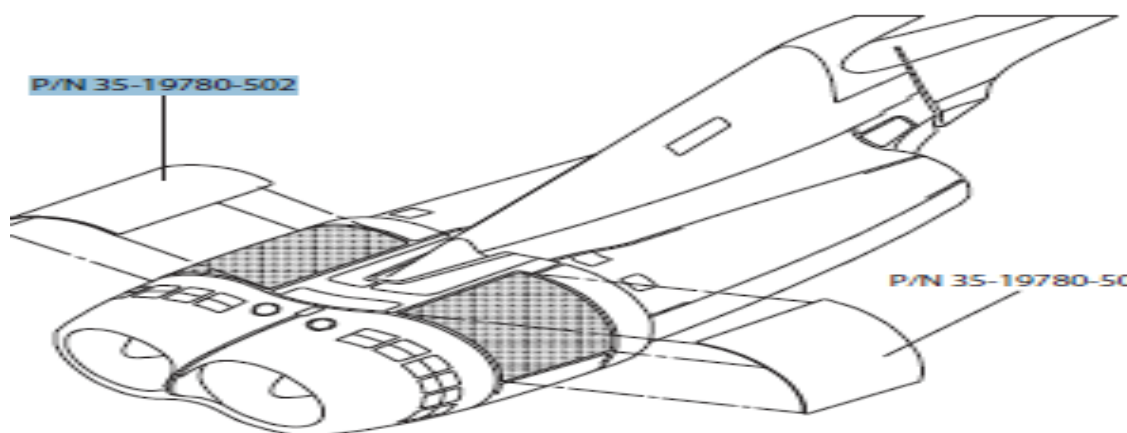
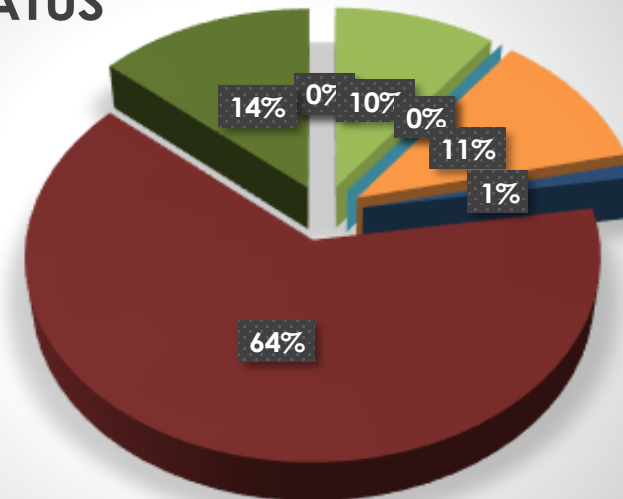
### Tinker AFB – 424 SCMS



AMC/AMSC:	1	C
RMC/RMSC:	N/A	N/A
Material:	ALUMINUM/ STEEL	
Dimensions:	L 60.0 in X W 70.0 in X 70.0; Wt 75.0 Lb	
Criticality Code:	X	
Drawings Available:	Yes	
Drawing #:	3519780	
T.O. Available:	Yes	
T.O. #:	16W9-24-3	
Budget Code:	8	
Drawing Cage Code:	81205	
Mesh File Available:	Unavailable	
Next Higher Asmbly:	B052H	

### HEALTH STATUS

- Obsolete
- Sole Source
- Two or More
- Unknown
- Proprietary
- Logistics
- NA
- Build To Print
- Comn Ind Item



If you would like to participate in the Technical Discussion on **April 27, 2020, at 9:00-10:00 (CST)** provide the following, NLT **April 23, 2020**

[429SCMS.SASPO.Workflow@us.af.mil](mailto:429SCMS.SASPO.Workflow@us.af.mil)

-Company, -Address, -Name(s), -Email(s), -Phone, and, -Your questions for Engineering.



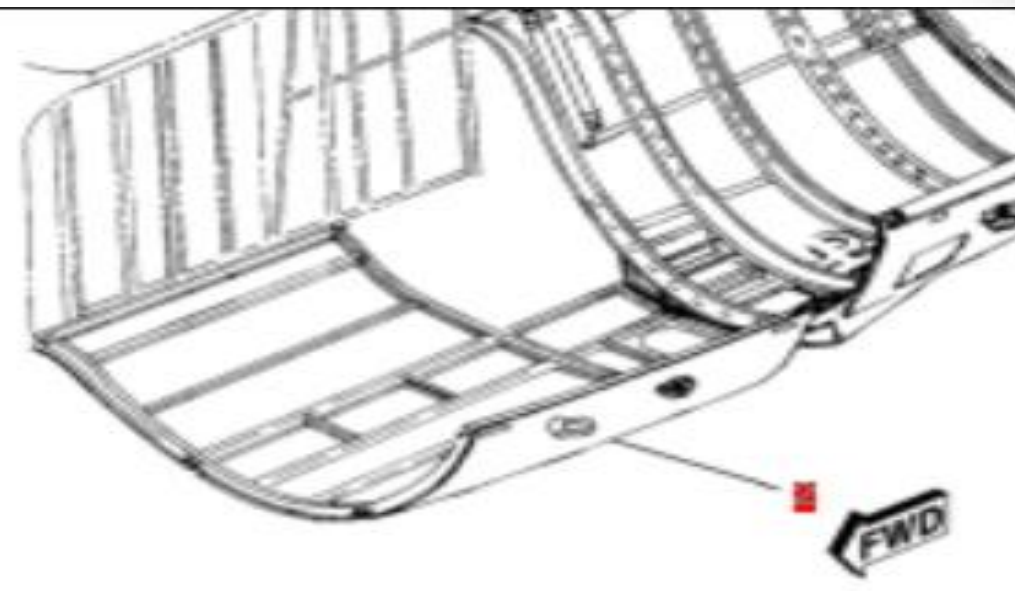
# Nose Cowling

## Alternate Sourcing – Repair

### Tinker AFB – 424 SCMS



<b>MD:</b>	B-52	
<b>TMS:</b>	N/A	
<b>NOUN:</b>	Nose Cowl	
<b>NSN:</b>	1560008567983	
<b>P/N:</b>	35-19780-503	
<b>Buy Price:</b>	\$50,440.21	
<b>Date Last Procured:</b>	11/22/2005	
<b>Repair Cost:</b>	\$30,818.00	
<b>AAC:</b>	C	
<b>Surplus Available:</b>	0	
<b>QPA/APPL Rate:</b>	4	100
<b>Replacement Rate:</b>	36	



Out Year Requirements: BUY									
<b>FY21:</b>	0	<b>FY22:</b>	0	<b>FY23:</b>	0	<b>FY24:</b>	0	<b>FY25:</b>	0

Out Year Requirements: REPAIR									
<b>FY21:</b>	9	<b>FY22:</b>	9	<b>FY23:</b>	9	<b>FY24:</b>	9	<b>FY25:</b>	9

<b>761:</b>	Available	<b>762:</b>	Unavailable
<b>EDL:</b>	Available	<b>RDL:</b>	Unavailable

## COMMENTS

- Currently no viable long term repair strategy in place
- Tech Data Package requires further development
- SPO requirement to start repairing 9 of each configuration per year starting FY21





# Nose Cowling

## Alternate Sourcing – Repair

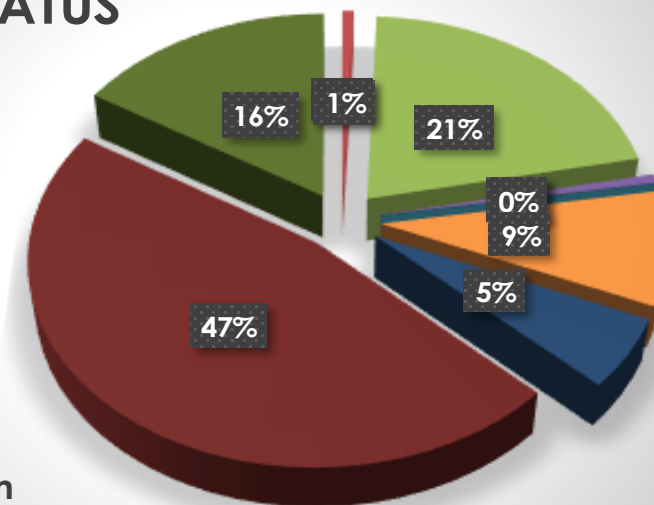
### Tinker AFB – 424 SCMS



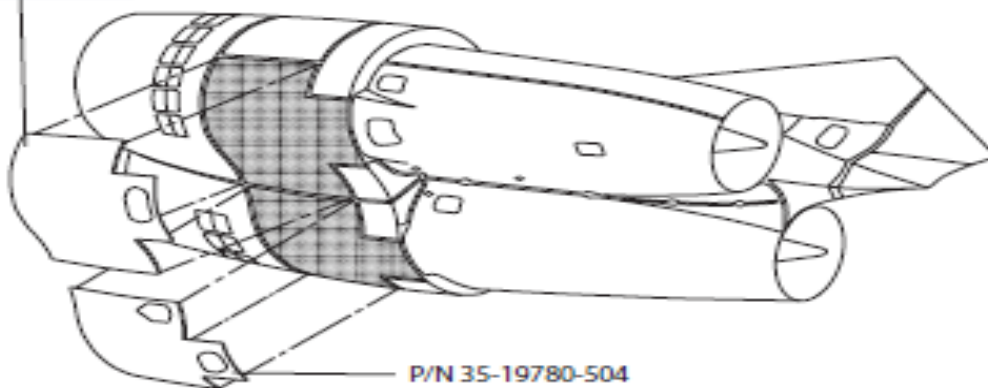
AMC/AMSC:	1	C
RMC/RMSC:	N/A	N/A
Material:	ALUMINUM/ STEEL	
Dimensions:	L 60.0 in X W 70.0 in X 70.0; Wt 75.0 Lb	
Criticality Code:	X	
Drawings Available:	Yes	
Drawing #:	35-19780	
T.O. Available:	Yes	
T.O. #:	16W9-24-3	
Budget Code:	8	
Drawing Cage Code:	81205	
Mesh File Available:	Unavailable	
Next Higher Asmbly:	B052H	

### HEALTH STATUS

- Obsolete
- Sole Source
- Two or More
- Unknown
- Proprietary
- Logistics
- NA
- Build To Print
- Comn Ind Item



P/N 35-19780-503



P/N 35-19780-504

If you would like to participate in the Technical Discussion on

**April 27, 2020, at 9:00-10:00 (CST)**

provide the following, NLT

**April 23, 2020**

[429SCMS.SASPO.Workflow@us.af.mil](mailto:429SCMS.SASPO.Workflow@us.af.mil)

- Company, -Address, -Name(s), -Email(s), -Phone, and,
- Your questions for Engineering.



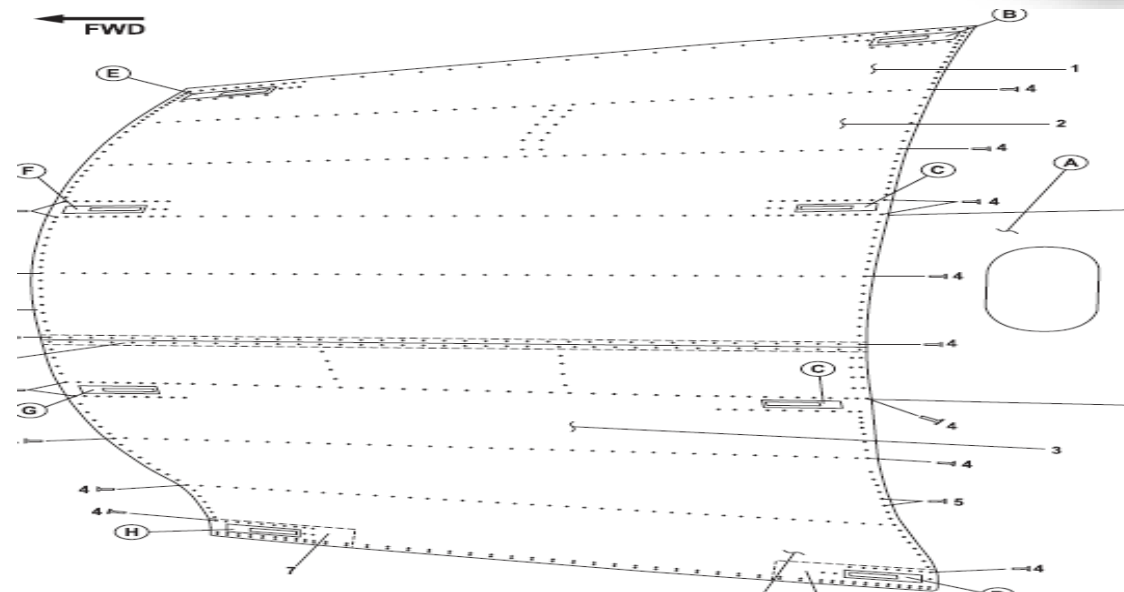
# Nose Cowling

## Alternate Sourcing – Repair

### Tinker AFB – 424 SCMS



<b>MD:</b>	B-52	
<b>TMS:</b>	N/A	
<b>NOUN:</b>	Nose Cowl	
<b>NSN:</b>	1560008567984	
<b>P/N:</b>	35-19780-504	
<b>Buy Price:</b>	\$52,226.36	
<b>Date Last Procured:</b>	11/22/2005	
<b>Repair Cost:</b>	\$26,794.00	
<b>AAC:</b>	C	
<b>Surplus Available:</b>	0	
<b>QPA/APPL Rate:</b>	4	100
<b>Replacement Rate:</b>	26	



Out Year Requirements: BUY					
FY21:	0	FY22:	0	FY23:	0
FY24:	0	FY25:	0		

Out Year Requirements: REPAIR					
FY21:	9	FY22:	9	FY23:	9
FY24:	9	FY25:	9		

<b>761:</b>	Available	<b>762:</b>	Unavailable
<b>EDL:</b>	Available	<b>RDL:</b>	Unavailable

**COMMENTS**

- Currently no viable long term repair strategy in place
- Tech Data Package requires further development
- SPO requirement to start repairing 9 of each configuration per year starting FY21



# Nose Cowling

## Alternate Sourcing – Repair

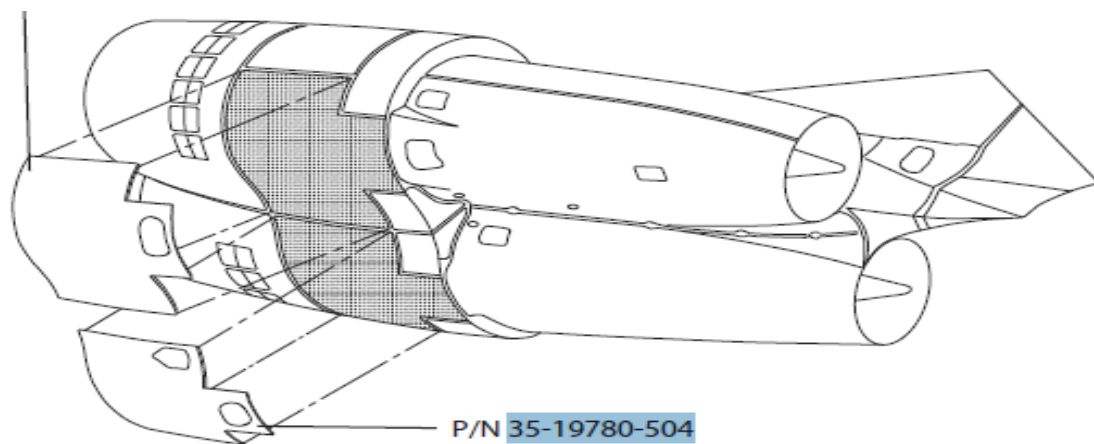
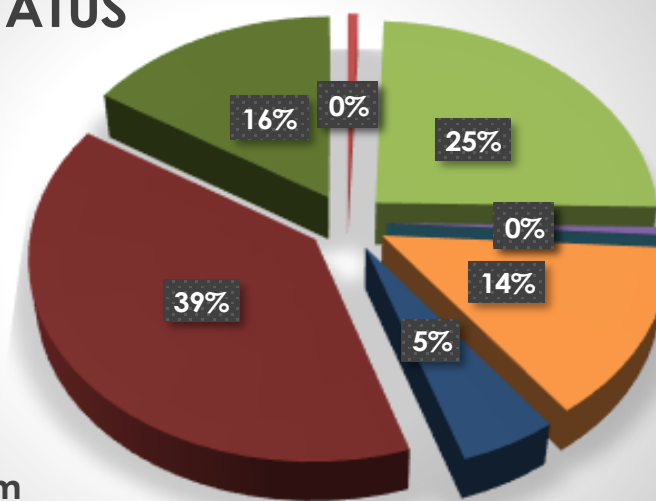
### Tinker AFB – 424 SCMS



AMC/AMSC:	1	C
RMC/RMSC:	N/A	N/A
Material:	ALUMINUM/ STEEL	
Dimensions:	Unknown	
Criticality Code:	X	
Drawings Available:	Yes	
Drawing #:	35-19780	
T.O. Available:	Yes	
T.O. #:	16W9-24-3	
Budget Code:	8	
Drawing Cage Code:	81205	
Mesh File Available:	Unavailable	
Next Higher Asmbly:	B052H	

### HEALTH STATUS

- Obsolete
- Sole Source
- Two or More
- Unknown
- Proprietary
- Logistics
- NA
- Build To Print
- Comn Ind Item



If you would like to participate in the Technical Discussion on **April 27, 2020, at 9:00-10:00 (CST)** provide the following, NLT **April 23, 2020**

[429SCMS.SASPO.Workflow@us.af.mil](mailto:429SCMS.SASPO.Workflow@us.af.mil)

-Company, -Address, -Name(s), -Email(s), -Phone, and, -Your questions for Engineering.



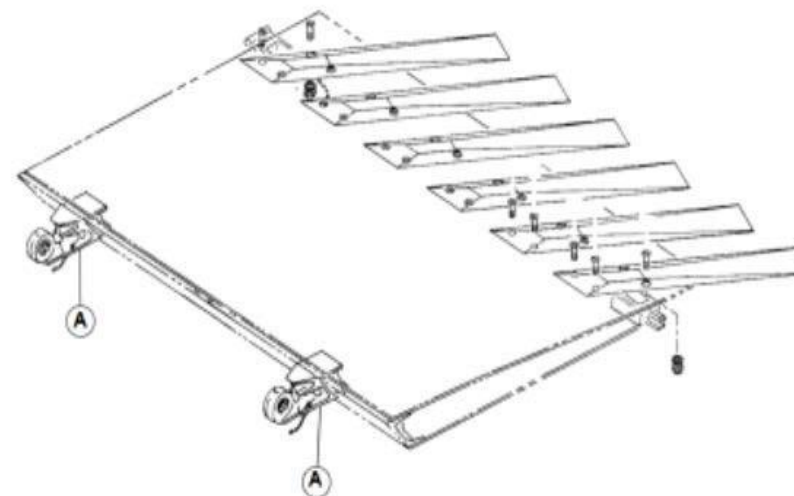
# Wing Spoiler, No 2 & 13

**Alternate Sourcing – Repair**

Tinker AFB – 424 SCMS



<b>MD:</b>	B-52	
<b>TMS:</b>	N/A	
<b>NOUN:</b>	Wing Spoiler, No. 2 & No. 13	
<b>NSN:</b>	1560008976849	
<b>P/N:</b>	35-2685-701	
<b>Buy Price:</b>	\$426,357.70	
<b>Date Last Procured:</b>	7/24/1984	
<b>Repair Cost:</b>	\$28,195.00	
<b>AAC:</b>	C	
<b>Surplus Available:</b>	5	
<b>QPA/APPL Rate:</b>	1	100
<b>Replacement Rate:</b>	41	



Out Year Requirements: BUY									
<b>FY21:</b>	0	<b>FY22:</b>	0	<b>FY23:</b>	0	<b>FY24:</b>	0	<b>FY25:</b>	0

Out Year Requirements: REPAIR									
<b>FY21:</b>	9	<b>FY22:</b>	9	<b>FY23:</b>	9	<b>FY24:</b>	9	<b>FY25:</b>	9

<b>761:</b>	Unavailable	<b>762:</b>	Unavailable
<b>EDL:</b>	Unavailable	<b>RDL:</b>	Unavailable

## COMMENTS

- Currently no viable long term repair strategy in place
- Tech Data Package requires further development
- SPO requirement to start repairing 9 of each configuration per year starting FY21



# Wing Spoiler, No 2 & 13

## Alternate Sourcing – Repair

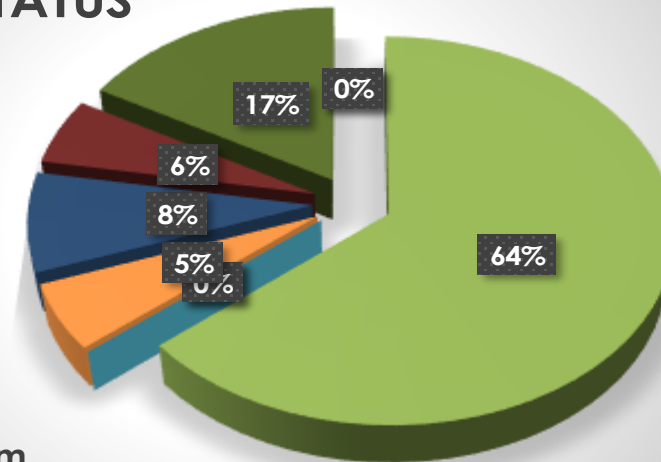
Tinker AFB – 424 SCMS



AMC/AMSC:	N/A	N/A
RMC/RMSC:	N/A	N/A
Material:	Aluminium alloy	
Dimensions:	Unknown	
Criticality Code:	X	
Drawings Available:	Yes	
Drawing #:	35-2685	
T.O. Available:	Yes	
T.O. #:	16W12--31-3	
Budget Code:	8	
Drawing Cage Code:	81205	
Mesh File Available:	Unavailable	
Next Higher Asmbly:	B052H	

### HEALTH STATUS

- Obsolete
- Sole Source
- Two or More
- Unknown
- Proprietary
- Logistics
- NA
- Build To Print
- Comn Ind Item



If you would like to participate in the Technical Discussion on

**April 27, 2020, at 9:00-10:00 (CST)**

provide the following, NLT

**April 23, 2020**

[429SCMS.SASPO.Workflow@us.af.mil](mailto:429SCMS.SASPO.Workflow@us.af.mil)

- Company, -Address, -Name(s), -Email(s), -Phone, and,
- Your questions for Engineering.





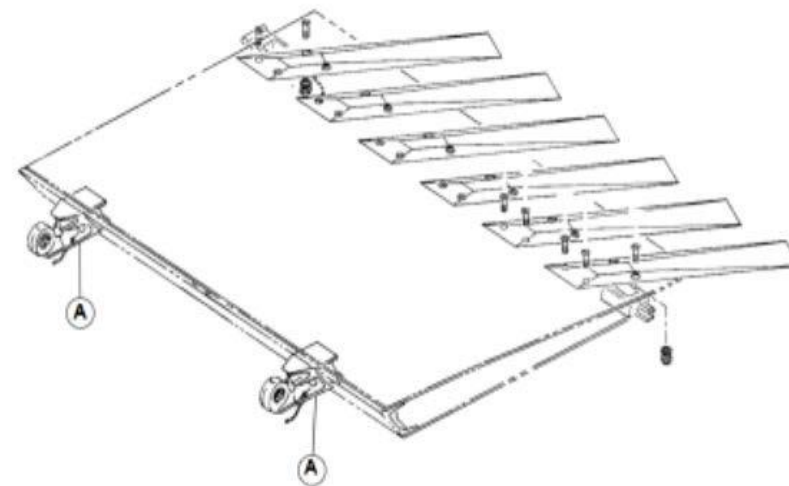
# Spoiler Wing

## Alternate Sourcing – Repair

### Tinker AFB – 424 SCMS



<b>MD:</b>	B-52	
<b>TMS:</b>	N/A	
<b>NOUN:</b>	Spoiler Wing	
<b>NSN:</b>	1560008976850	
<b>P/N:</b>	35-2685-702	
<b>Buy Price:</b>	\$254,086.83	
<b>Date Last Procured:</b>	7/24/1984	
<b>Repair Cost:</b>	\$21,589.00	
<b>AAC:</b>	C	
<b>Surplus Available:</b>	5	
<b>QPA/APPL Rate:</b>	1	100
<b>Replacement Rate:</b>	18	



Out Year Requirements: BUY									
<b>FY21:</b>	0	<b>FY22:</b>	0	<b>FY23:</b>	0	<b>FY24:</b>	0	<b>FY25:</b>	0

Out Year Requirements: REPAIR									
<b>FY21:</b>	9	<b>FY22:</b>	9	<b>FY23:</b>	9	<b>FY24:</b>	9	<b>FY25:</b>	9

<b>761:</b>	Unavailable	<b>762:</b>	Unavailable
<b>EDL:</b>	Unavailable	<b>RDL:</b>	Unavailable

### COMMENTS

- Currently no viable long term repair strategy in place
- Tech Data Package requires further development
- SPO requirement to start repairing 9 of each configuration per year starting FY21



# Spoiler Wing

## Alternate Sourcing – Repair

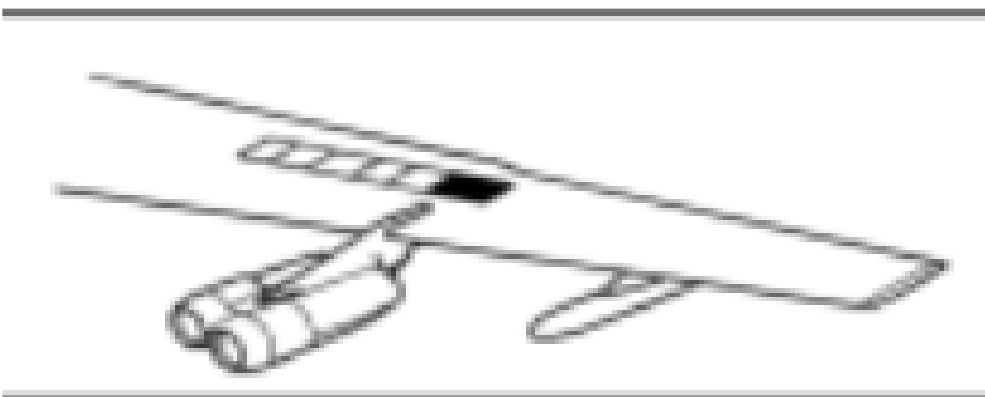
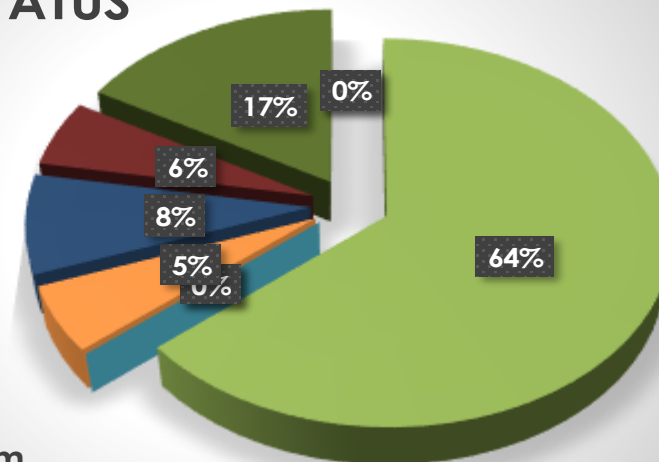
### Tinker AFB – 424 SCMS



AMC/AMSC:	2	G
RMC/RMSC:	N/A	N/A
Material:	Aluminium alloy	
Dimensions:	Unknown	
Criticality Code:	X	
Drawings Available:	Yes	
Drawing #:	35-2685	
T.O. Available:	Yes	
T.O. #:	16W12-31-3	
Budget Code:	8	
Drawing Cage Code:	81205	
Mesh File Available:	Unavailable	
Next Higher Asmby:	B052H	

### HEALTH STATUS

- Obsolete
- Sole Source
- Two or More
- Unknown
- Proprietary
- Logistics
- NA
- Build To Print
- Comn Ind Item



If you would like to participate in the Technical Discussion on

**April 27, 2020, at 9:00-10:00 (CST)**

provide the following, NLT

**April 23, 2020**

[429SCMS.SASPO.Workflow@us.af.mil](mailto:429SCMS.SASPO.Workflow@us.af.mil)

- Company, -Address, -Name(s), -Email(s), -Phone, and,
- Your questions for Engineering.



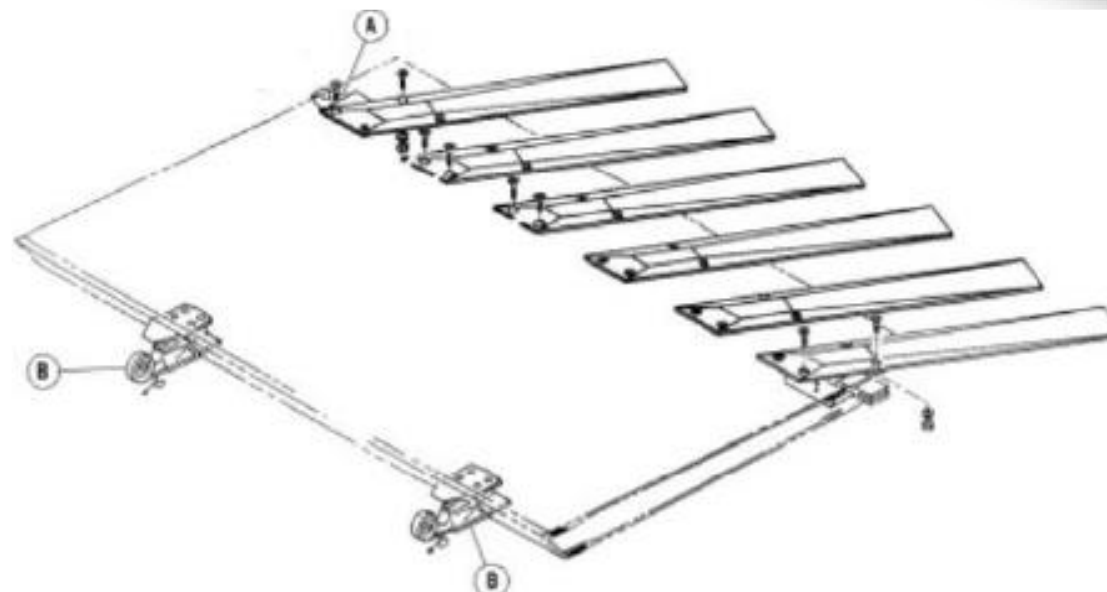
# Spoiler Wing

## Alternate Sourcing – Repair

### Tinker AFB – 424 SCMS



<b>MD:</b>	B-52	
<b>TMS:</b>	N/A	
<b>NOUN:</b>	Spoiler Wing	
<b>NSN:</b>	1560008976851	
<b>P/N:</b>	35-2686-701	
<b>Buy Price:</b>	\$426,357.70	
<b>Date Last Procured:</b>	7/24/1984	
<b>Repair Cost:</b>	\$41,505.00	
<b>AAC:</b>	C	
<b>Surplus Available:</b>	0	
<b>QPA/APPL Rate:</b>	1	100
<b>Replacement Rate:</b>	35	



Out Year Requirements: BUY									
<b>FY21:</b>	0	<b>FY22:</b>	0	<b>FY23:</b>	0	<b>FY24:</b>	0	<b>FY25:</b>	0

Out Year Requirements: REPAIR									
<b>FY21:</b>	9	<b>FY22:</b>	9	<b>FY23:</b>	9	<b>FY24:</b>	9	<b>FY25:</b>	9

<b>761:</b>	Unavailable	<b>762:</b>	Unavailable
<b>EDL:</b>	Unavailable	<b>RDL:</b>	Unavailable

**COMMENTS**

- Currently no viable long term repair strategy in place
- Tech Data Package requires further development
- SPO requirement to start repairing 9 of each configuration per year starting FY21

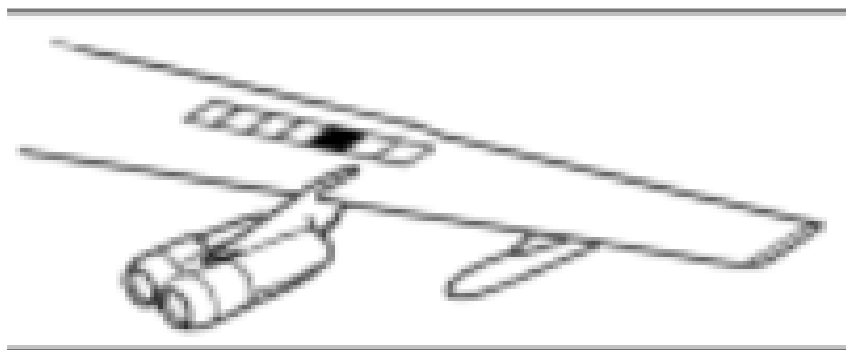
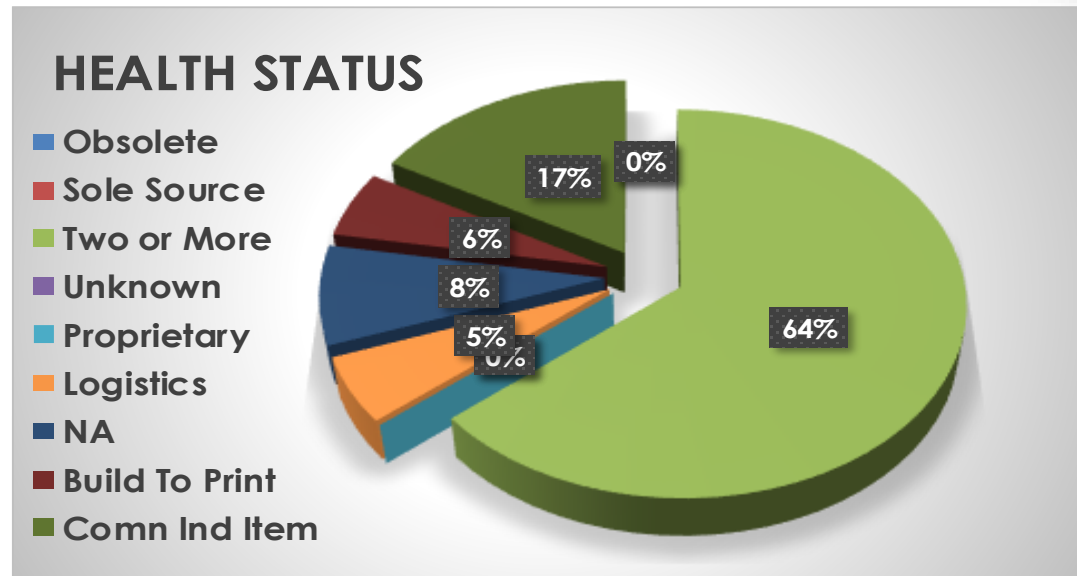


# Spoiler Wing

## Alternate Sourcing – Repair

### Tinker AFB – 424 SCMS

AMC/AMSC:	2	G
RMC/RMSC:	N/A	N/A
Material:	Aluminium alloy	
Dimensions:	Unknown	
Criticality Code:	X	
Drawings Available:	Yes	
Drawing #:	35-2686	
T.O. Available:	Yes	
T.O. #:	16W12-31-3	
Budget Code:	8	
Drawing Cage Code:	81205	
Mesh File Available:	Unavailable	
Next Higher Asmbly:	B052H	



If you would like to participate in the Technical Discussion on  
**April 27, 2020, at 9:00-10:00 (CST)**  
 provide the following, NLT  
**April 23, 2020**  
[429SCMS.SASPO.Workflow@us.af.mil](mailto:429SCMS.SASPO.Workflow@us.af.mil)  
 -Company, -Address, -Name(s), -Email(s), -Phone, and,  
 -Your questions for Engineering.



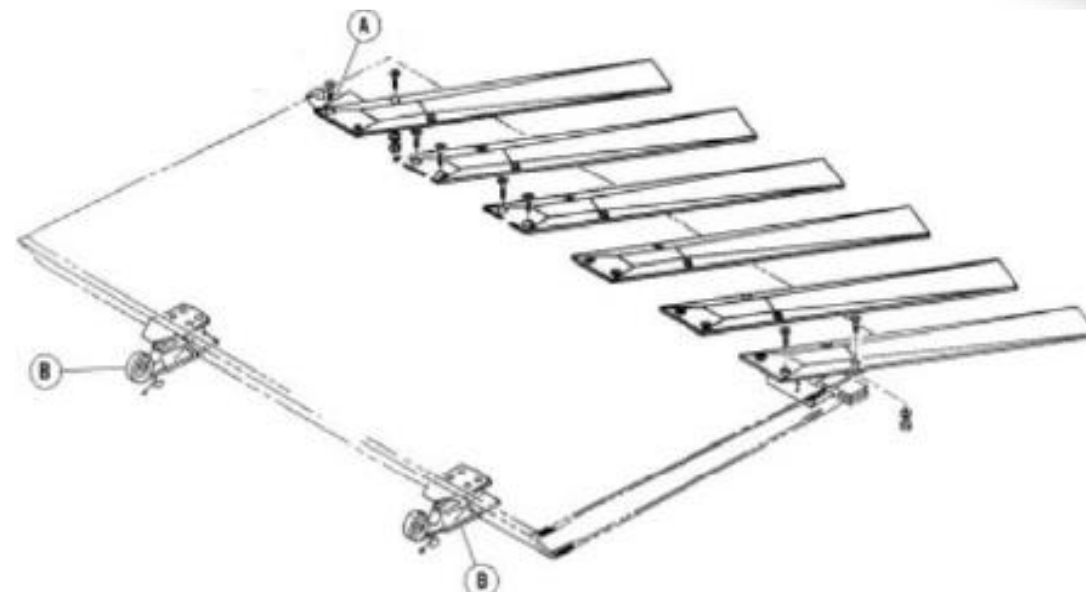
# Spoiler Wing

## Alternate Sourcing – Repair

### Tinker AFB – 424 SCMS



<b>MD:</b>	B-52	
<b>TMS:</b>	N/A	
<b>NOUN:</b>	Spoiler Wing	
<b>NSN:</b>	1560008976852	
<b>P/N:</b>	35-2686-702	
<b>Buy Price:</b>	\$315,321.76	
<b>Date Last Procured:</b>	6/30/2007	
<b>Repair Cost:</b>	\$32,486.00	
<b>AAC:</b>	C	
<b>Surplus Available:</b>	4	
<b>QPA/APPL Rate:</b>	1	100
<b>Replacement Rate:</b>	26	



Out Year Requirements: BUY									
<b>FY20:</b>	0	<b>FY21:</b>	0	<b>FY22:</b>	0	<b>FY23:</b>	0	<b>FY24:</b>	0

Out Year Requirements: REPAIR									
<b>FY20:</b>	9	<b>FY21:</b>	9	<b>FY22:</b>	9	<b>FY23:</b>	9	<b>FY24:</b>	9

<b>761:</b>	Unavailable	<b>762:</b>	Unavailable
<b>EDL:</b>	Unavailable	<b>RDL:</b>	Unavailable

### COMMENTS

- Currently no viable long term repair strategy in place
- Tech Data Package requires further development
- SPO requirement to start repairing 9 of each configuration per year starting FY21





# Spoiler Wing

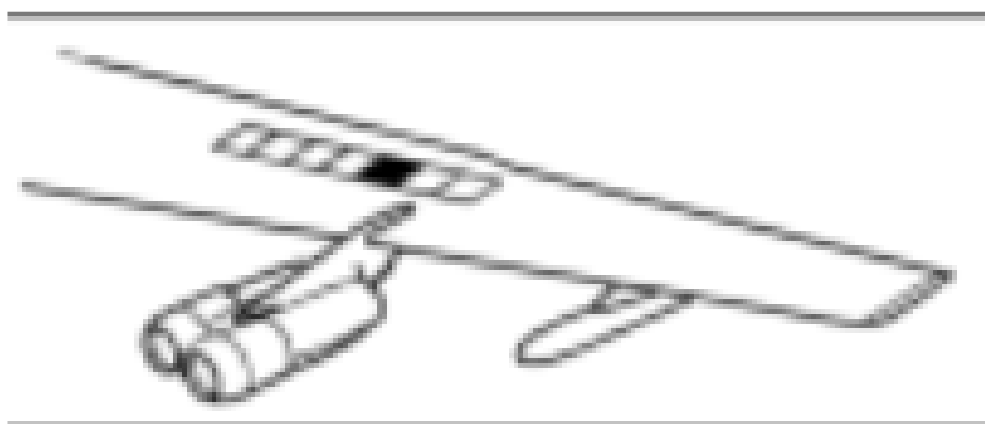
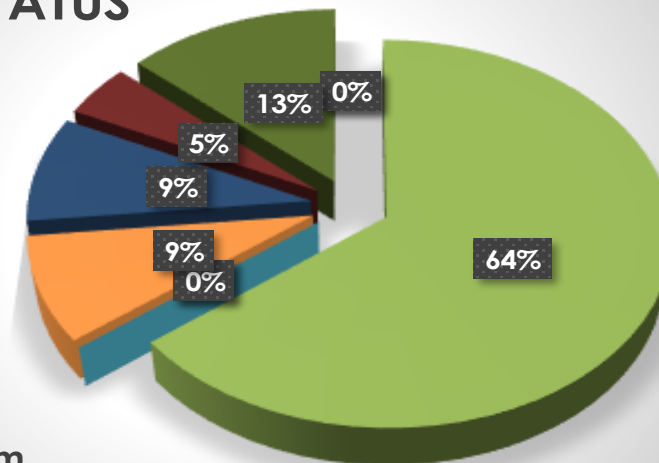
## Alternate Sourcing – Repair

### Tinker AFB – 424 SCMS

AMC/AMSC:	2	G
RMC/RMSC:	N/A	N/A
Material:	ALUMINUM/ STEEL	
Dimensions:	Unknown	
Criticality Code:	X	
Drawings Available:	Yes	
Drawing #:	35-2686	
T.O. Available:	Yes	
T.O. #:	16W12-31-3	
Budget Code:	8	
Drawing Cage Code:	81205	
Mesh File Available:	Unavailable	
Next Higher Asmbly:	B052H	

### HEALTH STATUS

- Obsolete
- Sole Source
- Two or More
- Unknown
- Proprietary
- Logistics
- NA
- Build To Print
- Comn Ind Item



If you would like to participate in the Technical Discussion on  
**April 27, 2020, at 9:00-10:00 (CST)**  
 provide the following, NLT  
**April 23, 2020**  
[429SCMS.SASPO.Workflow@us.af.mil](mailto:429SCMS.SASPO.Workflow@us.af.mil)  
 -Company, -Address, -Name(s), -Email(s), -Phone, and,  
 -Your questions for Engineering.



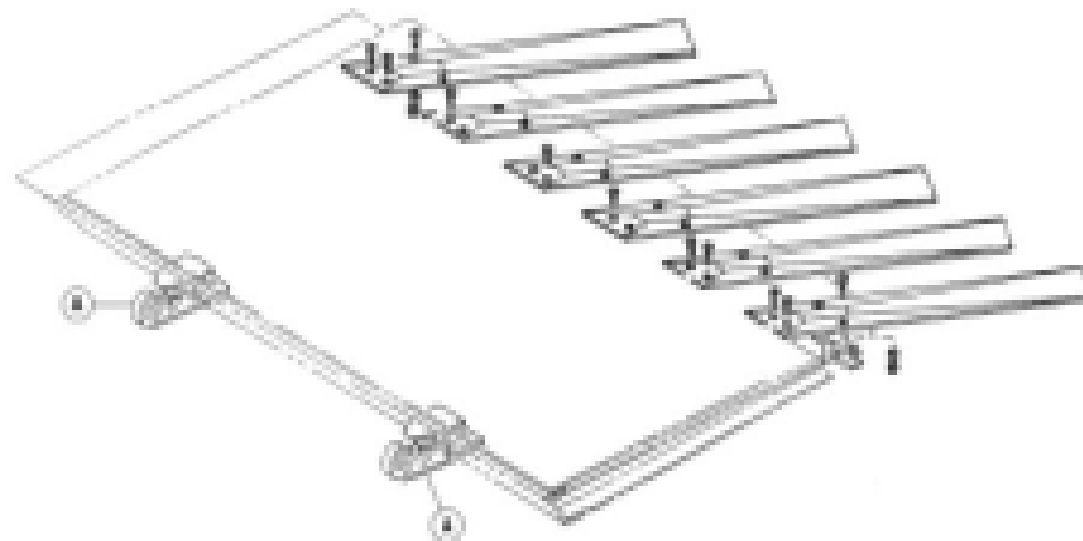
# Spoiler Wing

## Alternate Sourcing – Repair

### Tinker AFB – 424 SCMS



<b>MD:</b>	B-52	
<b>TMS:</b>	N/A	
<b>NOUN:</b>	Spoiler No 4 (LH)	
<b>NSN:</b>	1560008976853	
<b>P/N:</b>	35-2687-701	
<b>Buy Price:</b>	\$426,357.00	
<b>Date Last Procured:</b>	7/24/1984	
<b>Repair Cost:</b>	\$20,932.00	
<b>AAC:</b>	C	
<b>Surplus Available:</b>	0	
<b>QPA/APPL Rate:</b>	1	100
<b>Replacement Rate:</b>	44	



Out Year Requirements: BUY									
<b>FY21:</b>	0	<b>FY22:</b>	0	<b>FY23:</b>	0	<b>FY24:</b>	0	<b>FY25:</b>	0

Out Year Requirements: REPAIR									
<b>FY21:</b>	9	<b>FY22:</b>	9	<b>FY23:</b>	9	<b>FY24:</b>	9	<b>FY25:</b>	9

<b>761:</b>	Available	<b>762:</b>	Unavailable
<b>EDL:</b>	Unavailable	<b>RDL:</b>	Unavailable

### COMMENTS

- Currently no viable long term repair strategy in place
- Tech Data Package requires further development
- SPO requirement to start repairing 9 of each configuration per year starting FY21



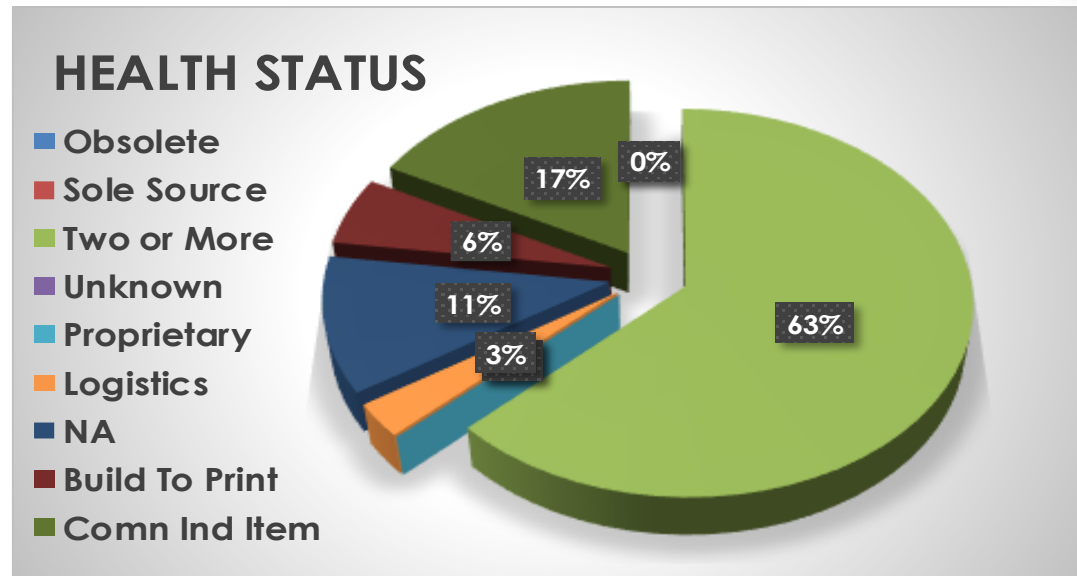
# Spoiler Wing

## Alternate Sourcing – Repair

### Tinker AFB – 424 SCMS



AMC/AMSC:	3	H
RMC/RMSC:	N/A	N/A
Material:	Aluminum Alloy	
Dimensions:	Unknown	
Criticality Code:	X	
Drawings Available:	Yes	
Drawing #:	35-2687	
T.O. Available:	Yes	
T.O. #:	16W12-31-3	
Budget Code:	8	
Drawing Cage Code:	81205	
Mesh File Available:	Unavailable	
Next Higher Asmbly:	B052H	



If you would like to participate in the Technical Discussion on  
**April 27, 2020, at 9:00-10:00 (CST)**  
 provide the following, NLT  
**April 23, 2020**  
[429SCMS.SASPO.Workflow@us.af.mil](mailto:429SCMS.SASPO.Workflow@us.af.mil)  
 -Company, -Address, -Name(s), -Email(s), -Phone, and,  
 -Your questions for Engineering.

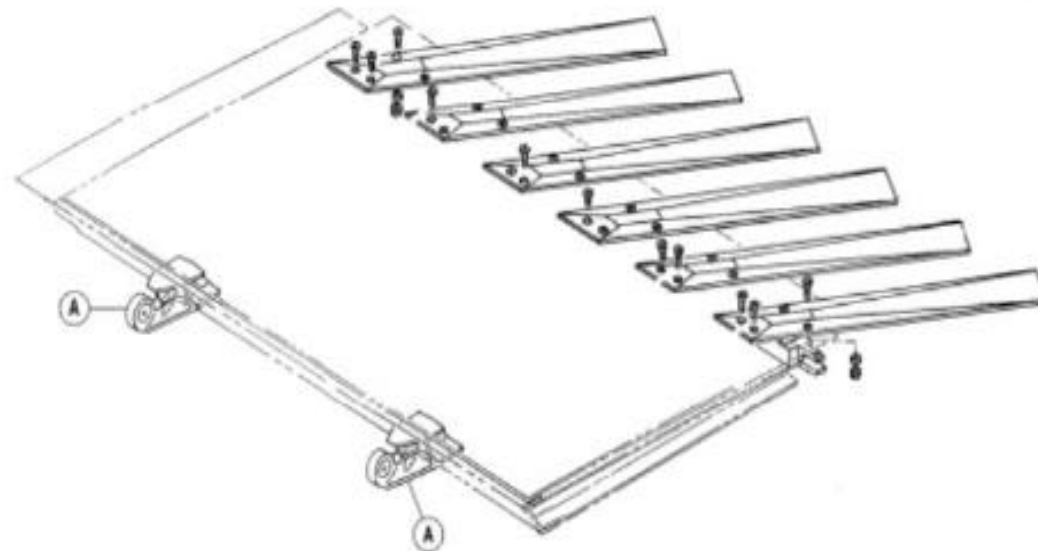


# Spoiler Wing

## Alternate Sourcing – Repair

### Tinker AFB – 424 SCMS

<b>MD:</b>	<b>B-52</b>	
<b>TMS:</b>	<b>N/A</b>	
<b>NOUN:</b>	<b>Spoiler</b>	
<b>NSN:</b>	<b>1560008976854</b>	
<b>P/N:</b>	<b>35-2687-702</b>	
<b>Buy Price:</b>	<b>\$315,321.76</b>	
<b>Date Last Procured:</b>	<b>7/1/2007</b>	
<b>Repair Cost:</b>	<b>\$32,045.00</b>	
<b>AAC:</b>	<b>C</b>	
<b>Surplus Available:</b>	<b>2</b>	
<b>QPA/APPL Rate:</b>	<b>1</b>	<b>100</b>
<b>Replacement Rate:</b>	<b>24</b>	



Out Year Requirements: BUY									
<b>FY20:</b>	<b>0</b>	<b>FY21:</b>	<b>0</b>	<b>FY22:</b>	<b>0</b>	<b>FY23:</b>	<b>0</b>	<b>FY24:</b>	<b>0</b>

Out Year Requirements: REPAIR									
<b>FY20:</b>	<b>9</b>	<b>FY21:</b>	<b>9</b>	<b>FY22:</b>	<b>9</b>	<b>FY23:</b>	<b>9</b>	<b>FY24:</b>	<b>9</b>

<b>761:</b>	<b>Unavailable</b>	<b>762:</b>	<b>Unavailable</b>
<b>EDL:</b>	<b>Unavailable</b>	<b>RDL:</b>	<b>Unavailable</b>

**COMMENTS**

- Currently no viable long term repair strategy in place
- Tech Data Package requires further development
- SPO requirement to start repairing 9 of each configuration per year starting FY21

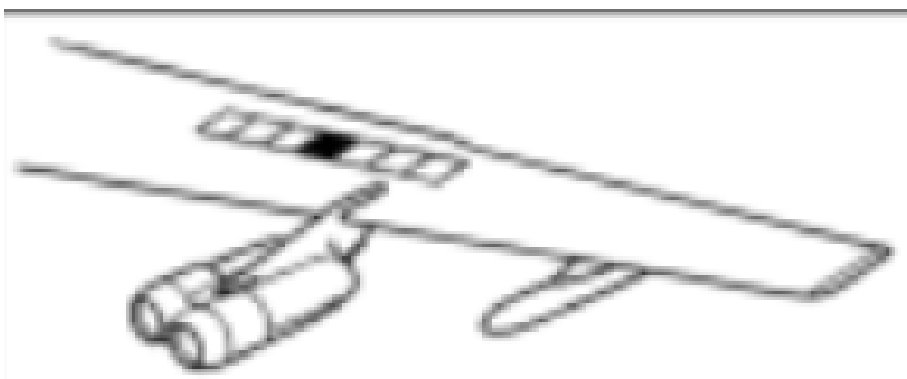
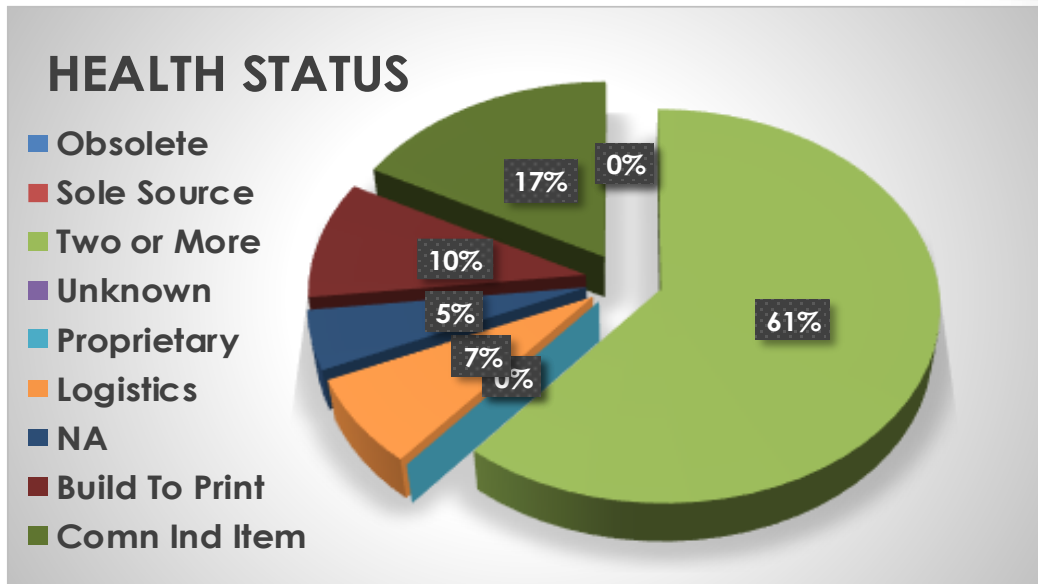


# Spoiler Wing

## Alternate Sourcing – Repair

### Tinker AFB – 424 SCMS

AMC/AMSC:	1	G
RMC/RMSC:	N/A	N/A
Material:	Aluminum Alloy	
Dimensions:	Unknown	
Criticality Code:	X	
Drawings Available:	Yes	
Drawing #:	35-2687	
T.O. Available:	Yes	
T.O. #:	16W12-31-3	
Budget Code:	8	
Drawing Cage Code:	81205	
Mesh File Available:	Unavailable	
Next Higher Assembly	B052H	



If you would like to participate in the Technical Discussion on **April 27, 2020, at 9:00-10:00 (CST)** provide the following, NLT **April 23, 2020**

[429SCMS.SASPO.Workflow@us.af.mil](mailto:429SCMS.SASPO.Workflow@us.af.mil)

-Company, -Address, -Name(s), -Email(s), -Phone, and,  
-Your questions for Engineering.



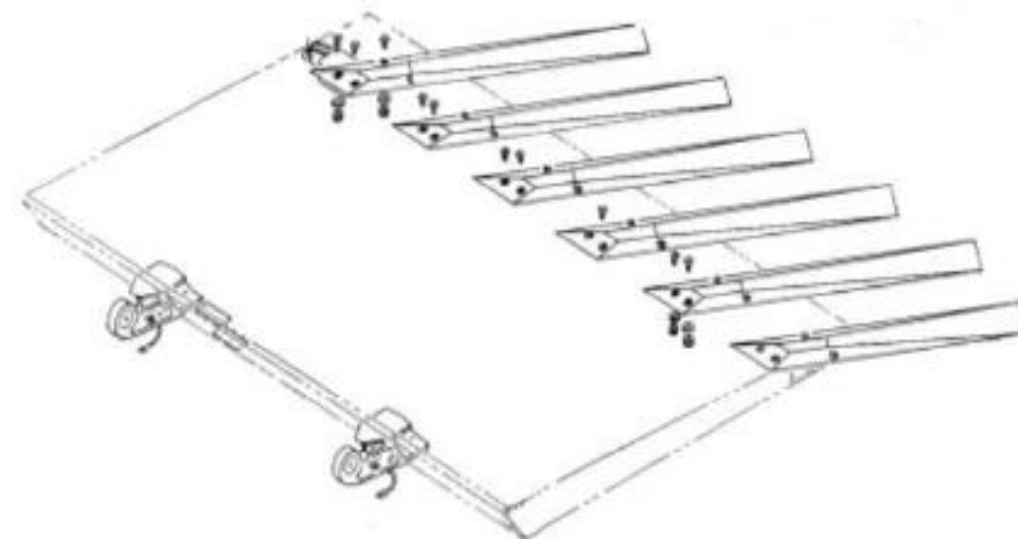


# Spoiler Wing

## Alternate Sourcing – Repair

### Tinker AFB – 424 SCMS

<b>MD:</b>	B-52	
<b>TMS:</b>	N/A	
<b>NOUN:</b>	Spoiler	
<b>NSN:</b>	1560008976855	
<b>P/N:</b>	35-2688-509	
<b>Buy Price:</b>	\$315,321.76	
<b>Date Last Procured:</b>	7/1/2007	
<b>Repair Cost:</b>	\$33,477.00	
<b>AAC:</b>	C	
<b>Surplus Available:</b>	36	
<b>QPA/APPL Rate:</b>	1	100
<b>Replacement Rate:</b>	56	



Out Year Requirements: BUY									
<b>FY21:</b>	0	<b>FY22:</b>	0	<b>FY23:</b>	0	<b>FY24:</b>	0	<b>FY25:</b>	0
Out Year Requirements: REPAIR									
<b>FY21:</b>	9	<b>FY22:</b>	9	<b>FY23:</b>	9	<b>FY24:</b>	9	<b>FY25:</b>	9
<b>761:</b>	Unavailable		<b>762:</b>	Unavailable					
<b>EDL:</b>	Unavailable		<b>RDL:</b>	Unavailable					

**COMMENTS**

- Currently no viable long term repair strategy in place
- Tech Data Package requires further development
- SPO requirement to start repairing 9 of each configuration per year starting FY21



# Spoiler Wing

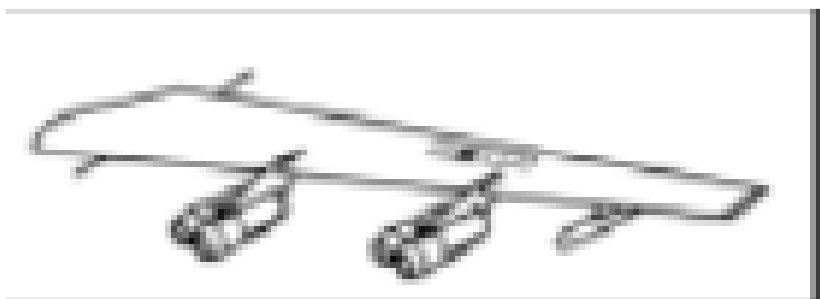
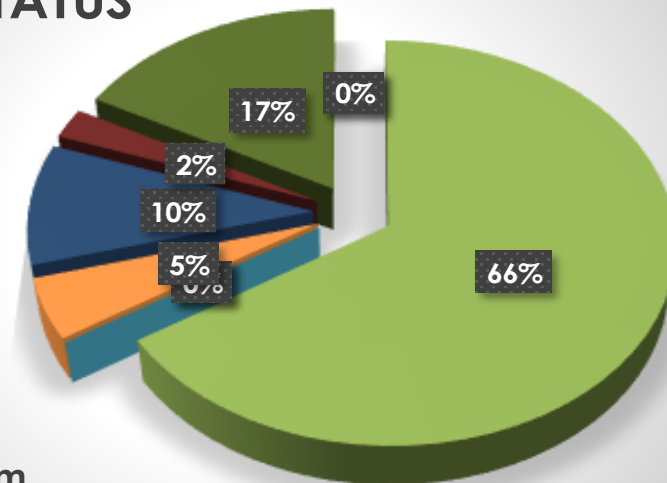
## Alternate Sourcing – Repair

### Tinker AFB – 424 SCMS

AMC/AMSC:	1	G
RMC/RMSC:	N/A	N/A
Material:	Aluminum Alloy	
Dimensions:	Unknown	
Criticality Code:	X	
Drawings Available:	Yes	
Drawing #:	35-2688	
T.O. Available:	Yes	
T.O. #:	16W12-31-3	
Budget Code:	8	
Drawing Cage Code:	81205	
Mesh File Available:	Unavailable	
Next Higher Assembly	B052H	

### HEALTH STATUS

- Obsolete
- Sole Source
- Two or More
- Unknown
- Proprietary
- Logistics
- NA
- Build To Print
- Comn Ind Item



If you would like to participate in the Technical Discussion on **April 27, 2020, at 9:00-10:00 (CST)** provide the following, NLT **April 23, 2020**

[429SCMS.SASPO.Workflow@us.af.mil](mailto:429SCMS.SASPO.Workflow@us.af.mil)

-Company, -Address, -Name(s), -Email(s), -Phone, and,  
-Your questions for Engineering.

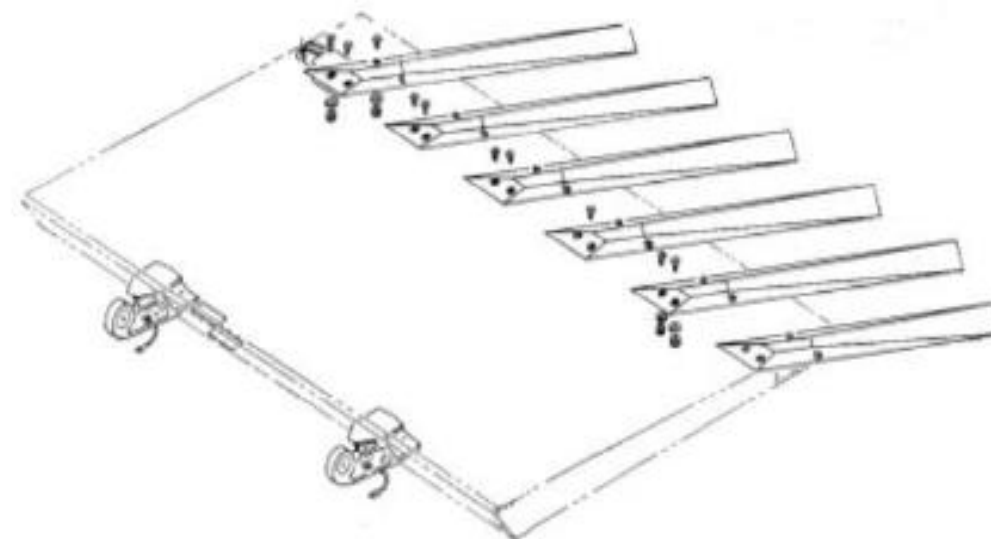


# Spoiler Wing

## Alternate Sourcing – Repair

### Tinker AFB – 424 SCMS

<b>MD:</b>	B-52	
<b>TMS:</b>	N/A	
<b>NOUN:</b>	Spoiler	
<b>NSN:</b>	1560008976856	
<b>P/N:</b>	35-2688-702	
<b>Buy Price:</b>	\$315,321.76	
<b>Date Last Procured:</b>	7/1/2007	
<b>Repair Cost:</b>	\$30,288.00	
<b>AAC:</b>	C	
<b>Surplus Available:</b>	2	
<b>QPA/APPL Rate:</b>	1	100
<b>Replacement Rate:</b>	56	



Out Year Requirements: BUY									
<b>FY21:</b>	0	<b>FY22:</b>	0	<b>FY23:</b>	0	<b>FY24:</b>	0	<b>FY25:</b>	0

Out Year Requirements: REPAIR									
<b>FY21:</b>	9	<b>FY22:</b>	9	<b>FY23:</b>	9	<b>FY24:</b>	9	<b>FY25:</b>	9

<b>761:</b>	Unavailable	<b>762:</b>	Unavailable
<b>EDL:</b>	Unavailable	<b>RDL:</b>	Unavailable

### COMMENTS

- Currently no viable long term repair strategy in place
- Tech Data Package requires further development
- SPO requirement to start repairing 9 of each configuration per year starting FY21



# Spoiler Wing

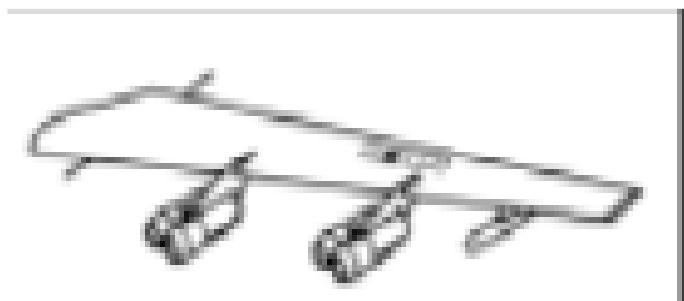
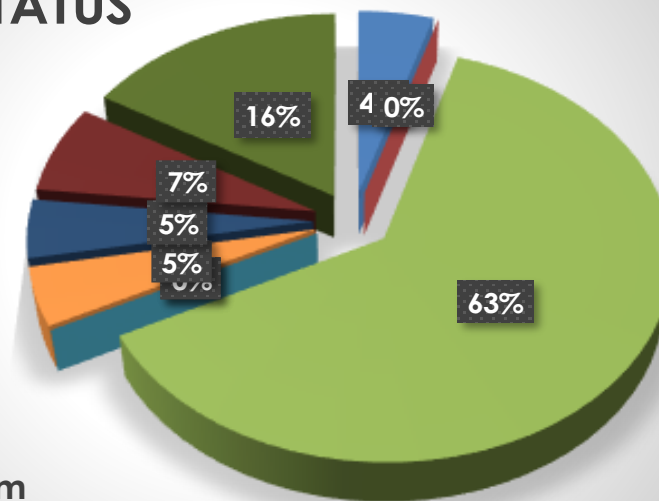
## Alternate Sourcing – Repair

### Tinker AFB – 424 SCMS

AMC/AMSC:	1	G
RMC/RMSC:	N/A	N/A
Material:	Aluminum Alloy	
Dimensions:	Unknown	
Criticality Code:	X	
Drawings Available:	Yes	
Drawing #:	35-2688	
T.O. Available:	Yes	
T.O. #:	16W12-31-3	
Budget Code:	8	
Drawing Cage Code:	81205	
Mesh File Available:	Unavailable	
Next Higher Assembly	B052H	

### HEALTH STATUS

- Obsolete
- Sole Source
- Two or More
- Unknown
- Proprietary
- Logistics
- NA
- Build To Print
- Comn Ind Item



If you would like to participate in the Technical Discussion on

**April 27, 2020, at 9:00-10:00 (CST)**

provide the following, NLT

**April 23, 2020**

[429SCMS.SASPO.Workflow@us.af.mil](mailto:429SCMS.SASPO.Workflow@us.af.mil)

- Company, -Address, -Name(s), -Email(s), -Phone, and,
- Your questions for Engineering.

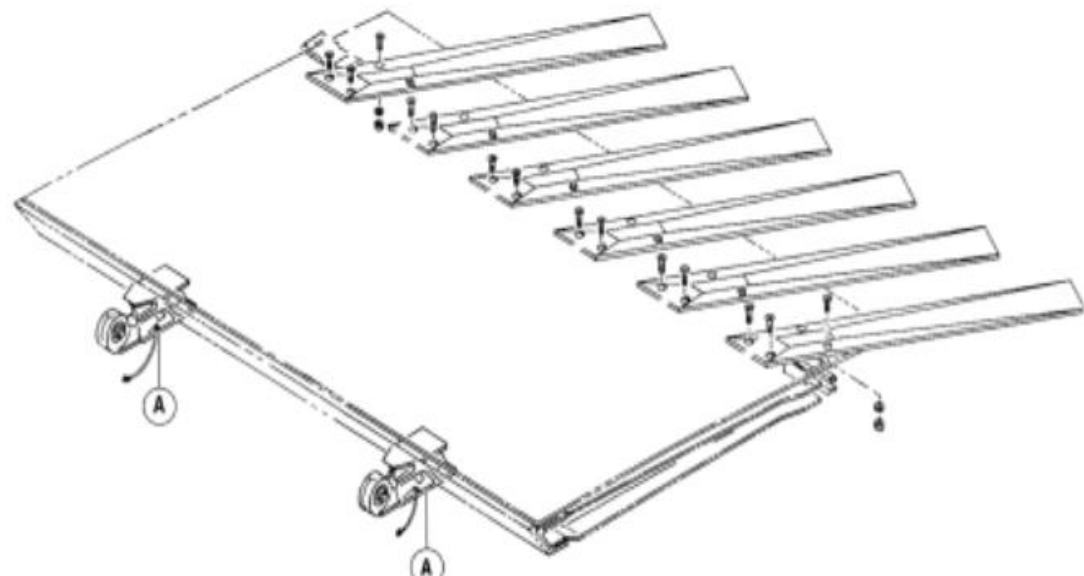


# Spoiler Wing

## Alternate Sourcing – Repair

### Tinker AFB – 424 SCMS

<b>MD:</b>	B-52	
<b>TMS:</b>	N/A	
<b>NOUN:</b>	Spoiler	
<b>NSN:</b>	1560008976857	
<b>P/N:</b>	35-2689-701	
<b>Buy Price:</b>	\$315,321.76	
<b>Date Last Procured:</b>	7/1/2007	
<b>Repair Cost:</b>	\$36,105.00	
<b>AAC:</b>	C	
<b>Surplus Available:</b>	1	
<b>QPA/APPL Rate:</b>	1	100
<b>Replacement Rate:</b>	35	



Out Year Requirements: BUY									
FY21:	0	FY22:	0	FY23:	0	FY24:	0	FY25:	0
Out Year Requirements: REPAIR									
FY21:	9	FY22:	9	FY23:	9	FY24:	9	FY25:	9
<b>761:</b>	Unavailable		<b>762:</b>	Unavailable					
<b>EDL:</b>	Unavailable		<b>RDL:</b>	Unavailable					

**COMMENTS**

- Currently no viable long term repair strategy in place
- Tech Data Package requires further development
- SPO requirement to start repairing 9 of each configuration per year starting FY21





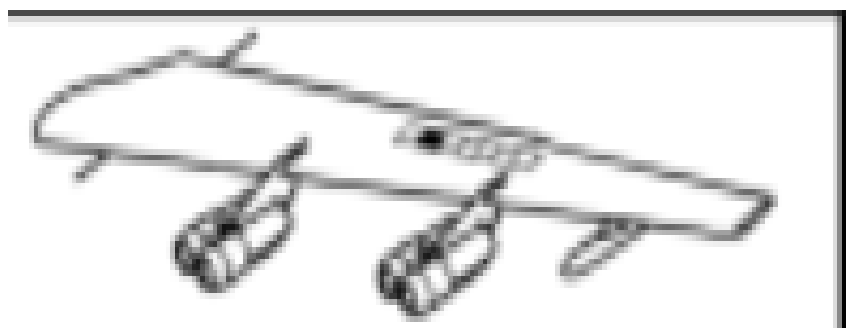
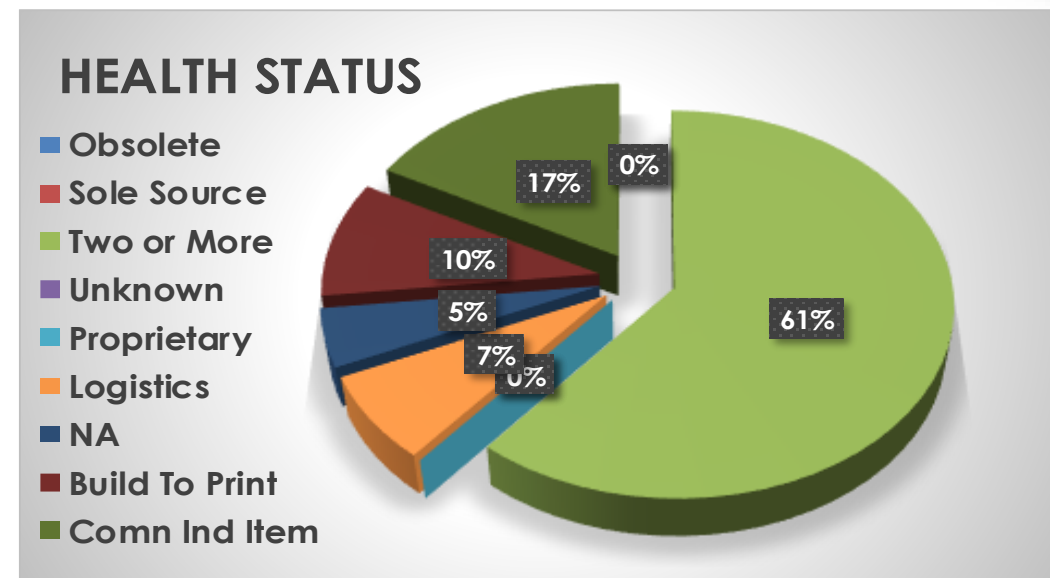
# Spoiler Wing

## Alternate Sourcing – Repair

### Tinker AFB – 424 SCMS



AMC/AMSC:	1	G
RMC/RMSC:	N/A	N/A
Material:	Aluminum Alloy	
Dimensions:	Unknown	
Criticality Code:	X	
Drawings Available:	Yes	
Drawing #:	35-2689	
T.O. Available:	Yes	
T.O. #:	16W12-31-3	
Budget Code:	8	
Drawing Cage Code:	81205	
Mesh File Available:	Unavailable	
Next Higher Assembly	B052H	



If you would like to participate in the Technical Discussion on  
**April 27, 2020, at 9:00-10:00 (CST)**  
 provide the following, NLT  
**April 23, 2020**  
[429SCMS.SASPO.Workflow@us.af.mil](mailto:429SCMS.SASPO.Workflow@us.af.mil)  
 -Company, -Address, -Name(s), -Email(s), -Phone, and,  
 -Your questions for Engineering.



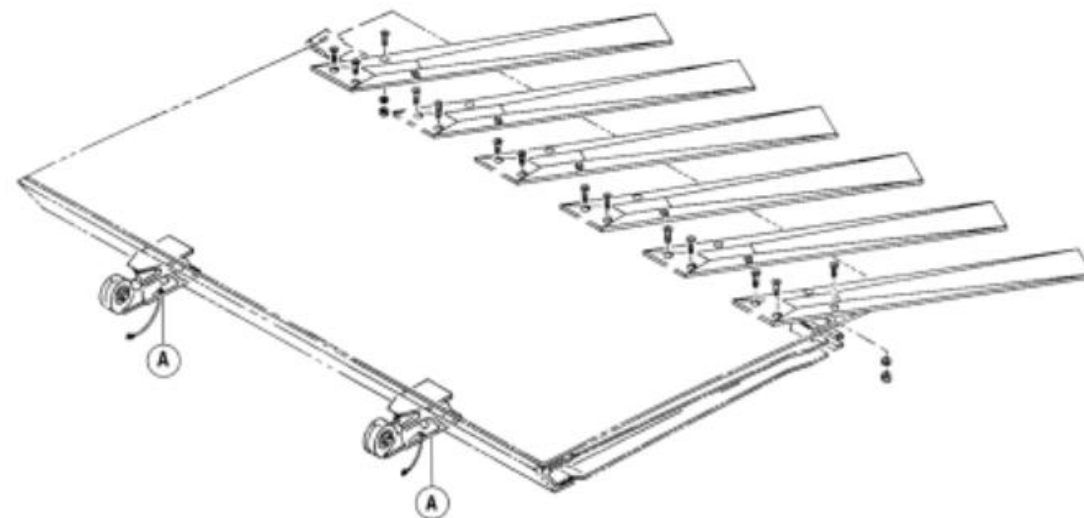
# Spoiler Wing

## Alternate Sourcing – Repair

### Tinker AFB – 424 SCMS



<b>MD:</b>	B-52	
<b>TMS:</b>	TF33-P-103	
<b>NOUN:</b>	Spoiler	
<b>NSN:</b>	1560008976858	
<b>P/N:</b>	35-2689-514	
<b>Buy Price:</b>	\$315,321.76	
<b>Date Last Procured:</b>	6/30/2020	
<b>Repair Cost:</b>	\$25,737.00	
<b>AAC:</b>	C	
<b>Surplus Available:</b>	2	
<b>QPA/APPL Rate:</b>	1	100
<b>Replacement Rate:</b>	35	



Out Year Requirements: BUY									
<b>FY20:</b>	0	<b>FY21:</b>	0	<b>FY22:</b>	0	<b>FY23:</b>	0	<b>FY24:</b>	0

Out Year Requirements: REPAIR									
<b>FY20:</b>	9	<b>FY21:</b>	9	<b>FY22:</b>	9	<b>FY23:</b>	9	<b>FY24:</b>	9

<b>761:</b>	Unavailable	<b>762:</b>	Unavailable
<b>EDL:</b>	Unavailable	<b>RDL:</b>	Unavailable

### COMMENTS

- Currently no viable long term repair strategy in place
- Tech Data Package requires further development
- SPO requirement to start repairing 9 of each configuration per year starting FY21



# Spoiler Wing

## Alternate Sourcing – Repair

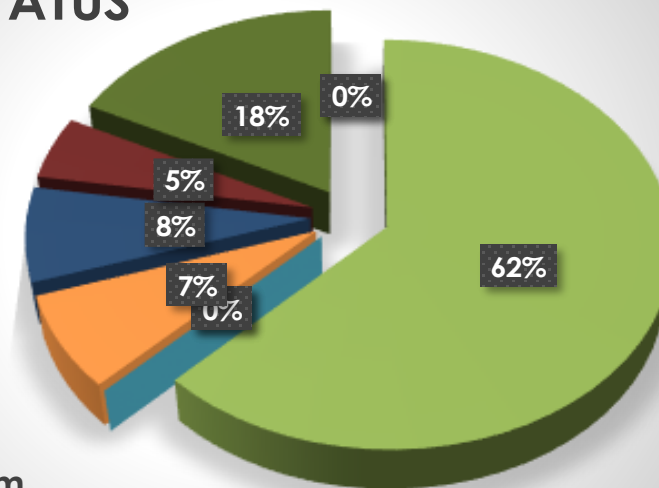
### Tinker AFB – 424 SCMS



AMC/AMSC:	1	G
RMC/RMSC:	N/A	N/A
Material:	Unknown	
Dimensions:	Unknown	
Criticality Code:	X	
Drawings Available:	YES	
Drawing #:	35-2689	
T.O. Available:	YES	
T.O. #:	16W12-31-3	
Budget Code:	8	
Drawing Cage Code:	81205	
Mesh File Available:	Unavailable	
Next Higher Asmbly:	B052H	

### HEALTH STATUS

- Obsolete
- Sole Source
- Two or More
- Unknown
- Proprietary
- Logistics
- NA
- Build To Print
- Comn Ind Item



If you would like to participate in the Technical Discussion on  
**April 27, 2020, at 9:00-10:00 (CST)**  
 provide the following, NLT  
**April 23, 2020**  
[429SCMS.SASPO.Workflow@us.af.mil](mailto:429SCMS.SASPO.Workflow@us.af.mil)  
 -Company, -Address, -Name(s), -Email(s), -Phone, and,  
 -Your questions for Engineering.

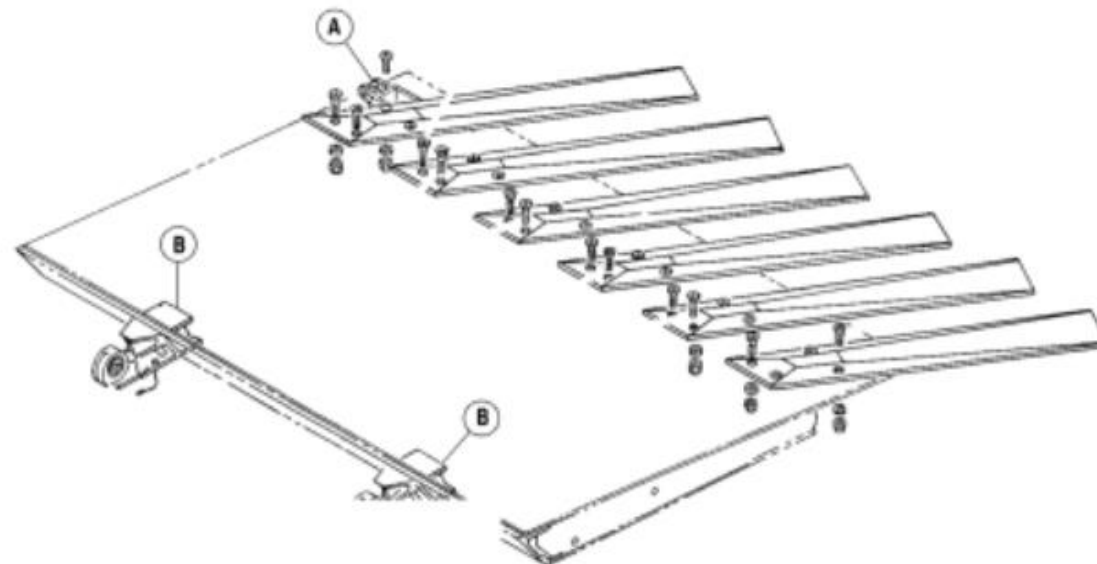


# Spoiler Wing

## Alternate Sourcing – Repair

### Tinker AFB – 424 SCMS

<b>MD:</b>	B-52	
<b>TMS:</b>	TF33-PW-103	
<b>NOUN:</b>	Spoiler Wing	
<b>NSN:</b>	1560008976866	
<b>P/N:</b>	35-2684-701	
<b>Buy Price:</b>	\$426,357.70	
<b>Date Last Procured:</b>	7/24/1984	
<b>Repair Cost:</b>	\$31,093.00	
<b>AAC:</b>	C	
<b>Surplus Available:</b>	4	
<b>QPA/APPL Rate:</b>	1	100
<b>Replacement Rate:</b>	32	



Out Year Requirements: BUY									
<b>FY20:</b>	0	<b>FY21:</b>	0	<b>FY22:</b>	0	<b>FY23:</b>	0	<b>FY24:</b>	0

Out Year Requirements: REPAIR									
<b>FY20:</b>	9	<b>FY21:</b>	9	<b>FY22:</b>	9	<b>FY23:</b>	9	<b>FY24:</b>	9

<b>761:</b>	Unavailable	<b>762:</b>	Unavailable
<b>EDL:</b>	Unavailable	<b>RDL:</b>	Unavailable

### COMMENTS

- Currently no viable long term repair strategy in place
- Tech Data Package requires further development
- SPO requirement to start repairing 9 of each configuration per year starting FY21



# Spoiler Wing

## Alternate Sourcing – Repair

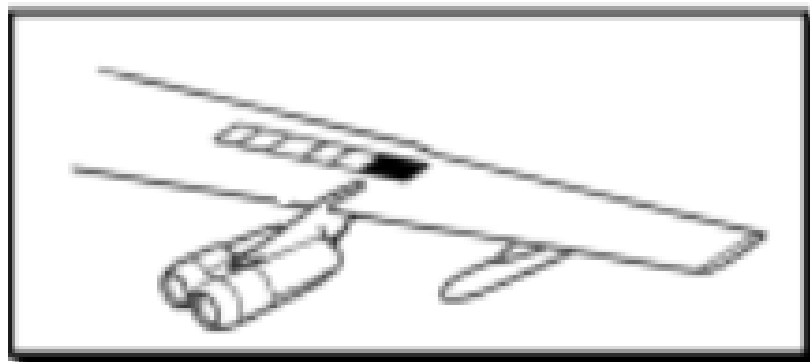
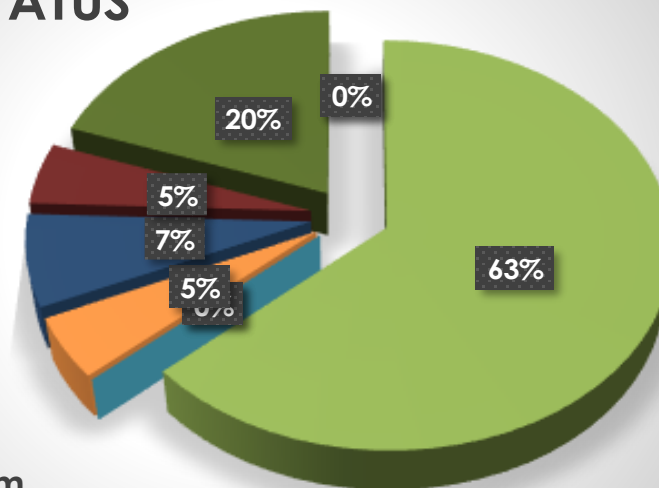
### Tinker AFB – 424 SCMS



AMC/AMSC:	2	G
RMC/RMSC:	N/A	N/A
Material:	Unknown	
Dimensions:	Unknown	
Criticality Code:	X	
Drawings Available:	Yes	
Drawing #:	35-2684	
T.O. Available:	Yes	
T.O. #:	16W12-31-3	
Budget Code:	8	
Drawing Cage Code:	81205	
Mesh File Available:	Unavailable	
Next Higher Asmbly:	B052H	

### HEALTH STATUS

- Obsolete
- Sole Source
- Two or More
- Unknown
- Proprietary
- Logistics
- NA
- Build To Print
- Comn Ind Item



If you would like to participate in the Technical Discussion on

**April 27, 2020, at 9:00-10:00 (CST)**

provide the following, NLT

**April 23, 2020**

[429SCMS.SASPO.Workflow@us.af.mil](mailto:429SCMS.SASPO.Workflow@us.af.mil)

- Company, -Address, -Name(s), -Email(s), -Phone, and,
- Your questions for Engineering.





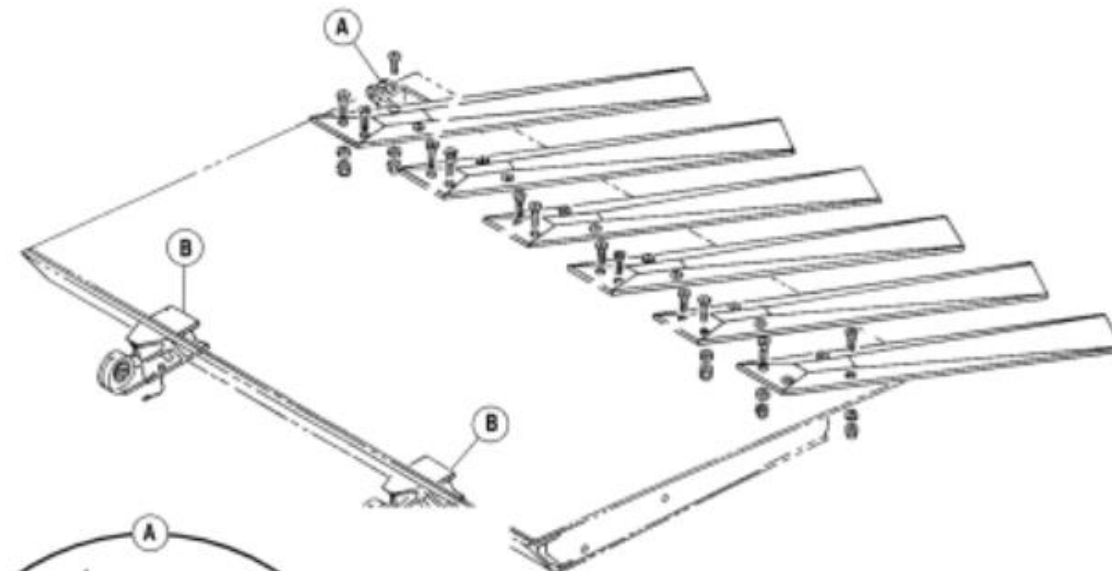
# Spoiler Wing

## Alternate Sourcing – Repair

### Tinker AFB – 424 SCMS



<b>MD:</b>	B-52	
<b>TMS:</b>	TF33-PW-103	
<b>NOUN:</b>	Spoiler Wing	
<b>NSN:</b>	1560008976867	
<b>P/N:</b>	35-2690-510	
<b>Buy Price:</b>	\$426,357.70	
<b>Date Last Procured:</b>	7/24/1984	
<b>Repair Cost:</b>	\$30,299.00	
<b>AAC:</b>	C	
<b>Surplus Available:</b>	0	
<b>QPA/APPL Rate:</b>	1	100
<b>Replacement Rate:</b>	24	



Out Year Requirements: BUY									
<b>FY20:</b>	0	<b>FY21:</b>	0	<b>FY22:</b>	0	<b>FY23:</b>	0	<b>FY24:</b>	0

Out Year Requirements: REPAIR									
<b>FY20:</b>	9	<b>FY21:</b>	9	<b>FY22:</b>	9	<b>FY23:</b>	9	<b>FY24:</b>	9

<b>761:</b>	Unavailable	<b>762:</b>	Unavailable
<b>EDL:</b>	Unavailable	<b>RDL:</b>	Unavailable

### COMMENTS

- Currently no viable long term repair strategy in place
- Tech Data Package requires further development
- SPO requirement to start repairing 9 of each configuration per year starting FY21



# Spoiler Wing

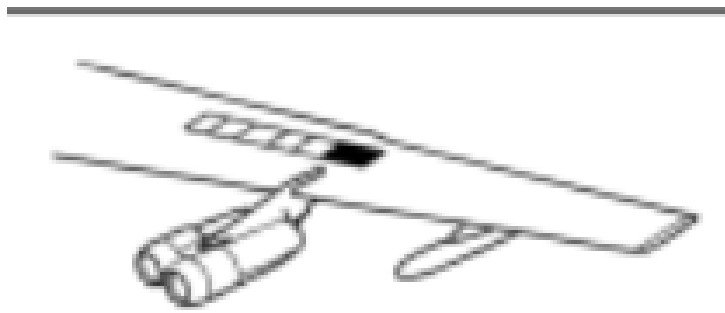
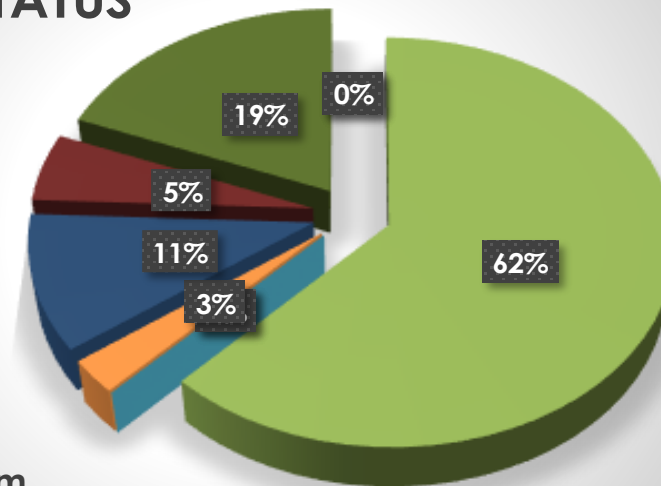
## Alternate Sourcing – Repair

### Tinker AFB – 428 SCMS

AMC/AMSC:	1	G
RMC/RMSC:	N/A	N/A
Material:	Unknown	
Dimensions:	Unknown	
Criticality Code:	X	
Drawings Available:	Yes	
Drawing #:	35-2684	
T.O. Available:	Yes	
T.O. #:	16W12-31-3	
Budget Code:	8	
Drawing Cage Code:	81205	
Mesh File Available:	Unavailable	
Next Higher Asmbly:	B052H	

### HEALTH STATUS

- Obsolete
- Sole Source
- Two or More
- Unknown
- Proprietary
- Logistics
- NA
- Build To Print
- Comn Ind Item



If you would like to participate in the Technical Discussion on

**April 27, 2020, at 9:00-10:00 (CST)**

provide the following, NLT

**April 23, 2020**

[429SCMS.SASPO.Workflow@us.af.mil](mailto:429SCMS.SASPO.Workflow@us.af.mil)

- Company, -Address, -Name(s), -Email(s), -Phone, and,
- Your questions for Engineering.



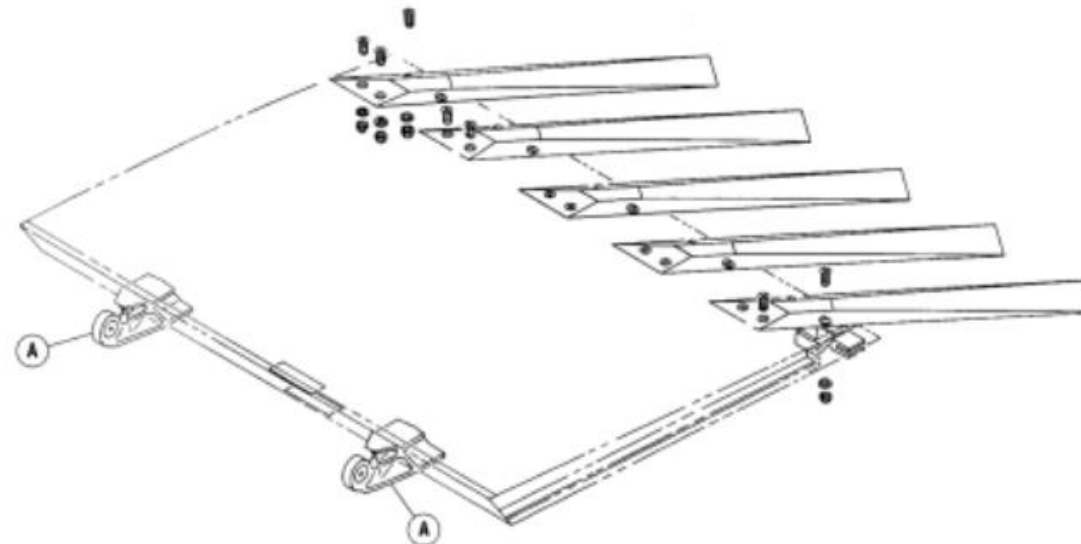
# Spoiler Wing

## Alternate Sourcing – Repair

### Tinker AFB – 424 SCMS



<b>MD:</b>	B-52	
<b>TMS:</b>	TF33-PW-103	
<b>NOUN:</b>	Spoiler Wing	
<b>NSN:</b>	1560008976868	
<b>P/N:</b>	35-2690-509	
<b>Buy Price:</b>	\$426,357.70	
<b>Date Last Procured:</b>	7/24/1984	
<b>Repair Cost:</b>	\$30,299.00	
<b>AAC:</b>	C	
<b>Surplus Available:</b>	0	
<b>QPA/APPL Rate:</b>	1	100
<b>Replacement Rate:</b>	15	



Out Year Requirements: BUY									
<b>FY20:</b>	0	<b>FY21:</b>	0	<b>FY22:</b>	0	<b>FY23:</b>	0	<b>FY24:</b>	0

Out Year Requirements: REPAIR									
<b>FY20:</b>	9	<b>FY21:</b>	9	<b>FY22:</b>	9	<b>FY23:</b>	9	<b>FY24:</b>	9

<b>761:</b>	Unavailable	<b>762:</b>	Unavailable
<b>EDL:</b>	Unavailable	<b>RDL:</b>	Unavailable

### COMMENTS

- Currently no viable long term repair strategy in place
- Tech Data Package requires further development
- SPO requirement to start repairing 9 of each configuration per year starting FY21



# Spoiler Wing

## Alternate Sourcing – Repair

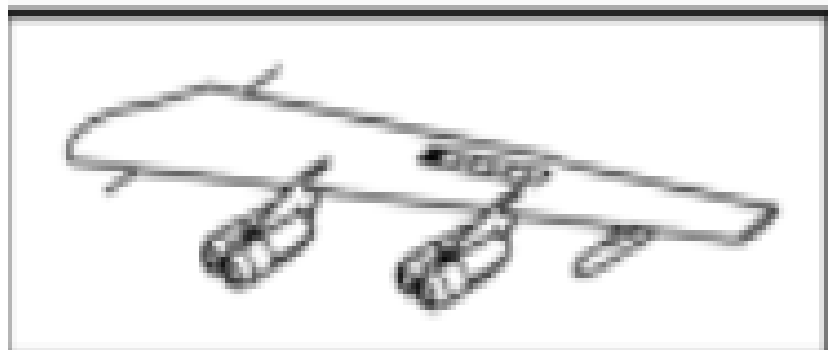
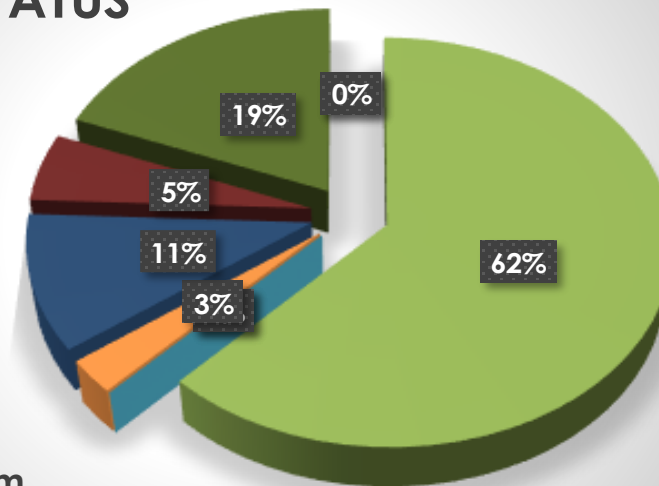
### Tinker AFB – 424 SCMS



AMC/AMSC:	2	G
RMC/RMSC:	N/A	N/A
Material:	Unknown	
Dimensions:	Unknown	
Criticality Code:	X	
Drawings Available:	Yes	
Drawing #:	35-2684	
T.O. Available:	Yes	
T.O. #:	16W12-31-3	
Budget Code:	8	
Drawing Cage Code:	81205	
Mesh File Available:	Unavailable	
Next Higher Asmbly:	B052H	

### HEALTH STATUS

- Obsolete
- Sole Source
- Two or More
- Unknown
- Proprietary
- Logistics
- NA
- Build To Print
- Comn Ind Item



If you would like to participate in the Technical Discussion on

**April 27, 2020, at 9:00-10:00 (CST)**

provide the following, NLT

**April 23, 2020**

[429SCMS.SASPO.Workflow@us.af.mil](mailto:429SCMS.SASPO.Workflow@us.af.mil)

- Company, -Address, -Name(s), -Email(s), -Phone, and,
- Your questions for Engineering.



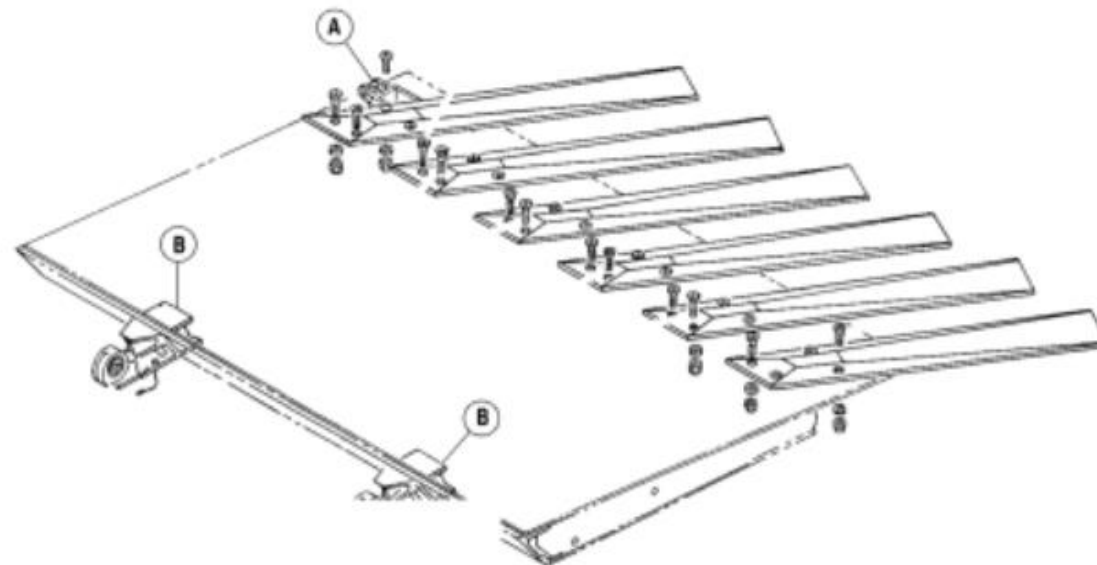
# Spoiler Wing

## Alternate Sourcing – Repair

### Tinker AFB – 424 SCMS



<b>MD:</b>	B-52	
<b>TMS:</b>	TF33-PW-103	
<b>NOUN:</b>	Spoiler Wing	
<b>NSN:</b>	1560008978397	
<b>P/N:</b>	35-2684-702	
<b>Buy Price:</b>	\$315,321.76	
<b>Date Last Procured:</b>	6/30/2007	
<b>Repair Cost:</b>	\$24,162.00	
<b>AAC:</b>	C	
<b>Surplus Available:</b>	4	
<b>QPA/APPL Rate:</b>	1	100
<b>Replacement Rate:</b>	41	



Out Year Requirements: BUY									
<b>FY20:</b>	0	<b>FY21:</b>	0	<b>FY22:</b>	0	<b>FY23:</b>	0	<b>FY24:</b>	0

Out Year Requirements: REPAIR									
<b>FY20:</b>	9	<b>FY21:</b>	9	<b>FY22:</b>	9	<b>FY23:</b>	9	<b>FY24:</b>	9

<b>761:</b>	Unavailable	<b>762:</b>	Unavailable
<b>EDL:</b>	Unavailable	<b>RDL:</b>	Unavailable

### COMMENTS

- Currently no viable long term repair strategy in place
- Tech Data Package requires further development
- SPO requirement to start repairing 9 of each configuration per year starting FY21





# Spoiler Wing

## Alternate Sourcing – Repair

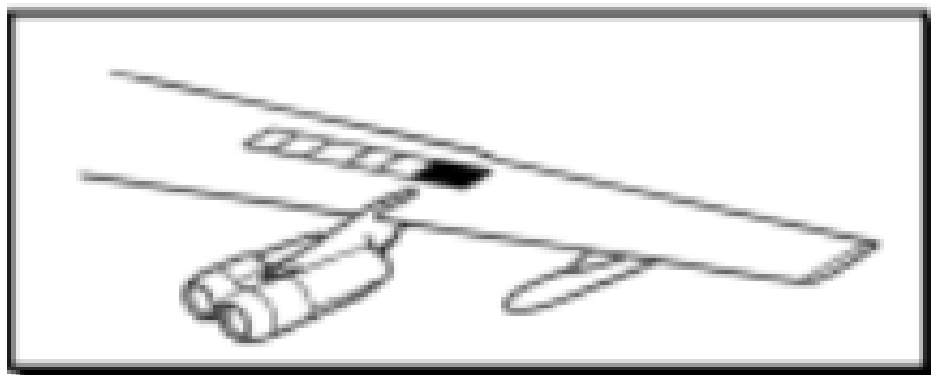
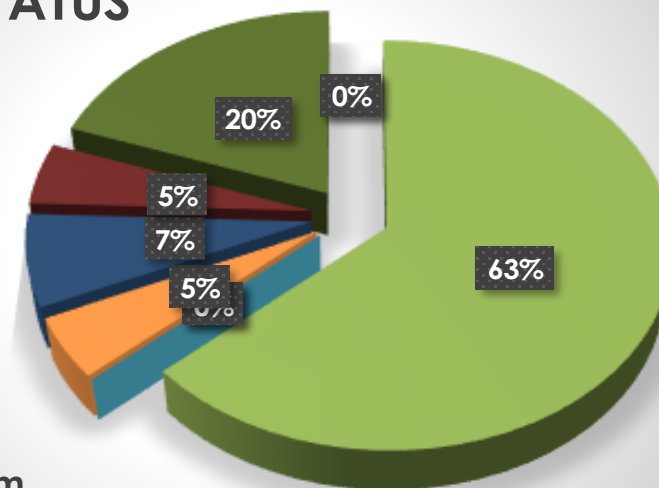
### Tinker AFB – 424 SCMS



AMC/AMSC:	2	G
RMC/RMSC:	N/A	N/A
Material:	Unknown	
Dimensions:	Unknown	
Criticality Code:	X	
Drawings Available:	Yes	
Drawing #:	35-2684	
T.O. Available:	Yes	
T.O. #:	16W12-31-3	
Budget Code:	8	
Drawing Cage Code:	81205	
Mesh File Available:	Unavailable	
Next Higher Asmbly:	B052H	

### HEALTH STATUS

- Obsolete
- Sole Source
- Two or More
- Unknown
- Proprietary
- Logistics
- NA
- Build To Print
- Comn Ind Item



If you would like to participate in the Technical Discussion on

**April 27, 2020, at 9:00-10:00 (CST)**

provide the following, NLT

**April 23, 2020**

[429SCMS.SASPO.Workflow@us.af.mil](mailto:429SCMS.SASPO.Workflow@us.af.mil)

- Company, -Address, -Name(s), -Email(s), -Phone, and,
- Your questions for Engineering.



# AGM-86B (ALCM)



*Supplying Warfighter Dominance*



# Fuel Shut-Off Valve

Reverse Engineering/Repair Development - OTA  
Tinker AFB – 421 SCMS



MD:	AGM-86B	
TMS:	F107-WR-101	
NOUN:	Fuel Shut-Off Valve	
NSN:	2915012418855	
P/N:	8901-262	
Buy Price:	\$1,904.11	
Date Last Procured:	6/1/2004	
Repair Cost:	\$837.80	
AAC:	M	
Surplus Available:	87	
QPA/APPL Rate:	1	100
Replacement Rate:	100	



Out Year Requirements: BUY									
FY20:	0	FY21:	0	FY22:	0	FY23:	0	FY24:	0

Out Year Requirements: REPAIR									
FY20:	0	FY21:	0	FY22:	84	FY23:	84	FY24:	84

761:	Available	762:	Unavailable
EDL:	Available	RDL:	Unavailable

## COMMENTS

- Repair T.O. 6J15-10-265-3 missing pages
- Tester available/requires periodic calibration
- Previously repaired organically/early 2000



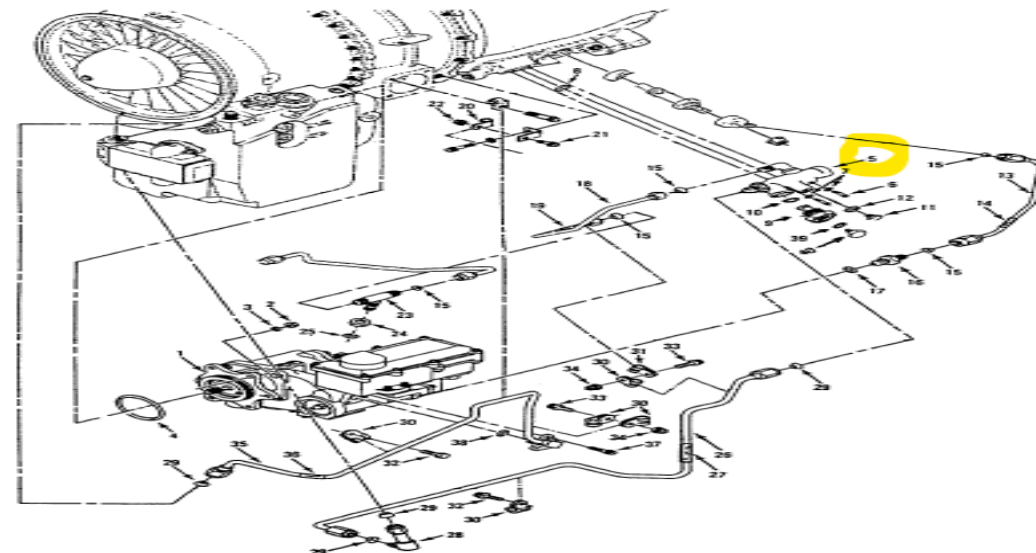
# Fuel Shut-Off Valve

## Reverse Engineering/Repair Development - OTA

### Tinker AFB – 421 SCMS



AMC/AMSC:	1	P
RMC/RMSC:	N/A	N/A
Material:	Unknown	
Dimensions:	Unknown	
Criticality Code:	X	
Drawings Available:	No	
Drawing #:	9994-286 & 8901-262; 29593	
T.O. Available:	Yes	
T.O. #:	2J-F107-4 & 6J15-10-265-3	
Budget Code:	8	
Drawing Cage Code:	66503	
Mesh File Available:	Unavailable	
Next Higher Asmbly:	F107 Engine	



If you would like to participate in the Technical Discussion on  
**April 27, 2020, at 10:00-10:30 (CST)**  
 provide the following, NLT  
**April 23, 2020**  
[429SCMS.SASPO.Workflow@us.af.mil](mailto:429SCMS.SASPO.Workflow@us.af.mil)  
 -Company, -Address, -Name(s), -Email(s), -Phone, and,  
 -Your questions for Engineering.





# ***TF33-PW-100A Engine***



***Supplying Warfighter Dominance***





# Compressor Component Support

**Alternate Sourcing – New Buy**

Tinker AFB – 421 SCMS



MD:	E-8	
TMS:	TF33-PW-100A	
NOUN:	Compressor Component Support	
NSN:	2840011609207	
P/N:	754573	
Buy Price:	\$2,275.00	
Date Last Procured:	6/1/2019	
Repair Cost:	\$0.00	
AAC:	D	
Surplus Available:	1082	
QPA/APPL Rate:	1	100
Replacement Rate:	100	



Out Year Requirements: BUY									
FY20:	38	FY21:	38	FY22:	38	FY23:	38	FY24:	38

Out Year Requirements: REPAIR									
FY20:	0	FY21:	0	FY22:	0	FY23:	0	FY24:	0

761:	Available	762:	Unavailable
EDL:	Available	RDL:	Unavailable

## COMMENTS

- Interested vendors should submit a Source Approval Request (SAR)



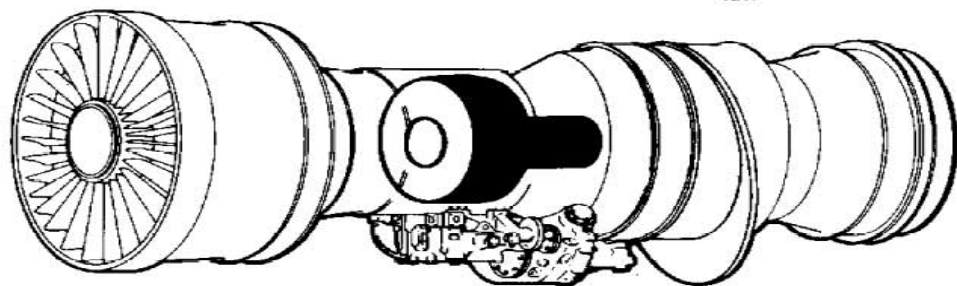
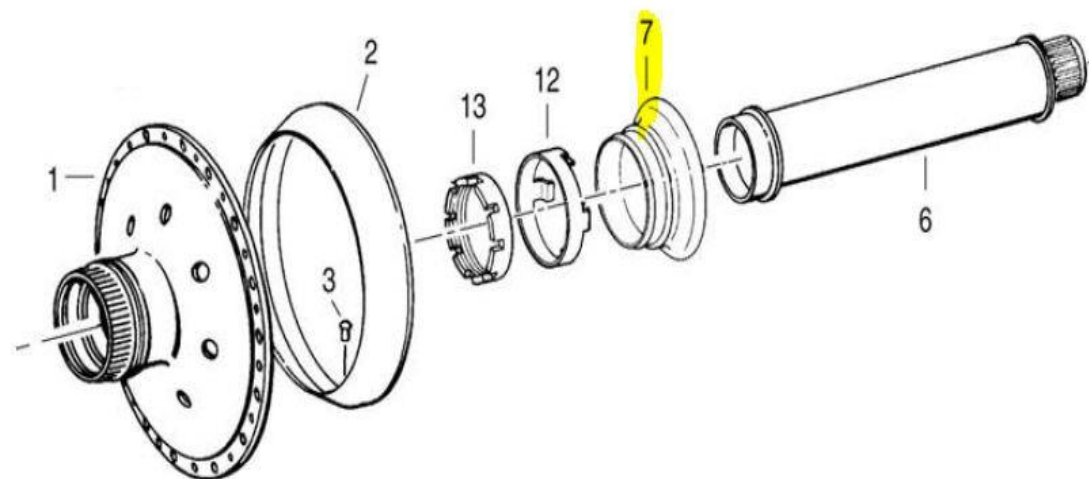
# Compressor Component Support

**Alternate Sourcing – New Buy**

**Tinker AFB – 421 SCMS**



AMC/AMSC:	1	C
RMC/RMSC:	N/A	N/A
Material:	Steel	
Dimensions:	4.297" Min & 4.301" Max Inside Dia X 2.92" Min & 2.94" Max L X 7.79" Min & 8.03" Max Outside Dia	
Criticality Code:	Y	
Drawings Available:	Yes	
Drawing #:	754573	
T.O. Available:	Yes	
T.O. #:	2J-TF33-34	
Budget Code:	9	
Drawing Cage Code:	77445	
Mesh File Available:	Unavailable	
Next Higher Asmby:	TF-33 Engine	



If you would like to participate in the Technical Discussion on

**April 27, 2020, at 10:30-11:30 (CST)**

provide the following, NLT

**April 23, 2020**

[429SCMS.SASPO.Workflow@us.af.mil](mailto:429SCMS.SASPO.Workflow@us.af.mil)

-Company, -Address, -Name(s), -Email(s), -Phone, and,  
-Your questions for Engineering.



# Gas Turbine Compressor Disk

**Alternate Sourcing – New Buy**

**Tinker AFB – 421 SCMS**



MD:	E-3	
TMS:	TF33-PW-100A	
NOUN:	Gas Turbine Compressor Disk	
NSN:	2840011606498	
P/N:	750415	
Buy Price:	\$40,133.50	
Date Last Procured:	9/19/2018	
Repair Cost:	\$1,348.00	
AAC:	M	
Surplus Available:	14	
QPA/APPL Rate:	1	100
Replacement Rate:	38	



- 9TH-STAGE COMPRESSOR DISK
- 11TH-STAGE COMPRESSOR DISK
- 13TH-STAGE COMPRESSOR DISK
- 13TH-STAGE COMPRESSOR CONE SEAL
- 1ST-STAGE TURBINE DISK
- 2ND-STAGE TURBINE DISK
- 3RD-STAGE TURBINE DISK
- 4TH-STAGE TURBINE DISK
- 2ND-STAGE TURBINE SPACER

Out Year Requirements: BUY									
FY20:	0	FY21:	8	FY22:	10	FY23:	0	FY24:	7

Out Year Requirements: REPAIR									
FY20:	0	FY21:	0	FY22:	0	FY23:	0	FY24:	0

761:	Available	762:	Unavailable
EDL:	Unavailable	RDL:	Unavailable

## COMMENTS

**Interested vendors should submit a Source Approval Request (SAR) and obtain a licensing agreement with Pratt & Whitney**



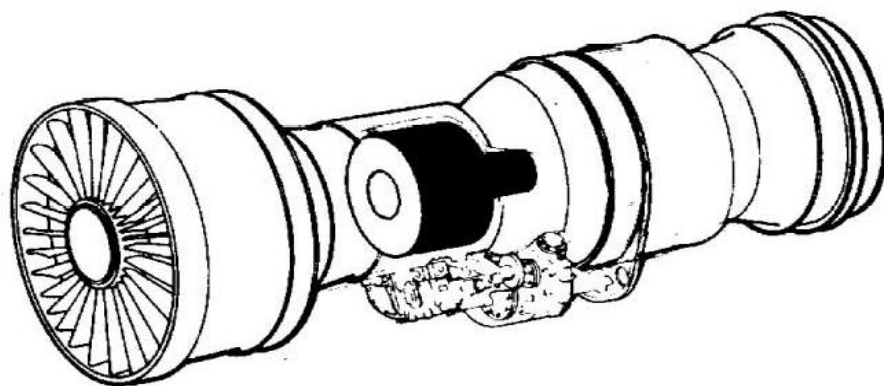
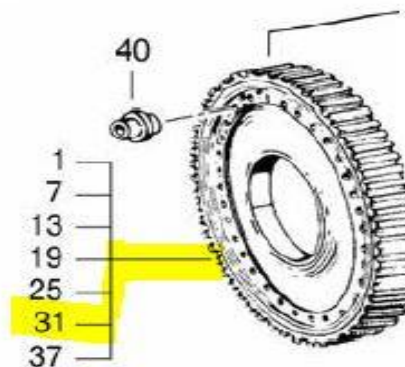
# Gas Turbine Compressor Disk

## Alternate Sourcing – New Buy

### Tinker AFB – 421 SCMS



AMC/AMSC:	3	V
RMC/RMSC:	N/A	N/A
Material:	PWA 749 or PWA 768 Low Alloy Steel	
Dimensions:	18.88"L X 18.88"W X 1.23"H X 40 LBS	
Criticality Code:	F	
Drawings Available:	Yes	
Drawing #:	750415	
T.O. Available:	Yes	
T.O. #:	2J-TF33-34	
Budget Code:	8	
Drawing Cage Code:	77445	
Mesh File Available:	Unavailable	
Next Higher Asmby:	2840011605511	



If you would like to participate in the Technical Discussion on

**April 27, 2020, at 10:30-11:30 (CST)**

provide the following, NLT

**April 23, 2020**

[429SCMS.SASPO.Workflow@us.af.mil](mailto:429SCMS.SASPO.Workflow@us.af.mil)

- Company, -Address, -Name(s), -Email(s), -Phone, and,
- Your questions for Engineering.





# Sparkigniter Guide

Alternate Sourcing – New Buy

Tinker AFB – 421 SCMS



MD:	B-52, C-135	
TMS:	TF33-P-103; TF33-P-5; TF33-P-9	
NOUN:	Sparkigniter Guide	
NSN:	2840008036719	
P/N:	195688	
Buy Price:	\$436.97	
Date Last Procured:	2/1/2019	
Repair Cost:	\$0.00	
AAC:	Z	
Surplus Available:	60	
QPA/APPL Rate:	2	100
Replacement Rate:	6	



Out Year Requirements: BUY									
FY20:	0	FY21:	0	FY22:	0	FY23:	0	FY24:	114

Out Year Requirements: REPAIR									
FY20:	0	FY21:	0	FY22:	0	FY23:	0	FY24:	0

761:	Unavailable	762:	Unavailable
EDL:	Unavailable	RDL:	Unavailable

## COMMENTS

**Interested vendors should submit a Source Approval Request (SAR) and obtain a licensing agreement with Pratt & Whitney**





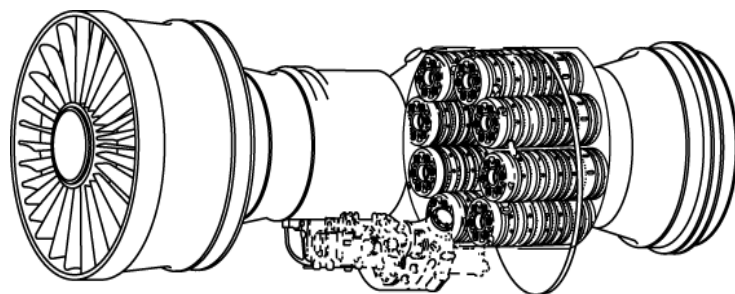
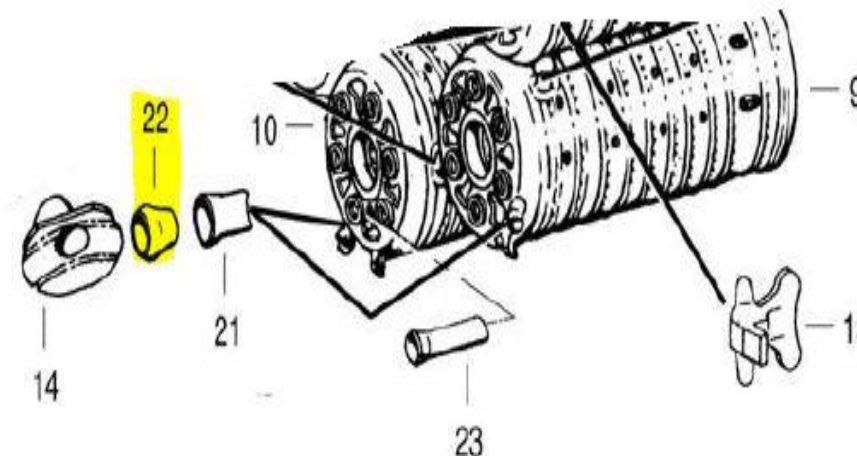
# Sparkigniter Guide

## Alternate Sourcing – New Buy

### Tinker AFB – 421 SCMS



AMC/AMSC:	3	D
RMC/RMSC:	N/A	N/A
Material:	Not Available	
Dimensions:	Not Available	
Criticality Code:	X	
Drawings Available:	No	
Drawing #:	195688	
T.O. Available:	Yes	
T.O. #:	2J-TF33-4	
Budget Code:	9	
Drawing Cage Code:	77445	
Mesh File Available:	Unavailable	
Next Higher Asmbly:	2840008285226	



If you would like to participate in the Technical Discussion on

**April 27, 2020, at 10:30-11:30 (CST)**

provide the following, NLT

**April 23, 2020**

[429SCMS.SASPO.Workflow@us.af.mil](mailto:429SCMS.SASPO.Workflow@us.af.mil)

-Company, -Address, -Name(s), -Email(s), -Phone, and,  
-Your questions for Engineering.



# Strainer Element AS

Alternate Sourcing – New Buy

Tinker AFB – 421 SCMS



MD:	B-52, C-135	
TMS:	TF33-PW-100A	
NOUN:	Strainer Element AS	
NSN:	2840000659047	
P/N:	471992	
Buy Price:	\$295.58	
Date Last Procured:	9/19/2019	
Repair Cost:	\$0.00	
AAC:	D	
Surplus Available:	10	
QPA/APPL Rate:	1	100
Replacement Rate:	40	



Out Year Requirements: BUY									
FY20:	129	FY21:	129	FY22:	129	FY23:	129	FY24:	129

Out Year Requirements: REPAIR									
FY20:	0	FY21:	0	FY22:	0	FY23:	0	FY24:	0

761:	Available	762:	Unavailable
EDL:	Available	RDL:	Unavailable

## COMMENTS

**Interested vendors should submit a Source Approval Request (SAR) and obtain a licensing agreement with Pratt & Whitney**



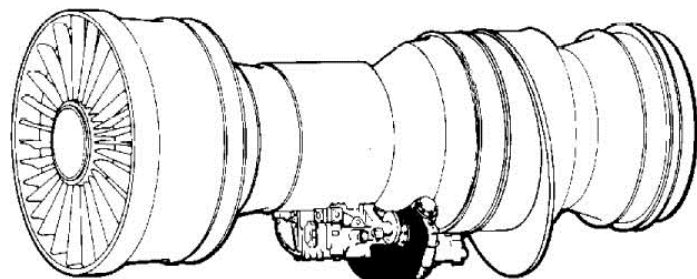
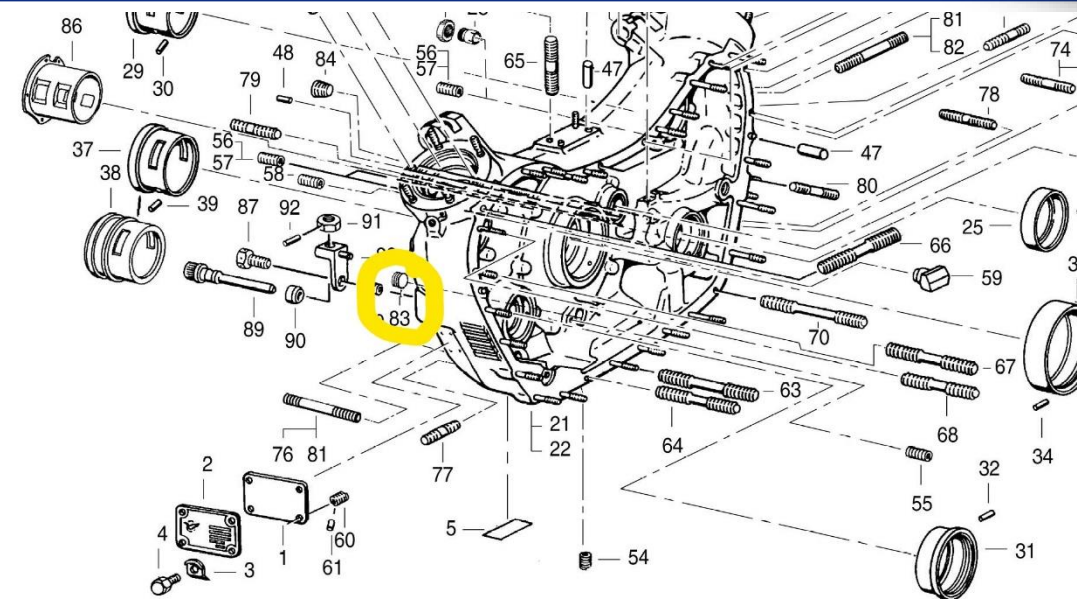
# Strainer Element AS

## Alternate Sourcing – New Buy

### Tinker AFB – 421 SCMS



AMC/AMSC:	3	P
RMC/RMSC:	N/A	N/A
Material:	Unavailable	
Dimensions:	Unavailable	
Criticality Code:	Y	
Drawings Available:	No	
Drawing #:	471992	
T.O. Available:	Yes	
T.O. #:	2J-TF33-14	
Budget Code:	9	
Drawing Cage Code:	77445	
Mesh File Available:	Unavailable	
Next Higher Asmby:	Accessory Gearbox	



If you would like to participate in the Technical Discussion on

**April 27, 2020, at 10:30-11:30 (CST)**

provide the following, NLT

**April 23, 2020**

[429SCMS.SASPO.Workflow@us.af.mil](mailto:429SCMS.SASPO.Workflow@us.af.mil)

- Company, -Address, -Name(s), -Email(s), -Phone, and,
- Your questions for Engineering.



# Gas Turbine Metallic Seal

**Alternate Sourcing – New Buy**

Tinker AFB – 421 SCMS



MD:	C-135	
TMS:	TF33-P-5; TF33-P-9	
NOUN:	Gas Turbine Metallic Seal	
NSN:	2840000752660	
P/N:	732795	
Buy Price:	\$4,043.89	
Date Last Procured:	10/1/2013	
Repair Cost:	\$1,779.31	
AAC:	C	
Surplus Available:	196	
QPA/APPL Rate:	1	100
Replacement Rate:	71	



Out Year Requirements: BUY									
FY20:	0	FY21:	8	FY22:	6	FY23:	6	FY24:	5

Out Year Requirements: REPAIR									
FY20:	0	FY21:	0	FY22:	0	FY23:	0	FY24:	0

761:	Available	762:	Unavailable
EDL:	Available	RDL:	Unavailable

## COMMENTS

**Interested vendors should submit a Source Approval Request (SAR) and obtain a licensing agreement with Pratt & Whitney**





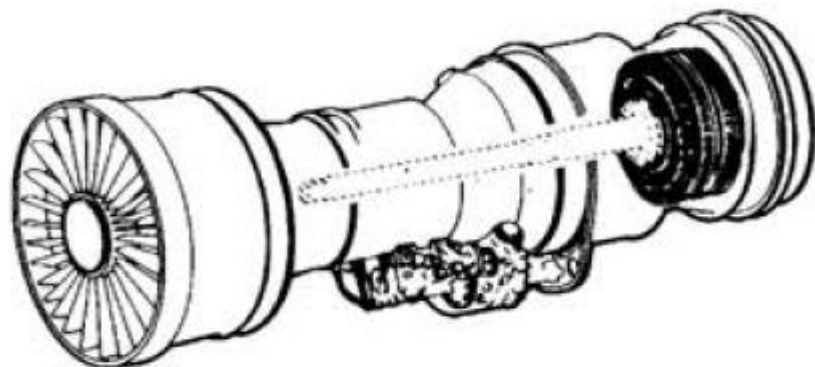
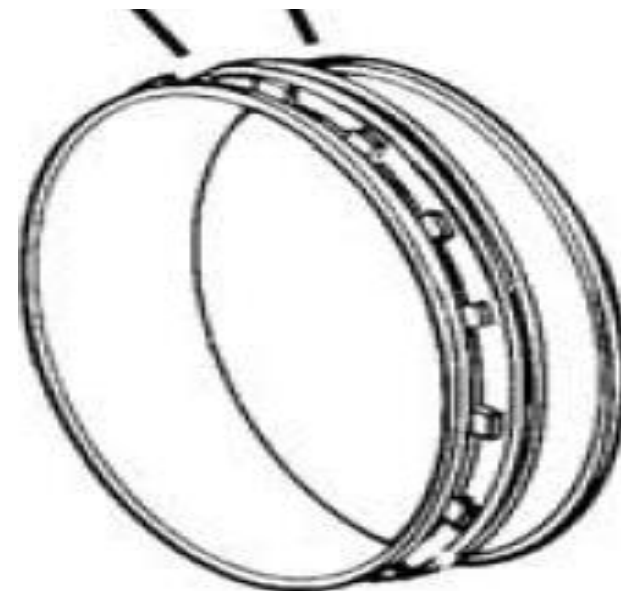
# Gas Turbine Metallic Seal

**Alternate Sourcing – New Buy**

**Tinker AFB – 421 SCMS**



AMC/AMSC:	3	P
RMC/RMSC:	N/A	N/A
Material:	AMS 5660 Nickel	
Dimensions:	15.42"L X 2.92"W X 15.42"H X 15 LBS	
Criticality Code:	Y	
Drawings Available:	Yes	
Drawing #:	732795	
T.O. Available:	Yes	
T.O. #:	2J-TF33-4	
Budget Code:	8	
Drawing Cage Code:	77445	
Mesh File Available:	Unavailable	
Next Higher Asmby:	2840000896150	



If you would like to participate in the Technical Discussion on

**April 27, 2020, at 10:30-11:30 (CST)**

provide the following, NLT

**April 23, 2020**

[429SCMS.SASPO.Workflow@us.af.mil](mailto:429SCMS.SASPO.Workflow@us.af.mil)

- Company, -Address, -Name(s), -Email(s), -Phone, and,
- Your questions for Engineering.





# Gas Turbine Compressor Hub

**Alternate Sourcing – New Buy**

Tinker AFB – 421 SCMS



MD:	C-135, E-8, B-52	
TMS:	TF33-PW-100A	
NOUN:	Gas Turbine Compressor Hub	
NSN:	2840009366356	
P/N:	762396	
Buy Price:	\$13,504.53	
Date Last Procured:	1/20/2016	
Repair Cost:	\$6,060.00	
AAC:	M	
Surplus Available:	6	
QPA/APPL Rate:	1	100
Replacement Rate:	60	



Out Year Requirements: BUY									
FY20:	73	FY21:	67	FY22:	70	FY23:	72	FY24:	68

Out Year Requirements: REPAIR									
FY20:	11	FY21:	0	FY22:	0	FY23:	0	FY24:	0

761:	Available	762:	Unavailable
EDL:	Unavailable	RDL:	Unavailable

## COMMENTS

**Interested vendors should submit a Source Approval Request (SAR) and obtain a licensing agreement with Pratt & Whitney**



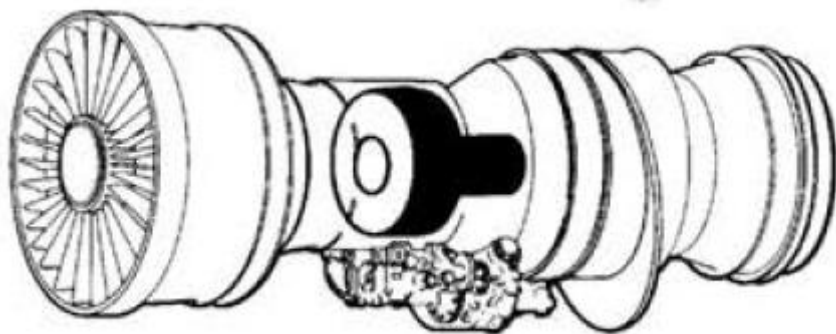
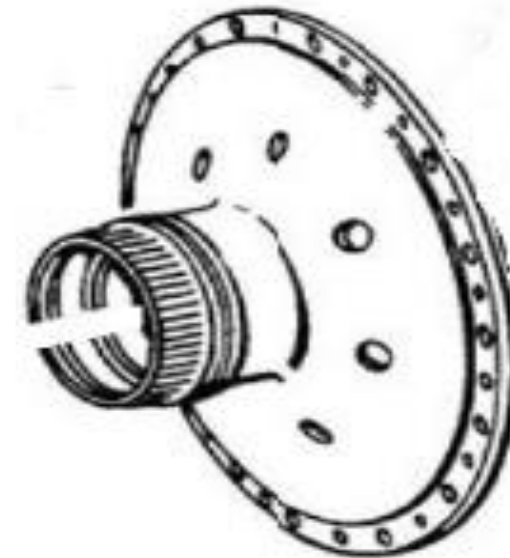
# Gas Turbine Compressor Hub

**Alternate Sourcing – New Buy**

**Tinker AFB – 421 SCMS**



<b>AMC/AMSC:</b>	<b>3</b>	<b>V</b>
<b>RMC/RMSC:</b>	<b>N/A</b>	<b>N/A</b>
<b>Material:</b>	<b>AMS 6304 Steel</b>	
<b>Dimensions:</b>	<b>18.71"L X 18.71"W X 6.42"H X 15 LBS</b>	
<b>Criticality Code:</b>	<b>F</b>	
<b>Drawings Available:</b>	<b>Yes</b>	
<b>Drawing #:</b>	<b>762396</b>	
<b>T.O. Available:</b>	<b>Yes</b>	
<b>T.O. #:</b>	<b>2J-TF33-4</b>	
<b>Budget Code:</b>	<b>8</b>	
<b>Drawing Cage Code:</b>	<b>77445</b>	
<b>Mesh File Available:</b>	<b>Unavailable</b>	
<b>Next Higher Asmbly:</b>	<b>Compressor Rotor, Multiple</b>	



If you would like to participate in the Technical Discussion on

**April 27, 2020, at 10:30-11:30 (CST)**

provide the following, NLT

**April 23, 2020**

[429SCMS.SASPO.Workflow@us.af.mil](mailto:429SCMS.SASPO.Workflow@us.af.mil)

-Company, -Address, -Name(s), -Email(s), -Phone, and,  
-Your questions for Engineering.



# Gas Turbine Compressor Disk

**Alternate Sourcing – New Buy**

**Tinker AFB – 421 SCMS**



<b>MD:</b>	E-8, C-135	
<b>TMS:</b>	TF33-P-102C; TF33-P-5; TF33-P-9	
<b>NOUN:</b>	Gas Turbine Compressor Disk	
<b>NSN:</b>	2840008168555	
<b>P/N:</b>	762411	
<b>Buy Price:</b>	\$10,653.52	
<b>Date Last Procured:</b>	9/30/2005	
<b>Repair Cost:</b>	\$1,113.00	
<b>AAC:</b>	M	
<b>Surplus Available:</b>	7	
<b>QPA/APPL Rate:</b>	1	100
<b>Replacement Rate:</b>	100	



9TH-STAGE COMPRESSOR DISK  
 11TH-STAGE COMPRESSOR DISK  
 13TH-STAGE COMPRESSOR DISK  
 13TH-STAGE COMPRESSOR CONE SEAL

1ST-STAGE TURBINE DISK  
 2ND-STAGE TURBINE DISK  
 3RD-STAGE TURBINE DISK  
 4TH-STAGE TURBINE DISK  
 2ND-STAGE TURBINE SPACER

Out Year Requirements: BUY									
<b>FY20:</b>	18	<b>FY21:</b>	19	<b>FY22:</b>	20	<b>FY23:</b>	19	<b>FY24:</b>	17

Out Year Requirements: REPAIR									
<b>FY20:</b>	0	<b>FY21:</b>	0	<b>FY22:</b>	0	<b>FY23:</b>	0	<b>FY24:</b>	0

<b>761:</b>	Available	<b>762:</b>	Unavailable
<b>EDL:</b>	Unavailable	<b>RDL:</b>	Unavailable

## COMMENTS

**Interested vendors should submit a Source Approval Request (SAR) and obtain a licensing agreement with Pratt & Whitney**



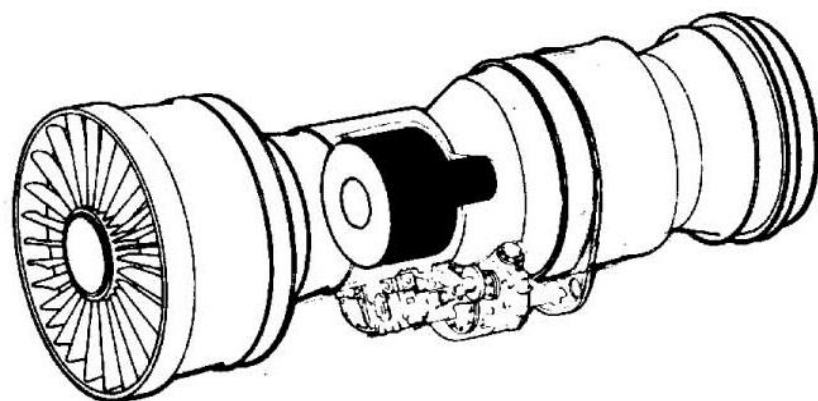
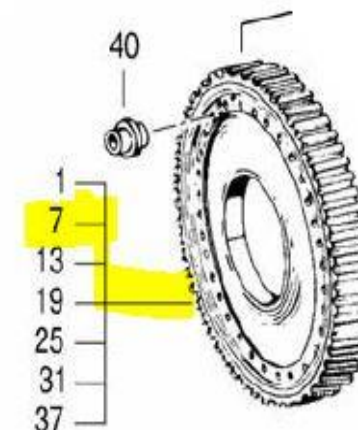
# Gas Turbine Compressor Disk

**Alternate Sourcing – New Buy**

**Tinker AFB – 421 SCMS**



AMC/AMSC:	3	V
RMC/RMSC:	N/A	N/A
Material:	PWA 749 Steel	
Dimensions:	19.08"L X 19.08"W X 3"H X 15 LBS	
Criticality Code:	Y	
Drawings Available:	Yes	
Drawing #:	762411	
T.O. Available:	Yes	
T.O. #:	2J-TF33-4/-34	
Budget Code:	8	
Drawing Cage Code:	77445	
Mesh File Available:	Unavailable	
Next Higher Asmby:	2840011605511, 2840014741294	



If you would like to participate in the Technical Discussion on

**April 27, 2020, at 10:30-11:30 (CST)**

provide the following, NLT

**April 23, 2020**

[429SCMS.SASPO.Workflow@us.af.mil](mailto:429SCMS.SASPO.Workflow@us.af.mil)

- Company, -Address, -Name(s), -Email(s), -Phone, and,
- Your questions for Engineering.





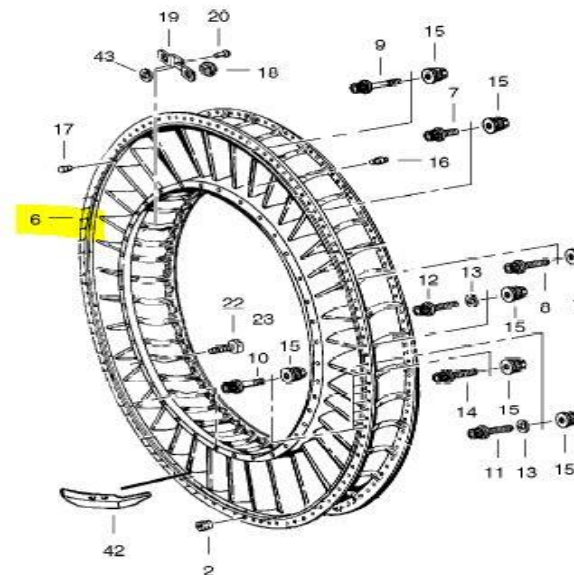
# Fan Discharge Case

Alternate Sourcing – Repair

Tinker AFB – 421 SCMS



MD:	E-3, C-135	
TMS:	TF33-P-102C; TF33-P-5; TF33-P-9	
NOUN:	Fan Discharge Case	
NSN:	2840011594264	
P/N:	506374	
Buy Price:	\$160,709.52	
Date Last Procured:	4/16/2013	
Repair Cost:	\$35,356.09	
AAC:	C	
Surplus Available:	2	
QPA/APPL Rate:	1	100
Replacement Rate:	80	



Out Year Requirements: BUY									
FY20:	0	FY21:	0	FY22:	0	FY23:	0	FY24:	0

Out Year Requirements: REPAIR									
FY20:	4	FY21:	7	FY22:	6	FY23:	6	FY24:	4

761:	Available	762:	Unavailable
EDL:	Unavailable	RDL:	Unavailable

## COMMENTS

**Interested vendors should submit a Source Approval Request (SAR) and obtain a licensing agreement with Pratt & Whitney**





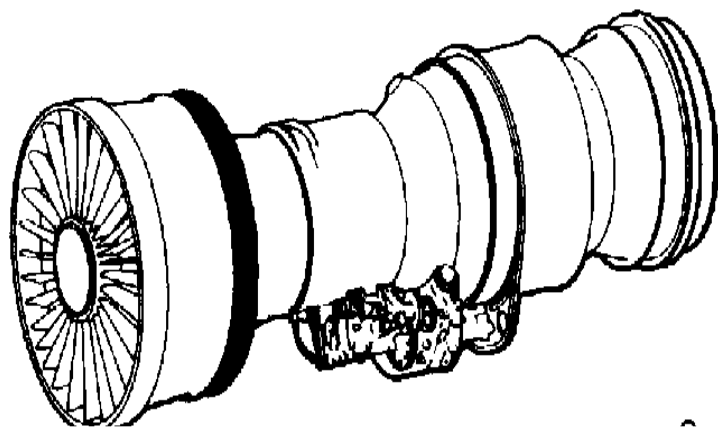
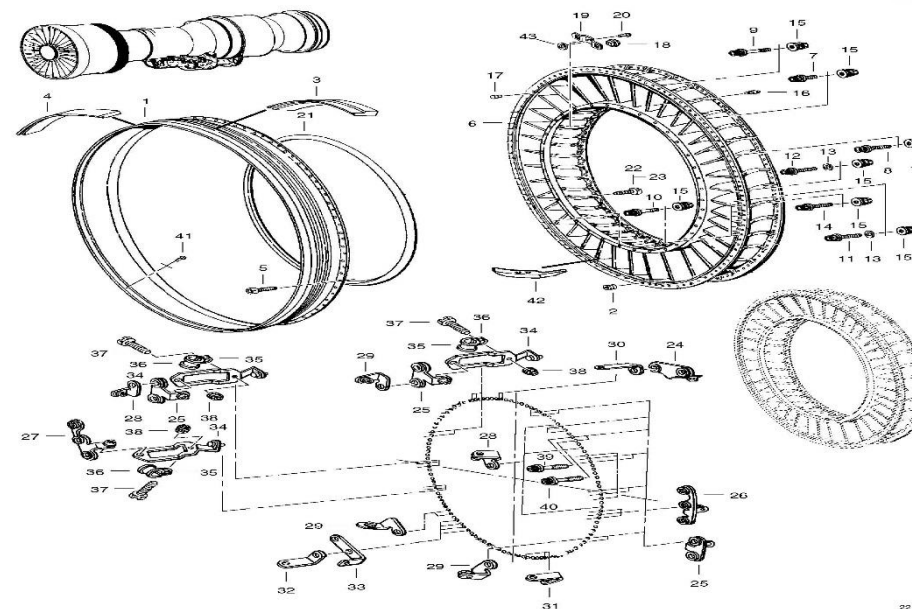
# Fan Discharge Case

## Alternate Sourcing – Repair

### Tinker AFB – 421 SCMS



AMC/AMSC:	3	P
RMC/RMSC:	N/A	N/A
Material:	Cadmium Plating	
Dimensions:	48.06"L X 4.41"W X 48.06"H X 50 LBS	
Criticality Code:	Y	
Drawings Available:	No	
Drawing #:	506374	
T.O. Available:	Yes	
T.O. #:	2J-TF33-34	
Budget Code:	8	
Drawing Cage Code:	77445	
Mesh File Available:	Unavailable	
Next Higher Asmby:	2840014648708	



If you would like to participate in the Technical Discussion on

**April 27, 2020, at 10:30-11:30 (CST)**

provide the following, NLT

**April 23, 2020**

[429SCMS.SASPO.Workflow@us.af.mil](mailto:429SCMS.SASPO.Workflow@us.af.mil)

- Company, -Address, -Name(s), -Email(s), -Phone, and,
- Your questions for Engineering.



# Gas Turbine Compressor Case

**Alternate Sourcing – New Buy**

Tinker AFB – 421 SCMS



MD:	B-52, C-135	
TMS:	TF33-P-103; TF33-P-5; TF33-P-9	
NOUN:	Gas Turbine Compressor Case	
NSN:	2840007877837	
P/N:	364873	
Buy Price:	\$13,795.82	
Date Last Procured:	9/20/2017	
Repair Cost:	\$4,690.57	
AAC:	C	
Surplus Available:	3	
QPA/APPL Rate:	1	100
Replacement Rate:	100	



Out Year Requirements: BUY									
FY20:	91	FY21:	99	FY22:	85	FY23:	94	FY24:	92

Out Year Requirements: REPAIR									
FY20:	0	FY21:	0	FY22:	0	FY23:	0	FY24:	0

761:	Available	762:	Unavailable
EDL:	Available	RDL:	Unavailable

## COMMENTS

**Interested vendors should submit a Source Approval Request (SAR)**



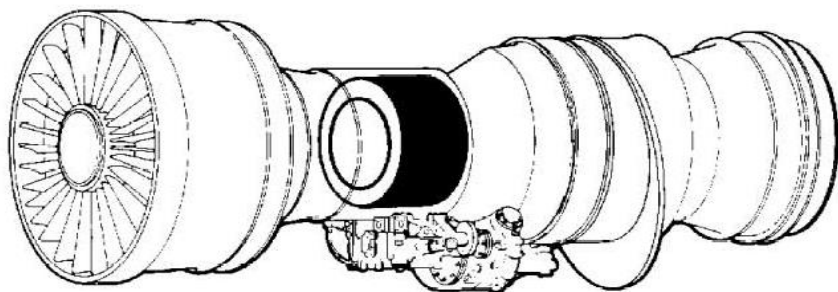
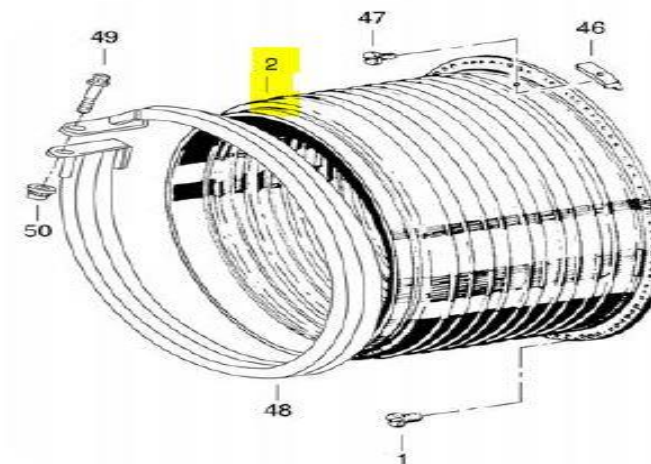
# Gas Turbine Compressor Case

**Alternate Sourcing – New Buy**

**Tinker AFB – 421 SCMS**



<b>AMC/AMSC:</b>	<b>1</b>	<b>C</b>
<b>RMC/RMSC:</b>	<b>N/A</b>	<b>N/A</b>
<b>Material:</b>	<b>AMS 5613 Stainless Steel</b>	
<b>Dimensions:</b>	<b>29.74"L X 13.13"W X 29.74"H X 75 LBS Approx 3' OD X 2' H X 0.1" THK with 1.0" Flange on one end</b>	
<b>Criticality Code:</b>	<b>Y</b>	
<b>Drawings Available:</b>	<b>Yes</b>	
<b>Drawing #:</b>	<b>364873</b>	
<b>T.O. Available:</b>	<b>Yes</b>	
<b>T.O. #:</b>	<b>2J-TF33-4</b>	
<b>Budget Code:</b>	<b>8</b>	
<b>Drawing Cage Code:</b>	<b>77445</b>	
<b>Mesh File Available:</b>	<b>Unavailable</b>	
<b>Next Higher Asmbly:</b>	<b>High Speed Compressor, Multiple</b>	



If you would like to participate in the Technical Discussion on

**April 27, 2020, at 10:30-11:30 (CST)**

provide the following, NLT

**April 23, 2020**

[429SCMS.SASPO.Workflow@us.af.mil](mailto:429SCMS.SASPO.Workflow@us.af.mil)

-Company, -Address, -Name(s), -Email(s), -Phone, and,  
-Your questions for Engineering.





# Gas Turbine Compressor Blade

**Alternate Sourcing – Repair**

Tinker AFB – 421 SCMS



MD:	E-8	
TMS:	TF33-P-102C	
NOUN:	Gas Turbine Compressor Blade	
NSN:	2840014583129	
P/N:	578041	
Buy Price:	\$6,039.87	
Date Last Procured:	5/28/2014	
Repair Cost:	\$540.00	
AAC:	C	
Surplus Available:	50	
QPA/APPL Rate:	16	100
Replacement Rate:	38	



Out Year Requirements: BUY									
FY20:	0	FY21:	0	FY22:	0	FY23:	0	FY24:	0

Out Year Requirements: REPAIR									
FY20:	10	FY21:	188	FY22:	194	FY23:	185	FY24:	182

761:	Available	762:	Available
EDL:	Unavailable	RDL:	Available

## COMMENTS

**Interested vendors should submit a Source Approval Request (SAR) and obtain a licensing agreement with Pratt & Whitney**



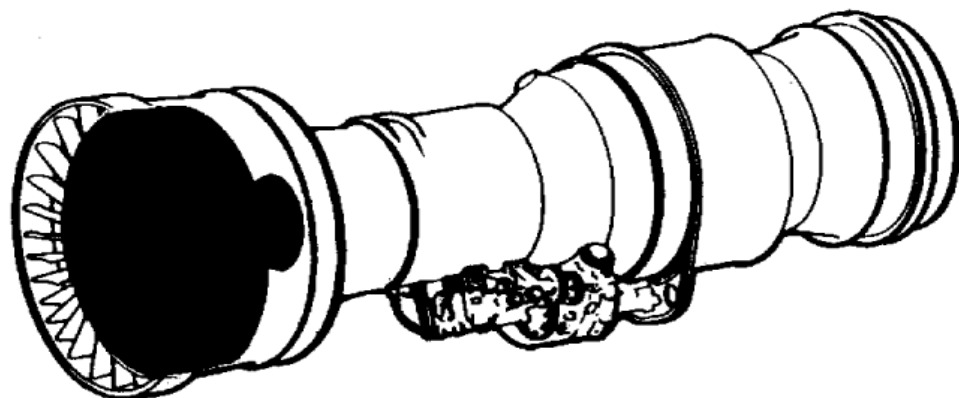
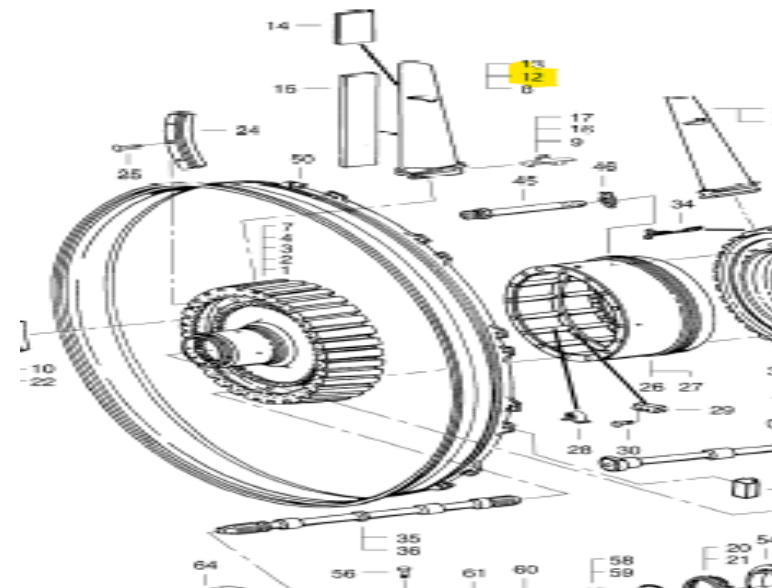
# Gas Turbine Compressor Blade

**Alternate Sourcing – Repair**

Tinker AFB – 421 SCMS



AMC/AMSC:	3	V
RMC/RMSC:	1	V
Material:	Titanium Alloy AMS 4928	
Dimensions:	17.25"L X 4.5"W X 4"H X 1.5 LBS	
Criticality Code:	F	
Drawings Available:	No	
Drawing #:	578041	
T.O. Available:	Yes	
T.O. #:	2J-TF33-34	
Budget Code:	8	
Drawing Cage Code:	77445	
Mesh File Available:	Unavailable	
Next Higher Asmbly:	2840014648708	



If you would like to participate in the Technical Discussion on

**April 27, 2020, at 10:30-11:30 (CST)**

provide the following, NLT

**April 23, 2020**

[429SCMS.SASPO.Workflow@us.af.mil](mailto:429SCMS.SASPO.Workflow@us.af.mil)

-Company, -Address, -Name(s), -Email(s), -Phone, and,  
-Your questions for Engineering.





# Gas Turbine Compressor Blade

**Alternate Sourcing – New Buy**

Tinker AFB – 421 SCMS



MD:	E-8, C-135, E-3	
TMS:	TF33-PW-100A	
NOUN:	Gas Turbine Compressor Blade	
NSN:	2840011606478	
P/N:	753110	
Buy Price:	\$437.62	
Date Last Procured:	4/29/2019	
Repair Cost:	\$129.00	
AAC:	C	
Surplus Available:	285	
QPA/APPL Rate:	73	100
Replacement Rate:	21	



Out Year Requirements: BUY									
FY20:	0	FY21:	1331	FY22:	1945	FY23:	1823	FY24:	1899

Out Year Requirements: REPAIR									
FY20:	0	FY21:	3	FY22:	0	FY23:	0	FY24:	0

761:	Available	762:	Unavailable
EDL:	Available	RDL:	Unavailable

## COMMENTS

**Interested vendors should submit a Source Approval Request (SAR) and obtain a licensing agreement with Pratt & Whitney**



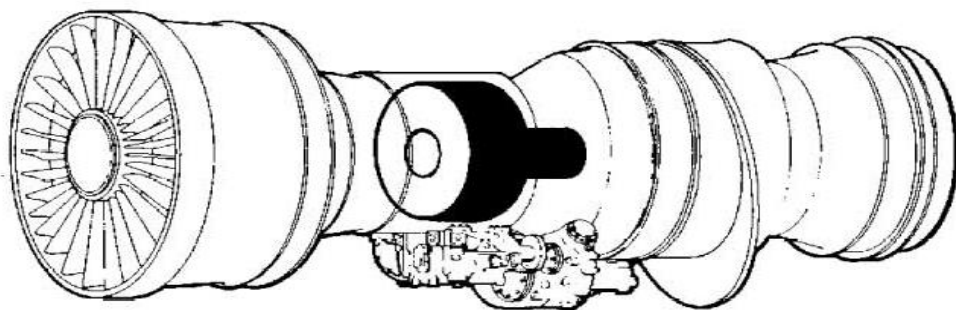
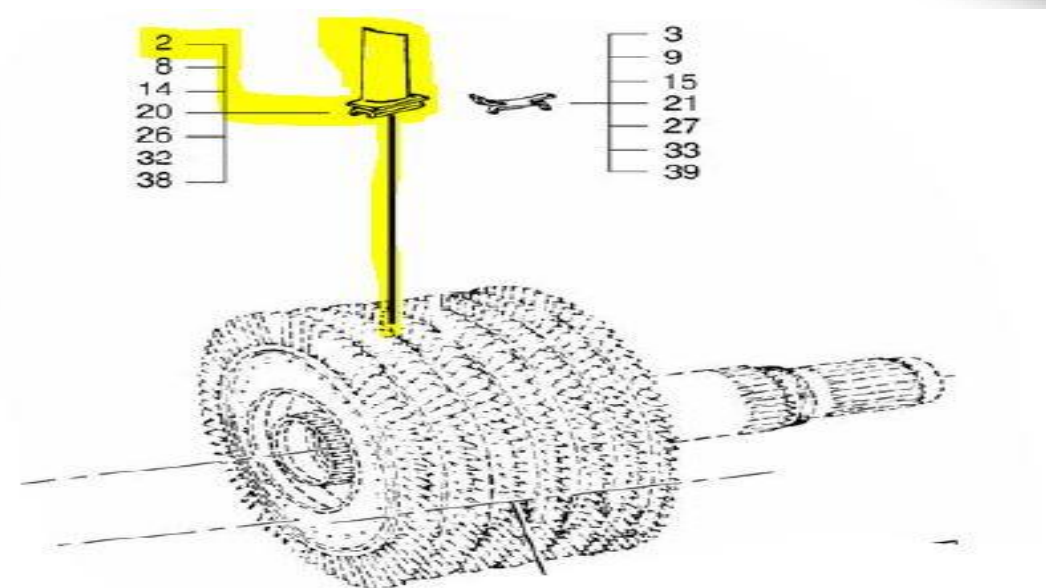
# Gas Turbine Compressor Blade

Alternate Sourcing – New Buy

Tinker AFB – 421 SCMS



AMC/AMSC:	3	R
RMC/RMSC:	N/A	N/A
Material:	AMS 5616 Steel	
Dimensions:	3.28"L X 1.2"W X 0.5"H X 6 OZ	
Criticality Code:	Y	
Drawings Available:	Yes	
Drawing #:	753110	
T.O. Available:	Yes	
T.O. #:	2J-TF33-4/-34/-44	
Budget Code:	8	
Drawing Cage Code:	77445	
Mesh File Available:	Unavailable	
Next Higher Asmbly:	High Speed Compressor, Multiple	



If you would like to participate in the Technical Discussion on

**April 27, 2020, at 10:30-11:30 (CST)**

provide the following, NLT

**April 23, 2020**

[429SCMS.SASPO.Workflow@us.af.mil](mailto:429SCMS.SASPO.Workflow@us.af.mil)

-Company, -Address, -Name(s), -Email(s), -Phone, and,  
-Your questions for Engineering.



# Gas Turbine Compressor Blade Set

**Alternate Sourcing – New Buy**

**Tinker AFB – 421 SCMS**



MD:	E-3	
TMS:	TF33-PW-100A	
NOUN:	Gas Turbine Compressor Blade Set	
NSN:	2840004399224	
P/N:	410033	
Buy Price:	\$828.15	
Date Last Procured:	4/15/2019	
Repair Cost:	\$64.00	
AAC:	C	
Surplus Available:	1735	
QPA/APPL Rate:	51	100
Replacement Rate:	0	



Out Year Requirements: BUY					
FY20:	2684	FY21:	2513	FY22:	2679
FY23:	2502	FY24:	2626		

Out Year Requirements: REPAIR					
FY20:	0	FY21:	0	FY22:	0
FY23:	0	FY24:	0		

761:	Available	762:	Unavailable
EDL:	Available	RDL:	Unavailable

## COMMENTS

**Interested vendors should submit a Source Approval Request (SAR) and obtain a licensing agreement with Pratt & Whitney**

**No repair - recently transferred from DLA to USAF**





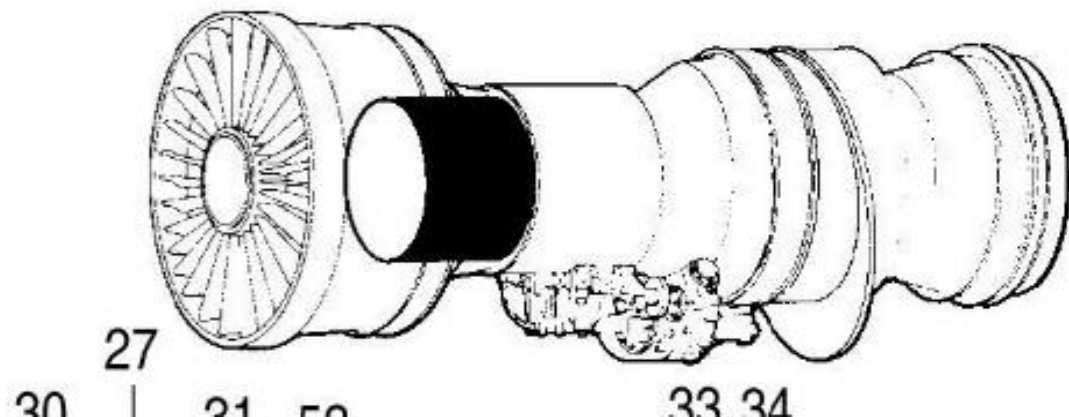
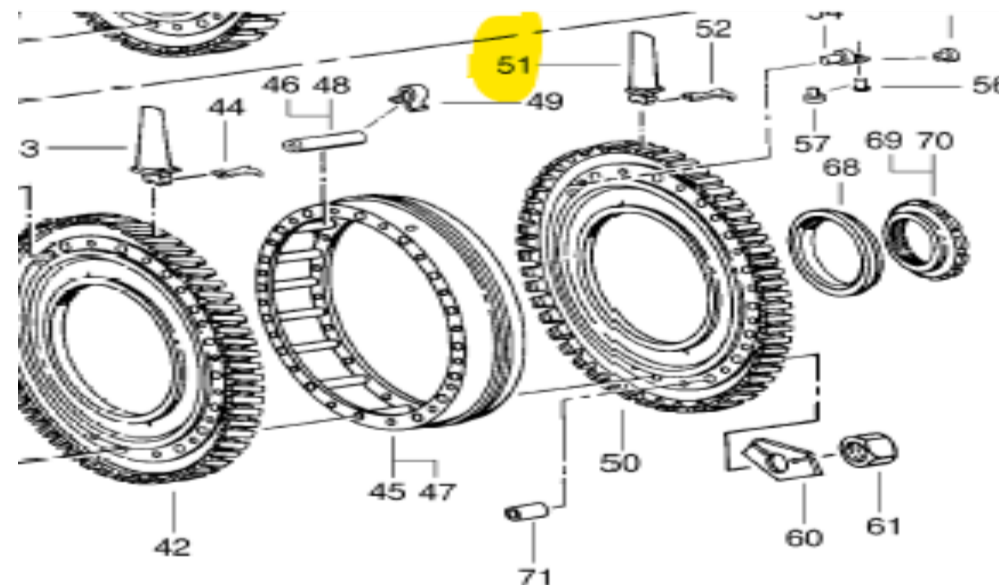
# Gas Turbine Compressor Blade Set

Alternate Sourcing – New Buy

Tinker AFB – 421 SCMS



AMC/AMSC:	3	P
RMC/RMSC:	N/A	N/A
Material:	TITANIUM AMS 4928	
Dimensions:	L 4.1" X W 1.5" X H 4.1; 0.5 LB; APPROX SIZE 1 1/2 WIDE BY 1/3 AT THE ROOT TAPERED TO 1.0 WIDE BY 1/8 INCH THICK	
Criticality Code:	Y	
Drawings Available:	No	
Drawing #:	410033	
T.O. Available:	Yes	
T.O. #:	2J-TF33-4; 2J-TF33-34; 2J-TF33-44	
Budget Code:	8	
Drawing Cage Code:	77445	
Mesh File Available:	Unavailable	
Next Higher Asmby:	TF33 Engine	



If you would like to participate in the Technical Discussion on

**April 27, 2020, at 10:30-11:30 (CST)**

provide the following, NLT

**April 23, 2020**

[429SCMS.SASPO.Workflow@us.af.mil](mailto:429SCMS.SASPO.Workflow@us.af.mil)

- Company, -Address, -Name(s), -Email(s), -Phone, and,
- Your questions for Engineering.



# Spur Gearshaft

## Alternate Sourcing – New Buy

### Tinker AFB – 421 SCMS



MD:	B-52, E-8	
TMS:	TF33-P-102C	
NOUN:	Spur Gearshaft	
NSN:	3040011596810	
P/N:	460297	
Buy Price:	\$4,880.71	
Date Last Procured:	10/1/2019	
Repair Cost:	\$0.00	
AAC:	D	
Surplus Available:	0	
QPA/APPL Rate:	1	0
Replacement Rate:	0	



Out Year Requirements: BUY									
FY20:	3	FY21:	3	FY22:	3	FY23:	3	FY24:	3

Out Year Requirements: REPAIR									
FY20:	0	FY21:	0	FY22:	0	FY23:	0	FY24:	0

761:	Unavailable	762:	Unavailable
EDL:	Unavailable	RDL:	Unavailable

**COMMENTS**

**Interested vendors should submit a Source Approval Request (SAR)**



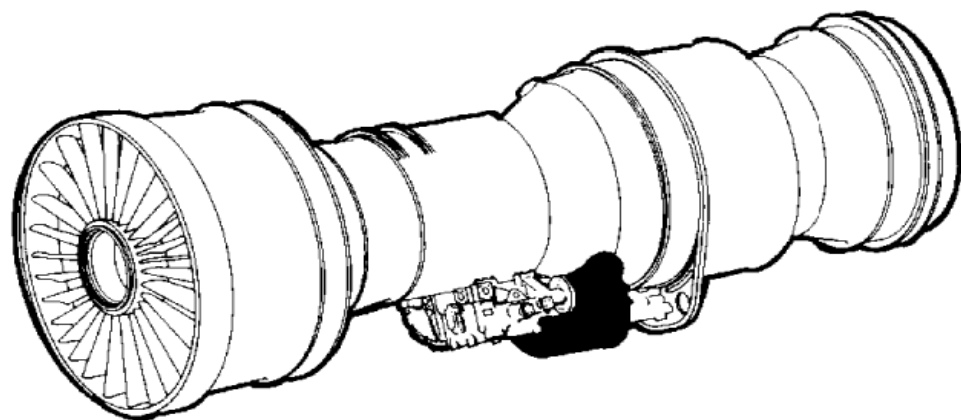
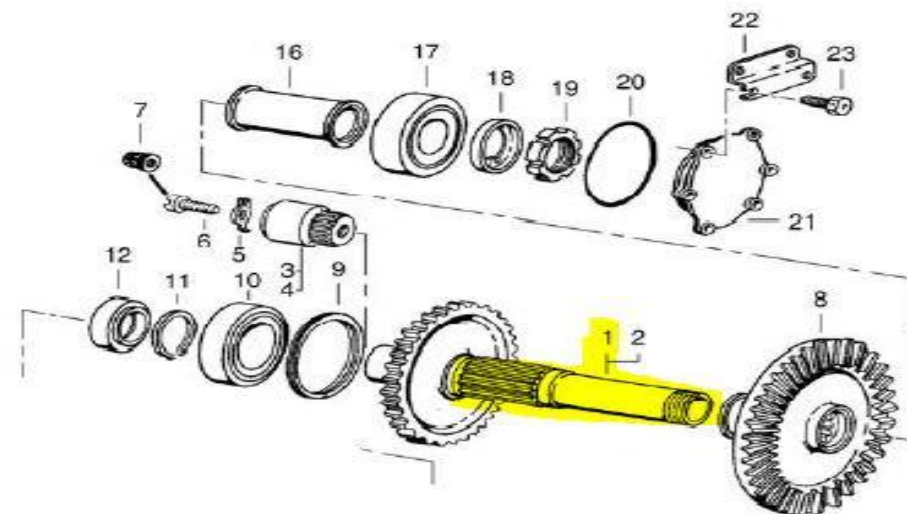


# Spur Gearshaft

Alternate Sourcing – New Buy  
Tinker AFB – 421 SCMS



AMC/AMSC:	3	C
RMC/RMSC:	N/A	N/A
Material:	AMS 6260 Steel	
Dimensions:	6.473" Dia Gear; 1.576" Dia 1st Hub; 1.969" Dia 2nd Hub	
Criticality Code:	X	
Drawings Available:	Yes	
Drawing #:	460297	
T.O. Available:	Yes	
T.O. #:	2J-TF33-34	
Budget Code:	9	
Drawing Cage Code:	77445	
Mesh File Available:	Unavailable	
Next Higher Asmby:	2840013016329 & 2840011611125	



If you would like to participate in the Technical Discussion on  
**April 27, 2020, at 10:30-11:30 (CST)**  
 provide the following, NLT  
**April 23, 2020**  
[429SCMS.SASPO.Workflow@us.af.mil](mailto:429SCMS.SASPO.Workflow@us.af.mil)  
 -Company, -Address, -Name(s), -Email(s), -Phone, and,  
 -Your questions for Engineering.



# Spur Gearshaft

## Alternate Sourcing – New Buy

### Tinker AFB – 421 SCMS



MD:	E-3	
TMS:	TF33-PW-100A	
NOUN:	Spur Gearshaft	
NSN:	3040012403568	
P/N:	801338	
Buy Price:	\$3,731.10	
Date Last Procured:	7/1/2019	
Repair Cost:	\$0.00	
AAC:	D	
Surplus Available:	1	
QPA/APPL Rate:	1	0
Replacement Rate:	0	



Out Year Requirements: BUY									
FY20:	4	FY21:	4	FY22:	4	FY23:	4	FY24:	4

Out Year Requirements: REPAIR									
FY20:	0	FY21:	0	FY22:	0	FY23:	0	FY24:	0

761:	Available	762:	Unavailable
EDL:	Available	RDL:	Unavailable

**COMMENTS**

**Interested vendors should submit a Source Approval Request (SAR)**

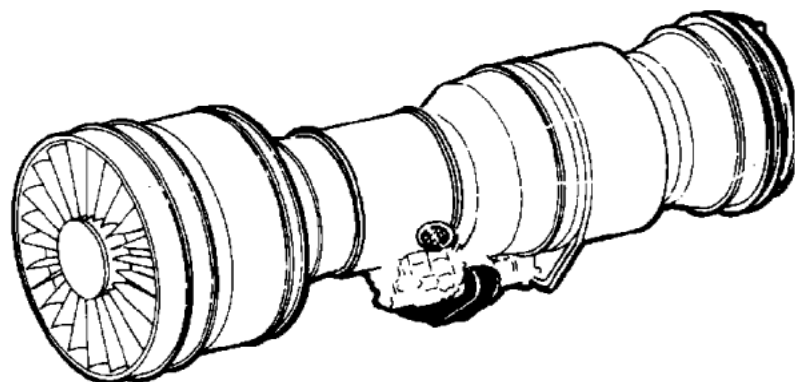
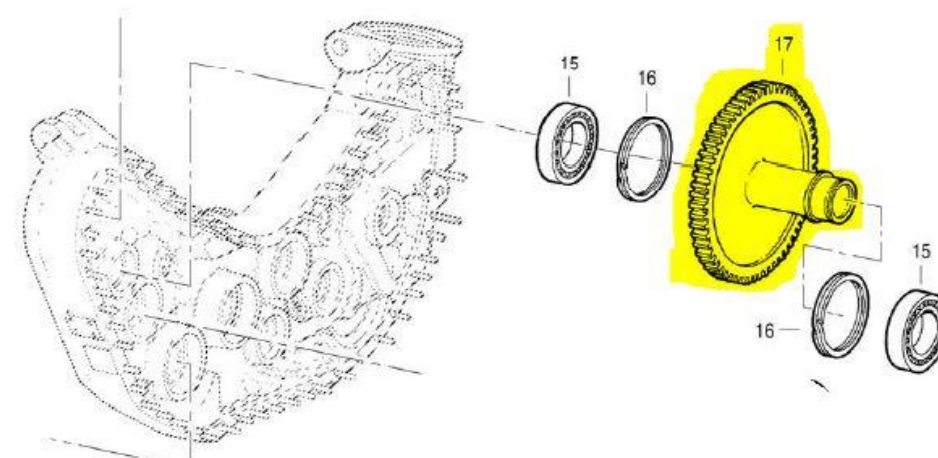


# Spur Gearshaft

Alternate Sourcing – New Buy  
Tinker AFB – 421 SCMS



AMC/AMSC:	2	C
RMC/RMSC:	N/A	N/A
Material:	Steel	
Dimensions:	Not Available	
Criticality Code:	F	
Drawings Available:	Yes	
Drawing #:	801338	
T.O. Available:	Yes	
T.O. #:	2J-TF33-44	
Budget Code:	9	
Drawing Cage Code:	77445	
Mesh File Available:	Unavailable	
Next Higher Asmbly:	2840012432539	



If you would like to participate in the Technical Discussion on  
**April 27, 2020, at 10:30-11:30 (CST)**  
provide the following, NLT  
**April 23, 2020**  
[429SCMS.SASPO.Workflow@us.af.mil](mailto:429SCMS.SASPO.Workflow@us.af.mil)  
-Company, -Address, -Name(s), -Email(s), -Phone, and,  
-Your questions for Engineering.



# Bevel-Spur Gearshaft

Alternate Sourcing – New Buy

Tinker AFB – 421 SCMS



MD:	E-3	
TMS:	TF33-PW-100A	
NOUN:	Bevel-Spur Gearshaft	
NSN:	3040012403566	
P/N:	801335	
Buy Price:	\$12,850.55	
Date Last Procured:	12/1/2018	
Repair Cost:	\$0.00	
AAC:	D	
Surplus Available:	0	
QPA/APPL Rate:	1	0
Replacement Rate:	0	



Out Year Requirements: BUY					
FY20:	3	FY21:	3	FY22:	3
FY23:	3	FY24:	3		

Out Year Requirements: REPAIR					
FY20:	0	FY21:	0	FY22:	0
FY23:	0	FY24:	0		

761:	Unavailable	762:	Unavailable
EDL:	Unavailable	RDL:	Unavailable

## COMMENTS

**Interested vendors should submit a Source Approval Request (SAR)**





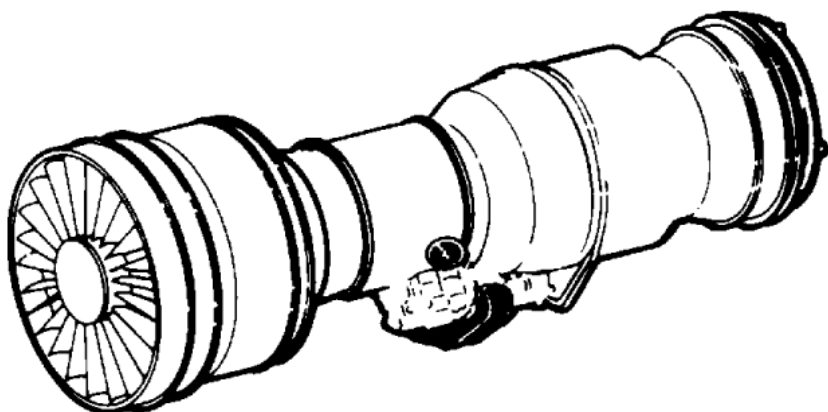
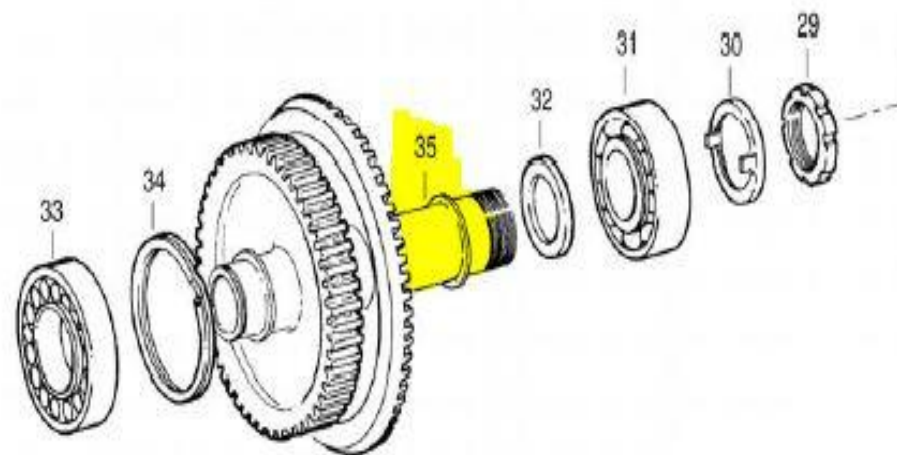
# Bevel-Spur Gearshaft

Alternate Sourcing – New Buy

Tinker AFB – 421 SCMS



AMC/AMSC:	3	C
RMC/RMSC:	N/A	N/A
Material:	Not Available	
Dimensions:	Not Available	
Criticality Code:	X	
Drawings Available:	Yes	
Drawing #:	801335	
T.O. Available:	Yes	
T.O. #:	2J-TF33-44	
Budget Code:	9	
Drawing Cage Code:	77445	
Mesh File Available:	Unavailable	
Next Higher Asmby:	2840012432539	



If you would like to participate in the Technical Discussion on  
**April 27, 2020, at 10:30-11:30 (CST)**  
 provide the following, NLT  
**April 23, 2020**  
[429SCMS.SASPO.Workflow@us.af.mil](mailto:429SCMS.SASPO.Workflow@us.af.mil)  
 -Company, -Address, -Name(s), -Email(s), -Phone, and,  
 -Your questions for Engineering.



# Spur Gearshaft

## Alternate Sourcing – New Buy

### Tinker AFB – 421 SCMS



MD:	E-8, B-52, C-135	
TMS:	TF33-P-102C	
NOUN:	Spur Gearshaft	
NSN:	3040009992143	
P/N:	653309	
Buy Price:	\$727.15	
Date Last Procured:	4/1/1974	
Repair Cost:	\$0.00	
AAC:	D	
Surplus Available:	17	
QPA/APPL Rate:	1	0
Replacement Rate:	0	



Out Year Requirements: BUY									
FY20:	0	FY21:	0	FY22:	0	FY23:	1	FY24:	1

Out Year Requirements: REPAIR									
FY20:	0	FY21:	0	FY22:	0	FY23:	0	FY24:	0

761:	Available	762:	Unavailable
EDL:	Available	RDL:	Unavailable

**COMMENTS**

**Interested vendors should submit a Source Approval Request (SAR)**

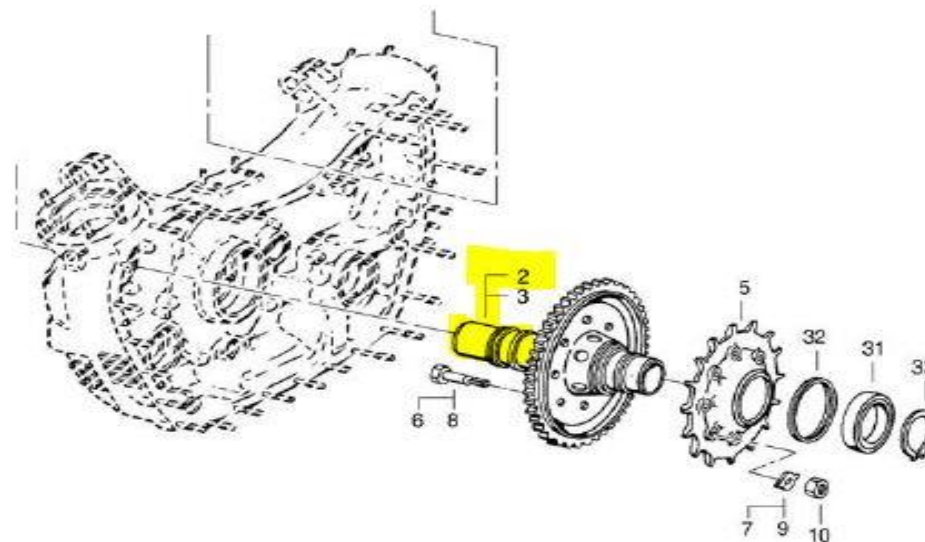


# Spur Gearshaft

Alternate Sourcing – New Buy  
Tinker AFB – 421 SCMS



AMC/AMSC:	1	C
RMC/RMSC:	N/A	N/A
Material:	Not Available	
Dimensions:	Not Available	
Criticality Code:	F	
Drawings Available:	Yes	
Drawing #:	653309	
T.O. Available:	Yes	
T.O. #:	2J-TF33-4	
Budget Code:	9	
Drawing Cage Code:	77445	
Mesh File Available:	Unavailable	
Next Higher Asmby:	2840006177659	



If you would like to participate in the Technical Discussion on

**April 27, 2020, at 10:30-11:30 (CST)**

provide the following, NLT

**April 23, 2020**

[429SCMS.SASPO.Workflow@us.af.mil](mailto:429SCMS.SASPO.Workflow@us.af.mil)

- Company, -Address, -Name(s), -Email(s), -Phone, and,
- Your questions for Engineering.



# Gas Turbine Compressor Blade

**Alternate Sourcing – New Buy**

**Tinker AFB – 421 SCMS**



<b>MD:</b>	<b>B-52</b>	
<b>TMS:</b>	<b>TF33-P-103</b>	
<b>NOUN:</b>	<b>Gas Turbine Compressor Blade</b>	
<b>NSN:</b>	<b>2840005335415</b>	
<b>P/N:</b>	<b>254514</b>	
<b>Buy Price:</b>	<b>\$285.82</b>	
<b>Date Last Procured:</b>	<b>9/1/2019</b>	
<b>Repair Cost:</b>	<b>\$0.00</b>	
<b>AAC:</b>	<b>D</b>	
<b>Surplus Available:</b>	<b>3966</b>	
<b>QPA/APPL Rate:</b>	<b>85</b>	<b>100</b>
<b>Replacement Rate:</b>	<b>0</b>	



Out Year Requirements: BUY									
<b>FY20:</b>	<b>420</b>	<b>FY21:</b>	<b>420</b>	<b>FY22:</b>	<b>420</b>	<b>FY23:</b>	<b>420</b>	<b>FY24:</b>	<b>420</b>

Out Year Requirements: REPAIR									
<b>FY20:</b>	<b>0</b>	<b>FY21:</b>	<b>0</b>	<b>FY22:</b>	<b>0</b>	<b>FY23:</b>	<b>0</b>	<b>FY24:</b>	<b>0</b>

<b>761:</b>	<b>Unavailable</b>	<b>762:</b>	<b>Unavailable</b>
<b>EDL:</b>	<b>Unavailable</b>	<b>RDL:</b>	<b>Unavailable</b>

## COMMENTS

**Interested vendors should submit a Source Approval Request (SAR)**





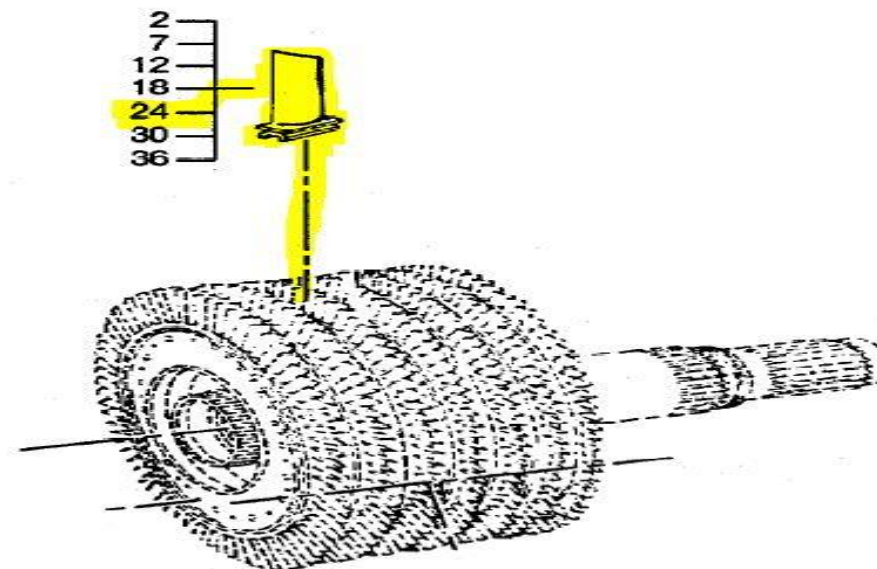
# Gas Turbine Compressor Blade

Alternate Sourcing – New Buy

Tinker AFB – 421 SCMS



AMC/AMSC:	3	C
RMC/RMSC:	N/A	N/A
Material:	Titanium Alloy	
Dimensions:	Not Available	
Criticality Code:	Y	
Drawings Available:	Yes	
Drawing #:	254514	
T.O. Available:	Yes	
T.O. #:	2J-TF33-24	
Budget Code:	9	
Drawing Cage Code:	77445	
Mesh File Available:	Unavailable	
Next Higher Asmby:	TF-33 Engine	



If you would like to participate in the Technical Discussion on

**April 27, 2020, at 10:30-11:30 (CST)**

provide the following, NLT

**April 23, 2020**

[429SCMS.SASPO.Workflow@us.af.mil](mailto:429SCMS.SASPO.Workflow@us.af.mil)

- Company, -Address, -Name(s), -Email(s), -Phone, and,
- Your questions for Engineering.



# Compressor Blade

Alternate Sourcing – New Buy  
Tinker AFB – 421 SCMS



MD:	B-52	
TMS:	TF33-P-103	
NOUN:	Compressor Blade	
NSN:	2840007678334	
P/N:	364911	
Buy Price:	\$450.56	
Date Last Procured:	10/1/2018	
Repair Cost:	\$0.00	
AAC:	D	
Surplus Available:	138	
QPA/APPL Rate:	75	0
Replacement Rate:	0	



Out Year Requirements: BUY									
FY20:	519	FY21:	519	FY22:	519	FY23:	519	FY24:	519

Out Year Requirements: REPAIR									
FY20:	0	FY21:	0	FY22:	0	FY23:	0	FY24:	0

761:	Available	762:	Unavailable
EDL:	Available	RDL:	Unavailable

## COMMENTS

**Interested vendors should submit a Source Approval Request (SAR) and obtain a licensing agreement with Pratt & Whitney**



# Compressor Blade

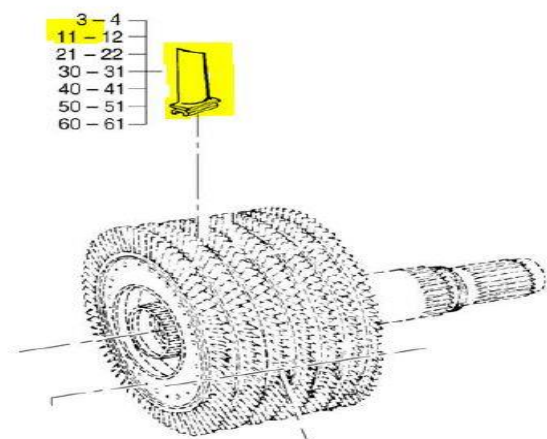
## Alternate Sourcing – New Buy

### Tinker AFB – 421 SCMS



AMC/AMSC:	3	R
RMC/RMSC:	N/A	N/A
Material:	Titanium Alloy, AMS4928	
Dimensions:	3.08" Min and 3.09" Max Length; 1.21" Min and 1.22" Max Width; .49" Min and .5" Max Material Thickness	
Criticality Code:	Y	
Drawings Available:	Yes	
Drawing #:	364911	
T.O. Available:	Yes	
T.O. #:	2J-TF33-4	
Budget Code:	9	
Drawing Cage Code:	77445	
Mesh File Available:	Unavailable	
Next Higher Asmbly:	2840001174888	

Health Chart Not Available



If you would like to participate in the Technical Discussion on

**April 27, 2020, at 10:30-11:30 (CST)**

provide the following, NLT

**April 23, 2020**

[429SCMS.SASPO.Workflow@us.af.mil](mailto:429SCMS.SASPO.Workflow@us.af.mil)

-Company, -Address, -Name(s), -Email(s), -Phone, and,  
-Your questions for Engineering.

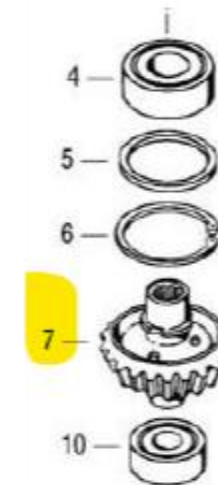


# Bevel Gearshaft

Alternate Sourcing – New Buy  
Tinker AFB – 421 SCMS



MD:	B-52	
TMS:	TF33-P-103	
NOUN:	Bevel Gearshaft	
NSN:	3040015031047	
P/N:	786203	
Buy Price:	\$5,952.44	
Date Last Procured:	2/1/2019	
Repair Cost:	\$0.00	
AAC:	D	
Surplus Available:	0	
QPA/APPL Rate:	1	0
Replacement Rate:	0	



Out Year Requirements: BUY									
FY20:	18	FY21:	18	FY22:	18	FY23:	18	FY24:	18

Out Year Requirements: REPAIR									
FY20:	0	FY21:	0	FY22:	0	FY23:	0	FY24:	0

761:	Available	762:	Unavailable
EDL:	Unavailable	RDL:	Unavailable

**COMMENTS**

**Interested vendors should submit a Source Approval Request (SAR) and obtain a licensing agreement with Pratt & Whitney**





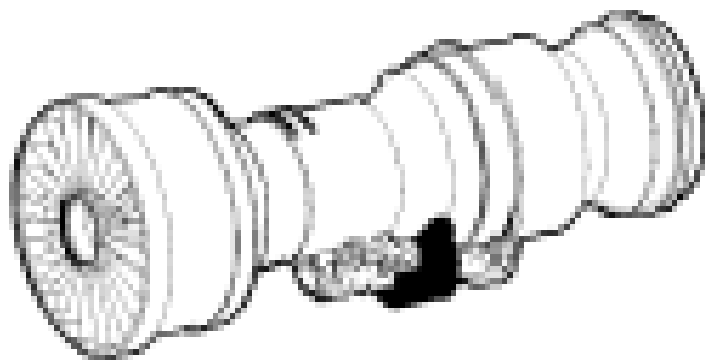
# Bevel Gearshaft

Alternate Sourcing – New Buy  
Tinker AFB – 421 SCMS



AMC/AMSC:	4	D
RMC/RMSC:	N/A	N/A
Material:	Not Available	
Dimensions:	Not Available	
Criticality Code:	X	
Drawings Available:	No	
Drawing #:	786203	
T.O. Available:	Yes	
T.O. #:	2J-TF33-4	
Budget Code:	9	
Drawing Cage Code:	77445	
Mesh File Available:	Unavailable	
Next Higher Asmbly:	2840006177569	

Health Chart Not Available



If you would like to participate in the Technical Discussion on

**April 27, 2020, at 10:30-11:30 (CST)**

provide the following, NLT

**April 23, 2020**

[429SCMS.SASPO.Workflow@us.af.mil](mailto:429SCMS.SASPO.Workflow@us.af.mil)

- Company, -Address, -Name(s), -Email(s), -Phone, and,
- Your questions for Engineering.



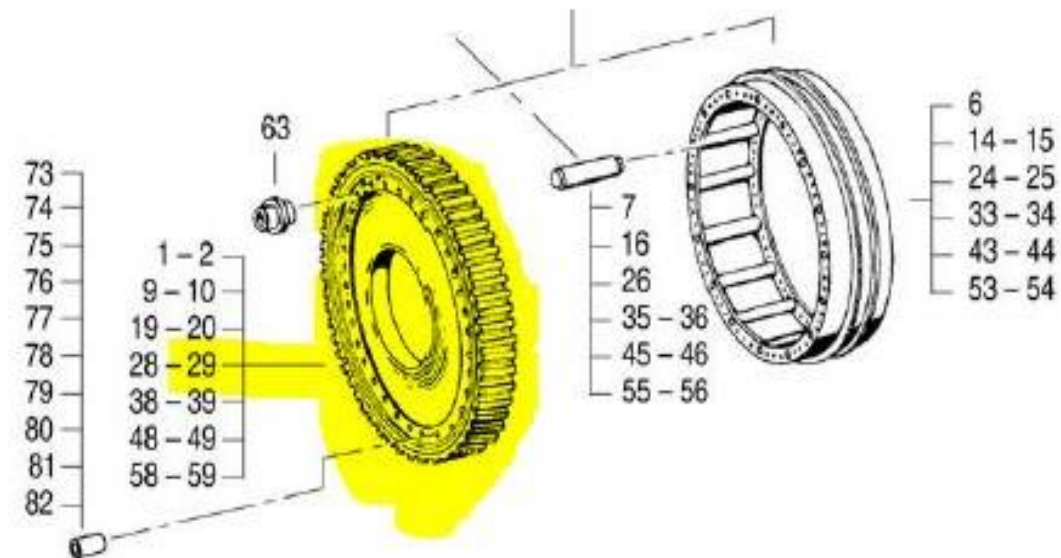
# 13<sup>th</sup> Stage Disk

## Alternate Sourcing – New Buy

### Tinker AFB – 421 SCMS



MD:	E-8, C-135	
TMS:	TF33-PW-100A	
NOUN:	13th Stage Disk	
NSN:	2840008056464	
P/N:	762413	
Buy Price:	\$32,490.65	
Date Last Procured:	7/19/2018	
Repair Cost:	\$2,467.00	
AAC:	M	
Surplus Available:	7	
QPA/APPL Rate:	1	100
Replacement Rate:	100	



Out Year Requirements: BUY									
FY20:	18	FY21:	20	FY22:	16	FY23:	21	FY24:	14

Out Year Requirements: REPAIR									
FY20:	0	FY21:	0	FY22:	0	FY23:	0	FY24:	0

761:	Available	762:	Unavailable
EDL:	Unavailable	RDL:	Unavailable

**COMMENTS**

**Interested vendors should submit a Source Approval Request (SAR) and obtain a licensing agreement with Pratt & Whitney**



# 13<sup>th</sup> Stage Disk

Alternate Sourcing – New Buy  
Tinker AFB – 421 SCMS



AMC/AMSC:	3	V
RMC/RMSC:	N/A	N/A
Material:	PWA 749 or PWA 768 Low Alloy Steel	
Dimensions:	18.01"L X 1.07"W X 18.01"H X 70 LBS	
Criticality Code:	F	
Drawings Available:	Yes	
Drawing #:	762413	
T.O. Available:	Yes	
T.O. #:	2J-TF33-4/-34	
Budget Code:	8	
Drawing Cage Code:	77445	
Mesh File Available:	Unavailable	
Next Higher Asmbly:	2840011605511 & 2840014741294	

Health Chart Not Available

If you would like to participate in the Technical Discussion on

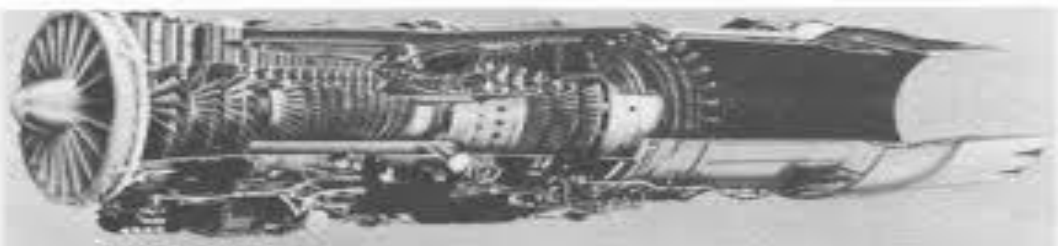
**April 27, 2020, at 10:30-11:30 (CST)**

provide the following, NLT

**April 23, 2020**

[429SCMS.SASPO.Workflow@us.af.mil](mailto:429SCMS.SASPO.Workflow@us.af.mil)

-Company, -Address, -Name(s), -Email(s), -Phone, and,  
-Your questions for Engineering.



9TH-STAGE COMPRESSOR DISK  
11TH-STAGE COMPRESSOR DISK  
13TH-STAGE COMPRESSOR DISK  
13TH-STAGE COMPRESSOR CONE SEAL

1ST-STAGE TURBINE DISK  
2ND-STAGE TURBINE DISK  
3RD-STAGE TURBINE DISK  
4TH-STAGE TURBINE DISK  
2ND-STAGE TURBINE SPACER



# #6 Turbine Hub Assembly

**Alternate Sourcing – New Buy**

Tinker AFB – 421 SCMS



MD:	B-52, E-8, C-135	
TMS:	TF33-PW-102C	
NOUN:	#6 Turbine Hub Assembly	
NSN:	2840011596846	
P/N:	624359	
Buy Price:	\$19,695.00	
Date Last Procured:	5/31/2019	
Repair Cost:	\$8,170.00	
AAC:	C	
Surplus Available:	2	
QPA/APPL Rate:	1	100
Replacement Rate:	100	



Out Year Requirements: BUY									
FY20:	82	FY21:	72	FY22:	75	FY23:	77	FY24:	76

Out Year Requirements: REPAIR									
FY20:	13	FY21:	6	FY22:	7	FY23:	7	FY24:	7

761:	Available	762:	Unavailable
EDL:	Unavailable	RDL:	Unavailable

## COMMENTS

**Interested vendors should submit a Source Approval Request (SAR) and obtain a licensing agreement with Pratt & Whitney**





# #6 Turbine Hub Assembly

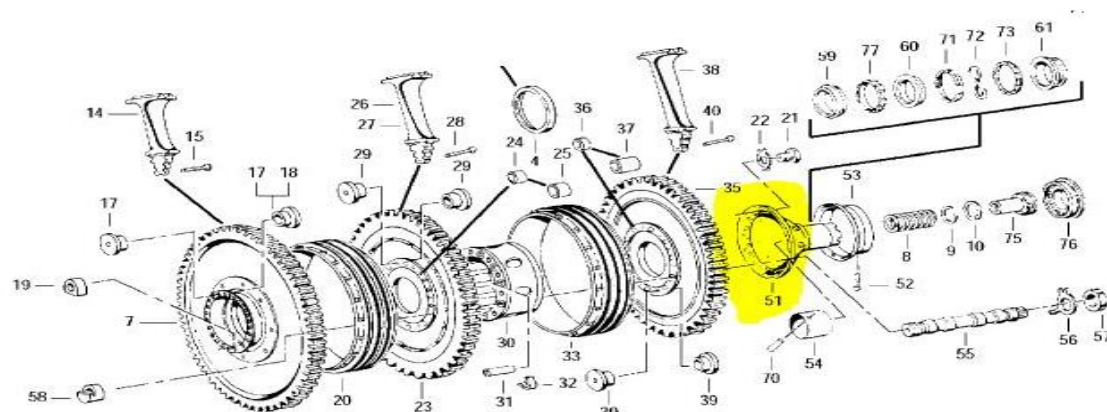
Alternate Sourcing – New Buy

Tinker AFB – 421 SCMS



AMC/AMSC:	3	P
RMC/RMSC:	N/A	N/A
Material:	Stainless Steel, AMS 5616 SST	
Dimensions:	8"L X 8"W X 6"H X 10 LBS	
Criticality Code:	F	
Drawings Available:	Yes	
Drawing #:	624359	
T.O. Available:	Yes	
T.O. #:	2J-TF33-4	
Budget Code:	8	
Drawing Cage Code:	77445	
Mesh File Available:	Unavailable	
Next Higher Asmby:	2840014679426	

Health Chart Not Available



If you would like to participate in the Technical Discussion on

**April 27, 2020, at 10:30-11:30 (CST)**

provide the following, NLT

**April 23, 2020**

[429SCMS.SASPO.Workflow@us.af.mil](mailto:429SCMS.SASPO.Workflow@us.af.mil)

- Company, -Address, -Name(s), -Email(s), -Phone, and,
- Your questions for Engineering.



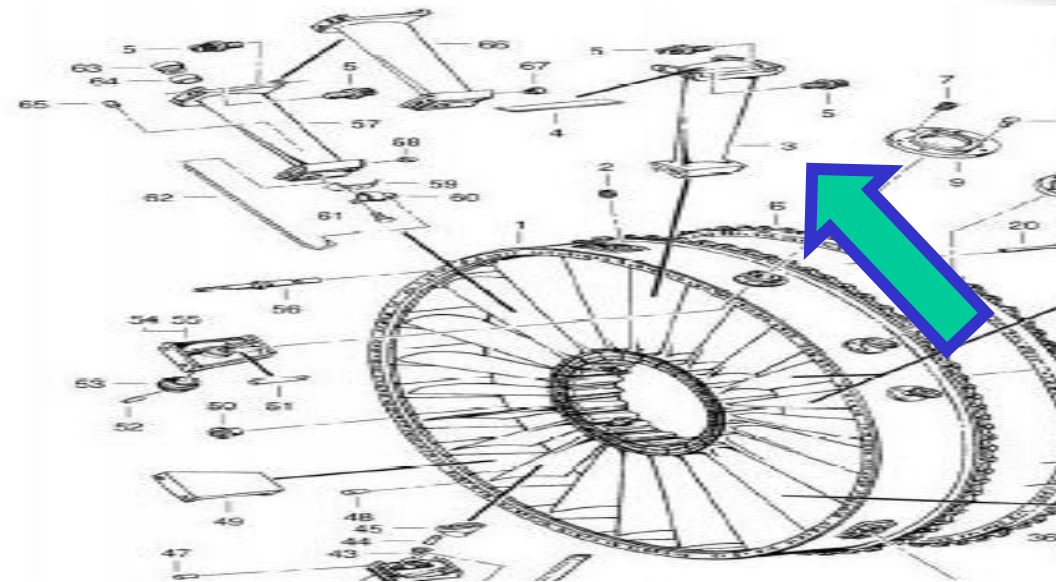
# Compressor Vane Assembly

Alternate Sourcing – New Buy

Tinker AFB – 421 SCMS



MD:	0	
TMS:	TF33-PW-100A	
NOUN:	Compressor Vane Assembly	
NSN:	2840009563406	
P/N:	478950	
Buy Price:	\$33,355.81	
Date Last Procured:	5/1/2019	
Repair Cost:	\$0.00	
AAC:	D	
Surplus Available:	1	
QPA/APPL Rate:	17	0
Replacement Rate:	0	



Out Year Requirements: BUY									
FY20:	138	FY21:	138	FY22:	138	FY23:	138	FY24:	138

Out Year Requirements: REPAIR									
FY20:	0	FY21:	0	FY22:	0	FY23:	0	FY24:	0

761:	Available	762:	Unavailable
EDL:	Unavailable	RDL:	Unavailable

**COMMENTS**

**Interested vendors should submit a Source Approval Request (SAR) and obtain a licensing agreement with Pratt & Whitney**



# Compressor Vane Assembly

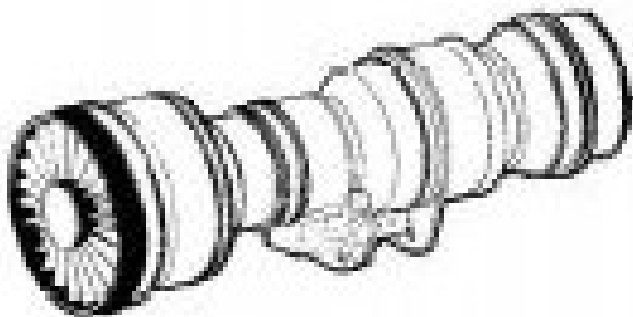
Alternate Sourcing – New Buy

Tinker AFB – 421 SCMS



AMC/AMSC:	3	P
RMC/RMSC:	N/A	N/A
Material:	Not Available	
Dimensions:	Not Available	
Criticality Code:	X	
Drawings Available:	No	
Drawing #:	478950	
T.O. Available:	Yes	
T.O. #:	2J-TF33-14/-44	
Budget Code:	9	
Drawing Cage Code:	77445	
Mesh File Available:	Unavailable	
Next Higher Asmby:	PN 729449	

Health Chart Not Available



If you would like to participate in the Technical Discussion on

**April 27, 2020, at 10:30-11:30 (CST)**

provide the following, NLT

**April 23, 2020**

[429SCMS.SASPO.Workflow@us.af.mil](mailto:429SCMS.SASPO.Workflow@us.af.mil)

- Company, -Address, -Name(s), -Email(s), -Phone, and,
- Your questions for Engineering.



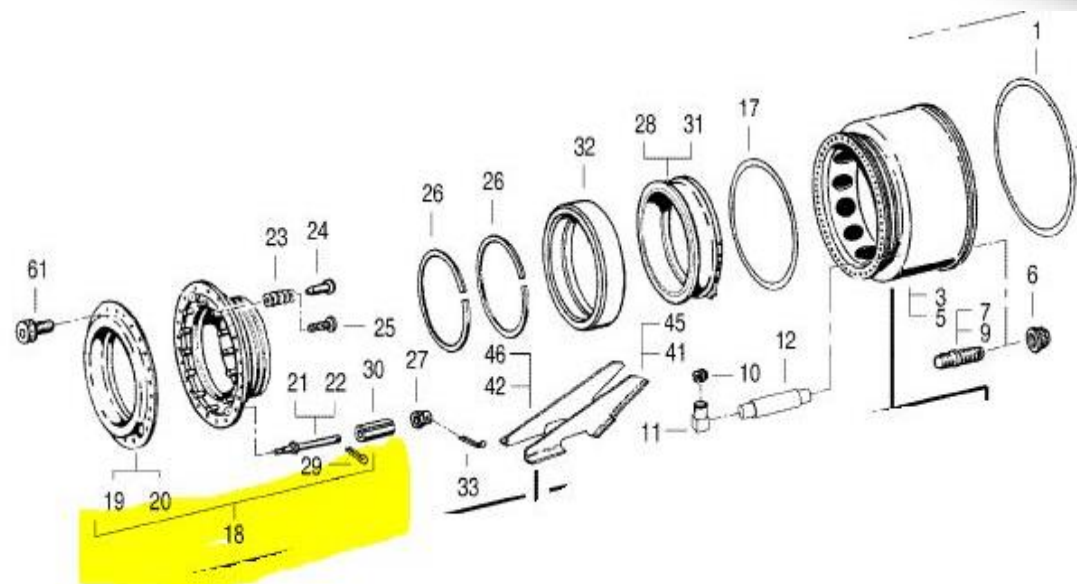
# #4 Bearing Seal Ring Holder

Alternate Sourcing – New Buy

Tinker AFB – 421 SCMS



MD:	C-135, B-52, E-3	
TMS:	TF33-PW-100A	
NOUN:	No 4 Bearing Seal Ring Holder	
NSN:	2840004962170	
P/N:	532593 (CAGE 52661)	
Buy Price:	\$3,199.51	
Date Last Procured:	2/1/2019	
Repair Cost:	\$0.00	
AAC:	D	
Surplus Available:	27	
QPA/APPL Rate:	1	0
Replacement Rate:	0	



Out Year Requirements: BUY									
FY20:	24	FY21:	24	FY22:	24	FY23:	24	FY24:	24

Out Year Requirements: REPAIR									
FY20:	0	FY21:	0	FY22:	0	FY23:	0	FY24:	0

761:	Available	762:	Unavailable
EDL:	Available	RDL:	Unavailable

**COMMENTS**

**Interested vendors should submit a Source Approval Request (SAR) and obtain a licensing agreement with Pratt & Whitney**





# #4 Bearing Seal Ring Holder

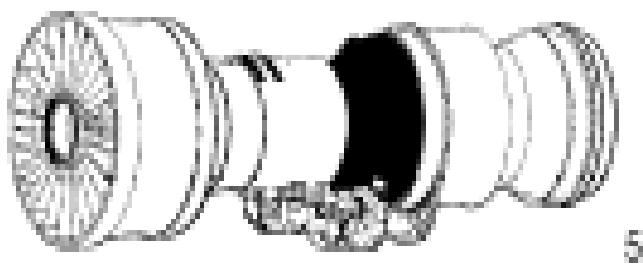
Alternate Sourcing – New Buy

Tinker AFB – 421 SCMS



AMC/AMSC:	3	P
RMC/RMSC:	N/A	N/A
Material:	Not Available	
Dimensions:	Not Available	
Criticality Code:	Y	
Drawings Available:	Yes	
Drawing #:	532593	
T.O. Available:	Yes	
T.O. #:	2J-TF33-4	
Budget Code:	9	
Drawing Cage Code:	77445	
Mesh File Available:	Unavailable	
Next Higher Asmbly:	PN 532599	

Health Chart Not Available



If you would like to participate in the Technical Discussion on

**April 27, 2020, at 10:30-11:30 (CST)**

provide the following, NLT

**April 23, 2020**

[429SCMS.SASPO.Workflow@us.af.mil](mailto:429SCMS.SASPO.Workflow@us.af.mil)

- Company, -Address, -Name(s), -Email(s), -Phone, and,
- Your questions for Engineering.



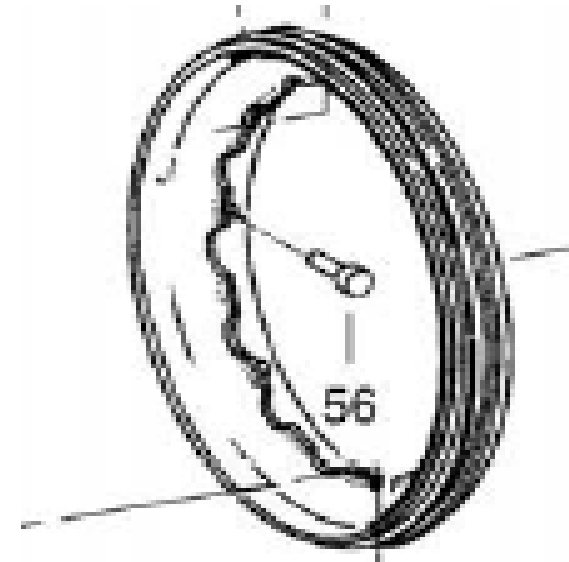
# Compressor Air Seal

Alternate Sourcing – New Buy

Tinker AFB – 421 SCMS



MD:	E-3	
TMS:	TF33-PW-100A	
NOUN:	Compressor Air Seal	
NSN:	2840012291009	
P/N:	794724	
Buy Price:	\$20,409.25	
Date Last Procured:	8/1/2018	
Repair Cost:	\$0.00	
AAC:	D	
Surplus Available:	0	
QPA/APPL Rate:	1	100
Replacement Rate:	0	



Out Year Requirements: BUY									
FY20:	39	FY21:	39	FY22:	39	FY23:	39	FY24:	39

Out Year Requirements: REPAIR									
FY20:	0	FY21:	0	FY22:	0	FY23:	0	FY24:	0

761:	Available	762:	Unavailable
EDL:	Available	RDL:	Unavailable

## COMMENTS

**Interested vendors should submit a Source Approval Request (SAR)**



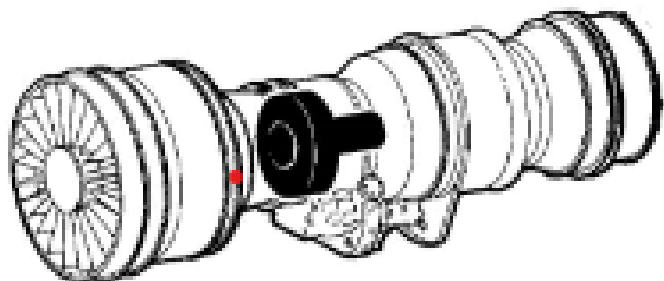
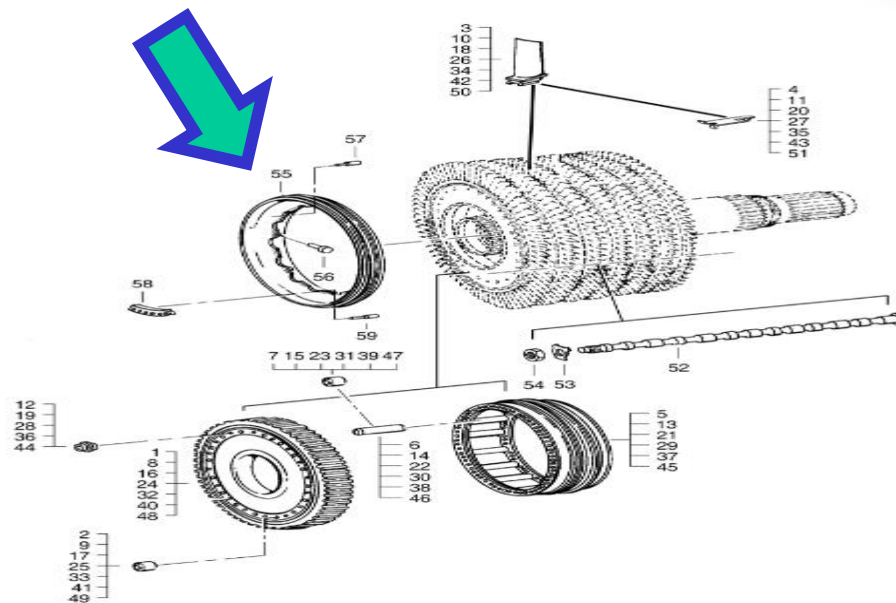
# Compressor Air Seal

Alternate Sourcing – New Buy

Tinker AFB – 421 SCMS



AMC/AMSC:	3	C
RMC/RMSC:	N/A	N/A
Material:	Nickel Alloy; Spec PWA 1022	
Dimensions:	Unknown	
Criticality Code:	Y	
Drawings Available:	Yes	
Drawing #:	794724	
T.O. Available:	Yes	
T.O. #:	2J-TF33-44	
Budget Code:	9	
Drawing Cage Code:	77445	
Mesh File Available:	Unavailable	
Next Higher Asmby:	TF33 Engine	



If you would like to participate in the Technical Discussion on

**April 27, 2020, at 10:30-11:30 (CST)**

provide the following, NLT

**April 23, 2020**

[429SCMS.SASPO.Workflow@us.af.mil](mailto:429SCMS.SASPO.Workflow@us.af.mil)

-Company, -Address, -Name(s), -Email(s), -Phone, and,  
-Your questions for Engineering.



# Fuel Drain Tube

## Alternate Sourcing – New Buy

### Tinker AFB – 421 SCMS



MD:	B-52	
TMS:	TF33-PW-100A	
NOUN:	Fuel Drain Tube	
NSN:	4710004150515	
P/N:	733086	
Buy Price:	\$1,075.68	
Date Last Procured:	1/0/1900	
Repair Cost:	\$0.00	
AAC:	D	
Surplus Available:	83	
QPA/APPL Rate:	1	0
Replacement Rate:	0	



Out Year Requirements: BUY									
FY20:	24	FY21:	24	FY22:	24	FY23:	24	FY24:	24

Out Year Requirements: REPAIR									
FY20:	0	FY21:	0	FY22:	0	FY23:	0	FY24:	0

761:	Available	762:	Unavailable
EDL:	Available	RDL:	Unavailable

**COMMENTS**

**Interested vendors should submit a Source Approval Request (SAR)**





# Fuel Drain Tube

## Alternate Sourcing – New Buy

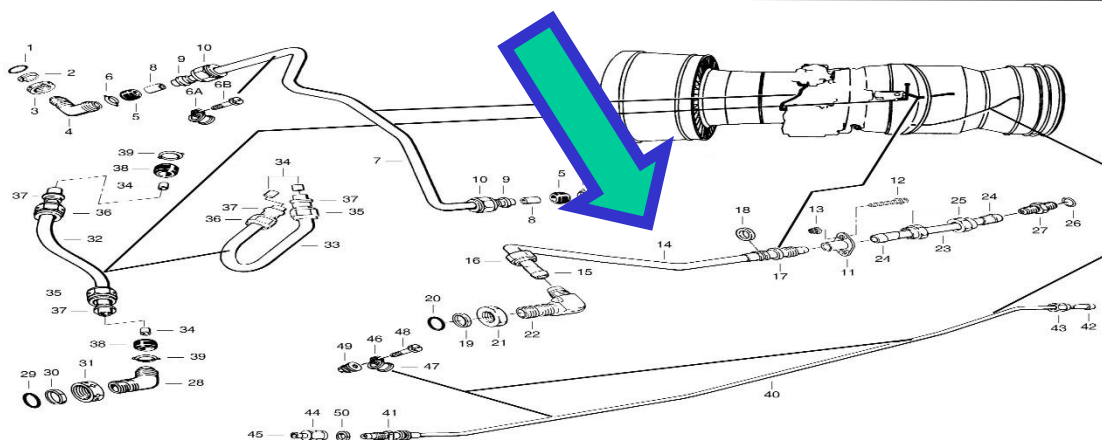
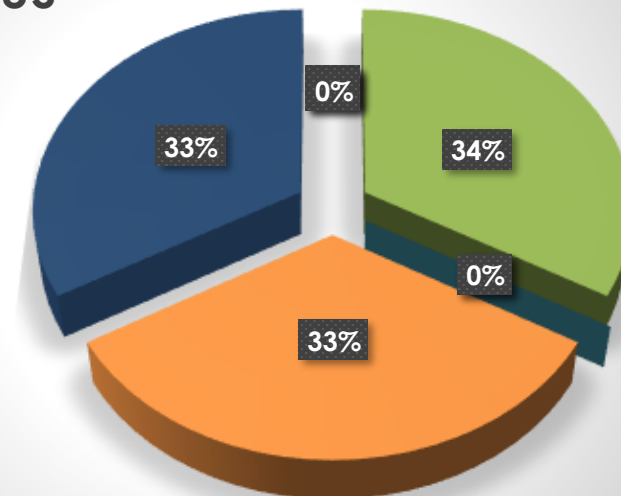
### Tinker AFB – 421 SCMS



AMC/AMSC:	1	C
RMC/RMSC:	N/A	N/A
Material:	AMS 5570 SST	
Dimensions:	0	
Criticality Code:	X	
Drawings Available:	Yes	
Drawing #:	733086	
T.O. Available:	Yes	
T.O. #:	2J-TF33-4	
Budget Code:	9	
Drawing Cage Code:	77445	
Mesh File Available:	Unavailable	
Next Higher Asmby:	TF33 Engine	

### HEALTH STATUS

- Obsolete
- Sole Source
- Two or More
- Unknown
- Proprietary
- Logistics
- NA
- Build To Print
- Comn Ind Item



If you would like to participate in the Technical Discussion on  
**April 27, 2020, at 10:30-11:30 (CST)**  
 provide the following, NLT  
**April 23, 2020**  
[429SCMS.SASPO.Workflow@us.af.mil](mailto:429SCMS.SASPO.Workflow@us.af.mil)  
 -Company, -Address, -Name(s), -Email(s), -Phone, and,  
 -Your questions for Engineering.



# No 4 Bearing Heat Shield

**Alternate Sourcing – New Buy**

**Tinker AFB – 421 SCMS**



MD:	B-52, C-135, E-3	
TMS:	TF33-PW-100A	
NOUN:	No 4 Bearing Heat Shield	
NSN:	2840008866773	
P/N:	457660	
Buy Price:	\$623.89	
Date Last Procured:	12/1/2006	
Repair Cost:	\$0.00	
AAC:	D	
Surplus Available:	17	
QPA/APPL Rate:	1	100
Replacement Rate:	0	



Out Year Requirements: BUY									
FY20:	48	FY21:	48	FY22:	48	FY23:	48	FY24:	48

Out Year Requirements: REPAIR									
FY20:	0	FY21:	0	FY22:	0	FY23:	0	FY24:	0

761:	Available	762:	Unavailable
EDL:	Unavailable	RDL:	Unavailable

## COMMENTS

**Interested vendors should submit a Source Approval Request (SAR) and obtain a licensing agreement with Pratt & Whitney**



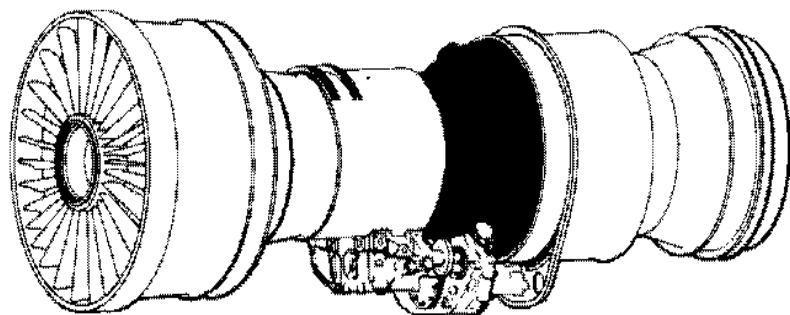
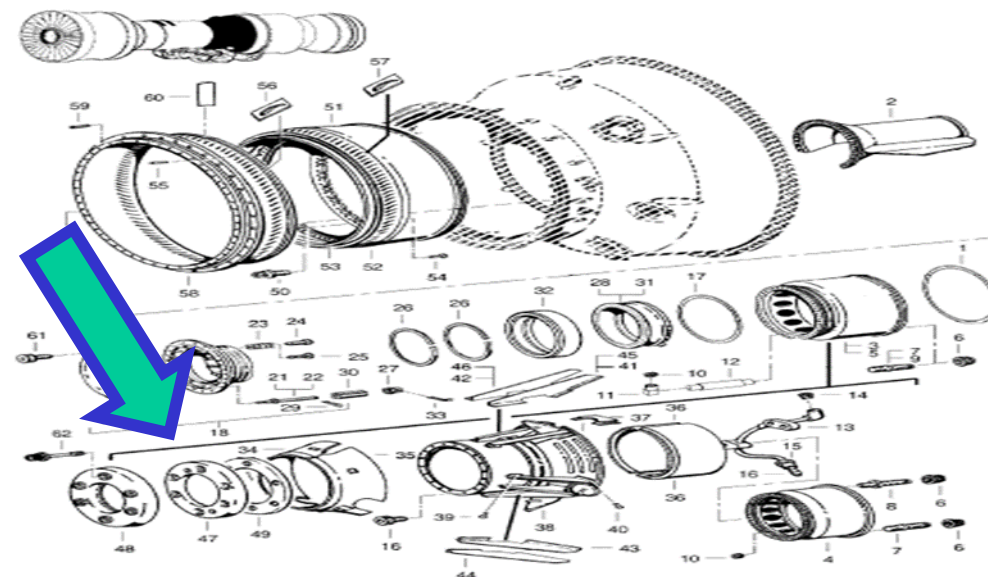
# No 4 Bearing Heat Shield

Alternate Sourcing – New Buy

Tinker AFB – 421 SCMS



AMC/AMSC:	2	P
RMC/RMSC:	N/A	N/A
Material:	Steel Cone	
Dimensions:	Unknown	
Criticality Code:	Y	
Drawings Available:	No	
Drawing #:	457660	
T.O. Available:	Yes	
T.O. #:	2J-TF33-4	
Budget Code:	9	
Drawing Cage Code:	77445	
Mesh File Available:	Unavailable	
Next Higher Asmby:	Compressor Rear Bearing Housing	



If you would like to participate in the Technical Discussion on  
**April 27, 2020, at 10:30-11:30 (CST)**  
 provide the following, NLT  
**April 23, 2020**  
[429SCMS.SASPO.Workflow@us.af.mil](mailto:429SCMS.SASPO.Workflow@us.af.mil)  
 -Company, -Address, -Name(s), -Email(s), -Phone, and,  
 -Your questions for Engineering.





# Drain Valve Assembly

**Alternate Sourcing – New Buy**

Tinker AFB – 421 SCMS



MD:	B-52, C-135, E-3, E-8	
TMS:	TF33-PW-100A	
NOUN:	Drain Valve Assembly	
NSN:	4820003267134	
P/N:	821230-01	
Buy Price:	\$14,513.39	
Date Last Procured:	7/1/2018	
Repair Cost:	\$0.00	
AAC:	D	
Surplus Available:	0	
QPA/APPL Rate:	1	100
Replacement Rate:	0	



Out Year Requirements: BUY									
FY20:	58	FY21:	58	FY22:	58	FY23:	58	FY24:	58

Out Year Requirements: REPAIR									
FY20:	0	FY21:	0	FY22:	0	FY23:	0	FY24:	0

761:	Available	762:	Unavailable
EDL:	Unavailable	RDL:	Unavailable

## COMMENTS

**Interested vendors should submit a Source Approval Request (SAR) and obtain a licensing agreement with Pratt & Whitney**





# Drain Valve Assembly

## Alternate Sourcing – New Buy

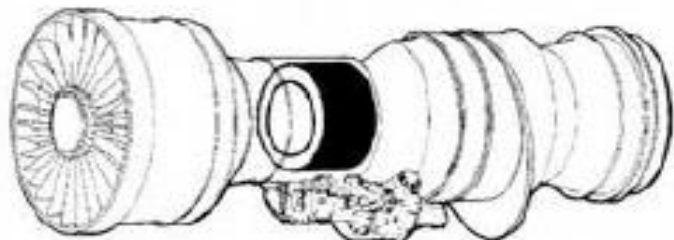
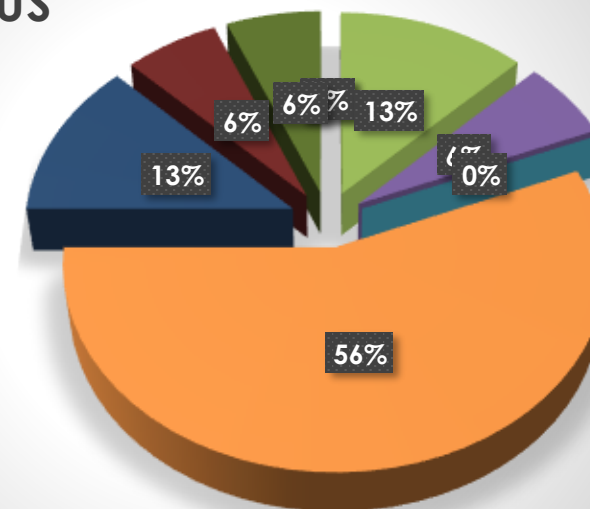
### Tinker AFB – 421 SCMS



AMC/AMSC:	3	P
RMC/RMSC:	N/A	N/A
Material:	Steel Flow Control Device	
Dimensions:	Unknown	
Criticality Code:	F	
Drawings Available:	No	
Drawing #:	821230	
T.O. Available:	Yes	
T.O. #:	2J-TF33-4/34/44	
Budget Code:	9	
Drawing Cage Code:	77445	
Mesh File Available:	Unavailable	
Next Higher Asmbly:	Oil Tank	

## HEALTH STATUS

- Obsolete
- Sole Source
- Two or More
- Unknown
- Proprietary
- Logistics
- NA
- Build To Print
- Comn Ind Item



If you would like to participate in the Technical Discussion on

**April 27, 2020, at 10:30-11:30 (CST)**

provide the following, NLT

**April 23, 2020**

[429SCMS.SASPO.Workflow@us.af.mil](mailto:429SCMS.SASPO.Workflow@us.af.mil)

- Company, -Address, -Name(s), -Email(s), -Phone, and,
- Your questions for Engineering.



# Turbine Nozzle Support

**Alternate Sourcing – New Buy/Repair**

**Tinker AFB – 421 SCMS**



MD:	E-3	
TMS:	TF33-PW-100A	
NOUN:	Turbine Nozzle Support	
NSN:	2840010364842	
P/N:	767921	
Buy Price:	\$38,717.08	
Date Last Procured:	5/15/2017	
Repair Cost:	\$5,868.08	
AAC:	C	
Surplus Available:	2	
QPA/APPL Rate:	1	100
Replacement Rate:	75	



Out Year Requirements: BUY									
FY20:	0	FY21:	3	FY22:	11	FY23:	0	FY24:	0

Out Year Requirements: REPAIR									
FY20:	24	FY21:	9	FY22:	27	FY23:	19	FY24:	9

761:	Available	762:	Available
EDL:	Available	RDL:	Available

## COMMENTS

**Interested vendors should submit a Source Approval Request (SAR) and obtain a licensing agreement with Pratt & Whitney**



# Turbine Nozzle Support

## Alternate Sourcing – New Buy/Repair

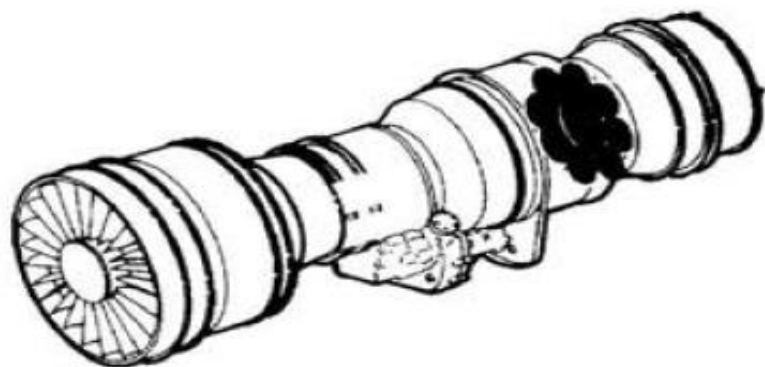
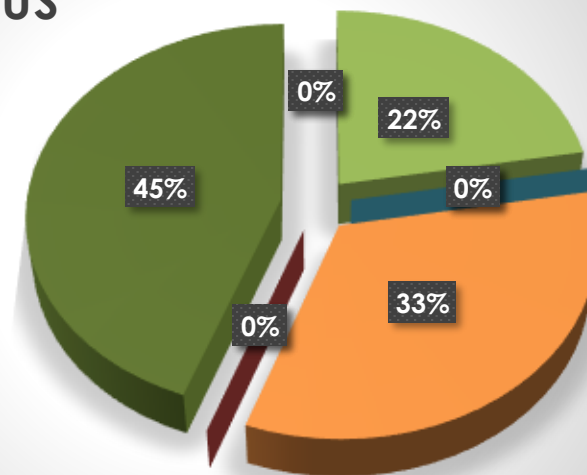
### Tinker AFB – 421 SCMS



AMC/AMSC:	3	P
RMC/RMSC:	1	C
Material:	Inconel	
Dimensions:	24"L X 24"W X 6.2500"H X 40 LBS	
Criticality Code:	F	
Drawings Available:	Yes	
Drawing #:	399080	
T.O. Available:	Yes	
T.O. #:	2J-TF33-44	
Budget Code:	8	
Drawing Cage Code:	77445	
Mesh File Available:	Unavailable	
Next Higher Asmbly:	TF33-100A	

### HEALTH STATUS

- Obsolete
- Sole Source
- Two or More
- Unknown
- Proprietary
- Logistics
- NA
- Build To Print
- Comn Ind Item



If you would like to participate in the Technical Discussion on

**April 27, 2020, at 10:30-11:30 (CST)**

provide the following, NLT

**April 23, 2020**

[429SCMS.SASPO.Workflow@us.af.mil](mailto:429SCMS.SASPO.Workflow@us.af.mil)

-Company, -Address, -Name(s), -Email(s), -Phone, and,  
-Your questions for Engineering.



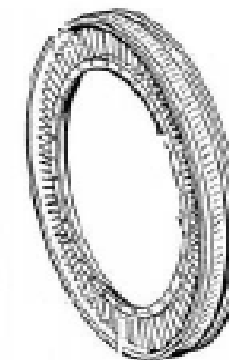
# 14<sup>th</sup> Stage Stator Assembly

**Alternate Sourcing – New Buy/Repair**

Tinker AFB – 421 SCMS



MD:	E-3	
TMS:	TF33-PW-100A	
NOUN:	14th Stage Stator Assembly	
NSN:	2840011603217	
P/N:	765574 (Cage 77445)	
Buy Price:	\$51,132.96	
Date Last Procured:	9/22/2019	
Repair Cost:	\$9,461.98	
AAC:	M	
Surplus Available:	7	
QPA/APPL Rate:	1	100
Replacement Rate:	0	



Out Year Requirements: BUY									
FY20:	150	FY21:	40	FY22:	39	FY23:	30	FY24:	40

Out Year Requirements: REPAIR									
FY20:	75	FY21:	58	FY22:	47	FY23:	46	FY24:	41

761:	Available	762:	Available
EDL:	Available	RDL:	Available

## COMMENTS

**Interested vendors need to submit a Source Approval Request (SAR) and obtain a licensing agreement with Pratt & Whitney**





# 14<sup>th</sup> Stage Stator Assembly

## Alternate Sourcing – New Buy/Repair

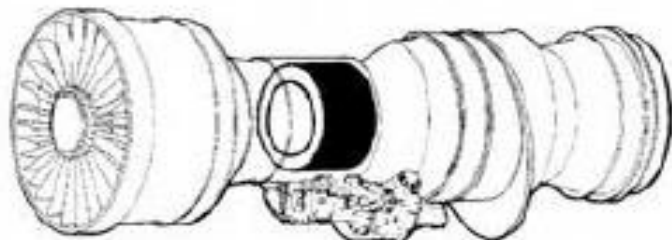
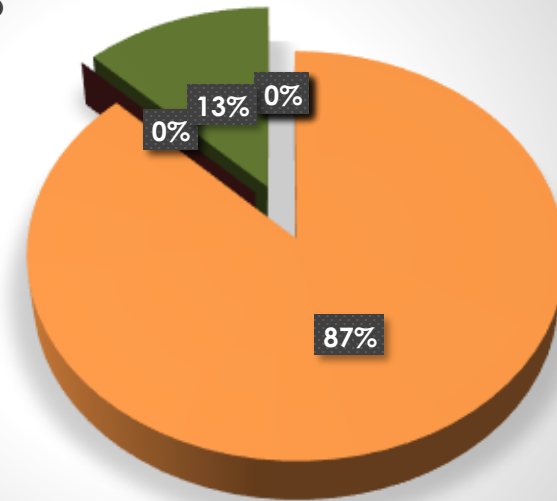
### Tinker AFB – 421 SCMS



AMC/AMSC:	3	R
RMC/RMSC:	5	C
Material:	Steel Corrosion Resisting Overall	
Dimensions:	L: 27.73" x W: 27.785" x H: 2.28" - Weight: 10lbs	
Criticality Code:	F	
Drawings Available:	Yes	
Drawing #:	765574	
T.O. Available:	Yes	
T.O. #:	2J-TF33-4, -34	
Budget Code:	8	
Drawing Cage Code:	77445	
Mesh File Available:	0	
Next Higher Asmbly:	TF33/005/009/102C/103	

### HEALTH STATUS

- Obsolete
- Sole Source
- Two or More
- Unknown
- Proprietary
- Logistics
- NA
- Build To Print
- Comn Ind Item



If you would like to participate in the Technical Discussion on

**April 27, 2020, at 10:30-11:30 (CST)**

provide the following, NLT

**April 23, 2020**

[429SCMS.SASPO.Workflow@us.af.mil](mailto:429SCMS.SASPO.Workflow@us.af.mil)

- Company, -Address, -Name(s), -Email(s), -Phone, and,
- Your questions for Engineering.

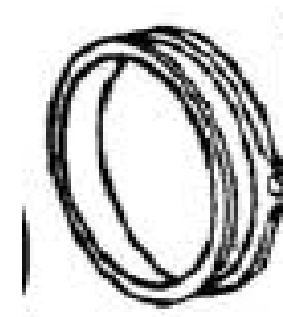


# #2 Carbon Seal

**Alternate Sourcing – New Buy/Repair**  
Tinker AFB – 421 SCMS



MD:	B52/E3/E8	
TMS:	TF33-PW-100A	
NOUN:	#2 Carbon Seal	
NSN:	2840002263901	
P/N:	565721 (Cage 77445)	
Buy Price:	\$1,867.03	
Date Last Procured:	5/20/2010	
Repair Cost:	\$828.00	
AAC:	C	
Surplus Available:	19	
QPA/APPL Rate:	1	100
Replacement Rate:	100	



Out Year Requirements: BUY									
FY20:	8	FY21:	4	FY22:	2	FY23:	3	FY24:	2

Out Year Requirements: REPAIR									
FY20:	44	FY21:	22	FY22:	21	FY23:	23	FY24:	23

761:	Available	762:	Available
EDL:	Available	RDL:	Available

**COMMENTS**

**Interested vendors need to submit a Source Approval Request (SAR)**



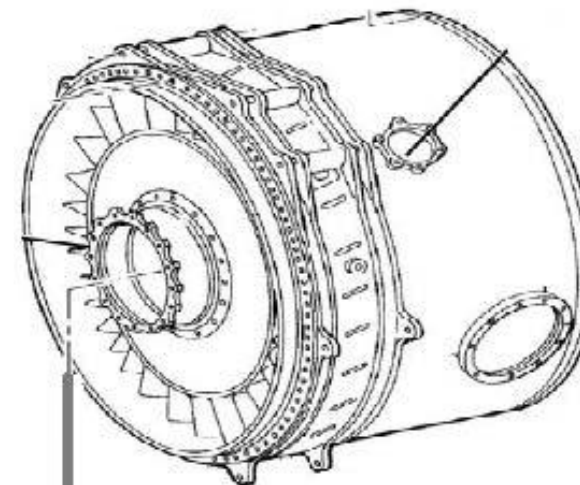
# #2 Carbon Seal

Alternate Sourcing – New Buy/Repair

Tinker AFB – 421 SCMS



AMC/AMSC:	1	C
RMC/RMSC:	1	C
Material:	Steel Alloy	
Dimensions:	L: 6.5" x W: 6.5" x H: 1" - Weight: 3lbs	
Criticality Code:	F	
Drawings Available:	Yes	
Drawing #:	565721	
T.O. Available:	Yes	
T.O. #:	2J-TF33-44	
Budget Code:	8	
Drawing Cage Code:	77445	
Mesh File Available:	0	
Next Higher Asmby:	Carbon seal assy/TF33/100A	



If you would like to participate in the Technical Discussion on

**April 27, 2020, at 10:30-11:30 (CST)**

provide the following, NLT

**April 23, 2020**

[429SCMS.SASPO.Workflow@us.af.mil](mailto:429SCMS.SASPO.Workflow@us.af.mil)

-Company, -Address, -Name(s), -Email(s), -Phone, and,  
-Your questions for Engineering.



# #1 Carbon Seal

**Alternate Sourcing – New Buy/Repair**  
Tinker AFB – 421 SCMS



MD:	B52/E3/E8	
TMS:	TF33-PW-100A	
NOUN:	#1 Carbon Seal	
NSN:	2840007557525	
P/N:	510393 (Cage 77445)	
Buy Price:	\$1,760.20	
Date Last Procured:	1/15/2014	
Repair Cost:	\$865.26	
AAC:	C	
Surplus Available:	8	
QPA/APPL Rate:	1	100
Replacement Rate:	100	



Out Year Requirements: BUY									
FY20:	28	FY21:	10	FY22:	11	FY23:	1	FY24:	11

Out Year Requirements: REPAIR									
FY20:	156	FY21:	76	FY22:	83	FY23:	71	FY24:	78

761:	Available	762:	Available
EDL:	Unavailable	RDL:	Available

**COMMENTS**

**Interested vendors need to submit a Source Approval Request (SAR) and obtain a licensing agreement with Pratt & Whitney**





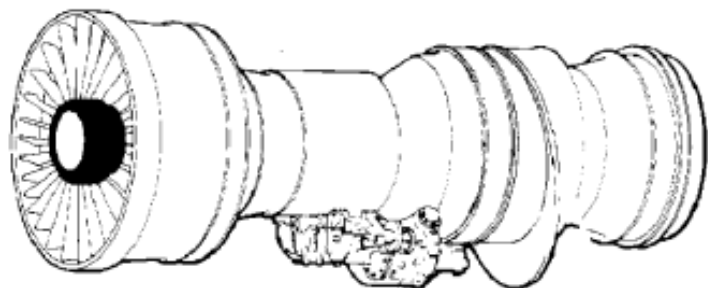
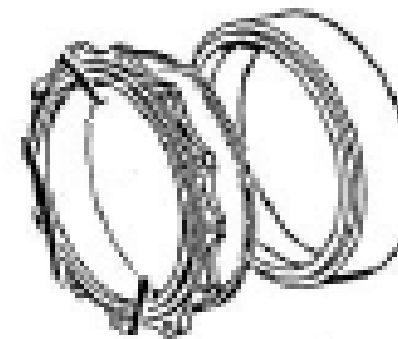
# #1 Carbon Seal

**Alternate Sourcing – New Buy/Repair**

**Tinker AFB – 421 SCMS**



AMC/AMSC:	3	P
RMC/RMSC:	1	C
Material:	Metal Alloy	
Dimensions:	L: 8" x W: 8" x H: 1.5" - Weight: 3lbs	
Criticality Code:	F	
Drawings Available:	Yes	
Drawing #:	510393	
T.O. Available:	Yes	
T.O. #:	2J-TF33-4, -34	
Budget Code:	8	
Drawing Cage Code:	77445	
Mesh File Available:	0	
Next Higher Asmbly:	TF33/005/009/102C/103	



If you would like to participate in the Technical Discussion on

**April 27, 2020, at 10:30-11:30 (CST)**

provide the following, NLT

**April 23, 2020**

[429SCMS.SASPO.Workflow@us.af.mil](mailto:429SCMS.SASPO.Workflow@us.af.mil)

- Company, -Address, -Name(s), -Email(s), -Phone, and,
- Your questions for Engineering.



# Turbine Nozzle Vane

## Alternate Sourcing – New Buy/Repair

### Tinker AFB – 421 SCMS



<b>MD:</b>	E3/E8/B52	
<b>TMS:</b>	TF33-PW-100A	
<b>NOUN:</b>	Turbine Nozzle Vane	
<b>NSN:</b>	2840009621264	
<b>P/N:</b>	799554CL7 (Cage 77445)	
<b>Buy Price:</b>	\$363.91	
<b>Date Last Procured:</b>	5/4/1985	
<b>Repair Cost:</b>	\$54.56	
<b>AAC:</b>	C	
<b>Surplus Available:</b>	0	
<b>QPA/APPL Rate:</b>	89	31
<b>Replacement Rate:</b>	100	



Out Year Requirements: BUY									
<b>FY20:</b>	<b>3054</b>	<b>FY21:</b>	<b>922</b>	<b>FY22:</b>	<b>912</b>	<b>FY23:</b>	<b>774</b>	<b>FY24:</b>	<b>927</b>

Out Year Requirements: REPAIR									
<b>FY20:</b>	<b>3853</b>	<b>FY21:</b>	<b>1658</b>	<b>FY22:</b>	<b>1731</b>	<b>FY23:</b>	<b>1583</b>	<b>FY24:</b>	<b>1668</b>

<b>761:</b>	Available	<b>762:</b>	Available
<b>EDL:</b>	Unavailable	<b>RDL:</b>	Available

**COMMENTS**

**Interested vendors need to submit a Source Approval Request (SAR) and obtain a licensing agreement with Pratt & Whitney**



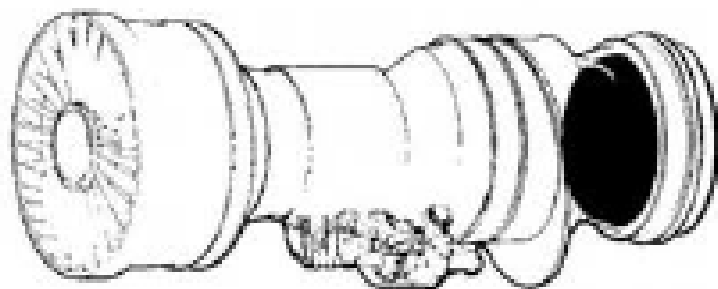
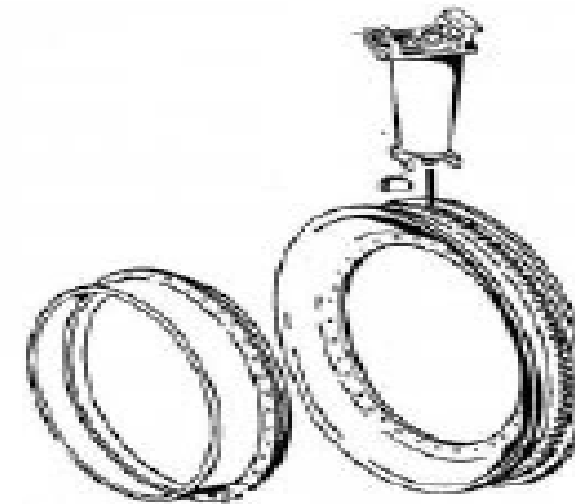
# Turbine Nozzle Vane

## Alternate Sourcing – New Buy/Repair

Tinker AFB – 421 SCMS



AMC/AMSC:	4	P
RMC/RMSC:	1	C
Material:	Nickle Alloy	
Dimensions:	L: 3" x W: 3.5" x H: 3" - Weight: .7000 (oz)	
Criticality Code:	Y	
Drawings Available:	Yes	
Drawing #:	799554	
T.O. Available:	Yes	
T.O. #:	2J-TF33-4	
Budget Code:	8	
Drawing Cage Code:	77445	
Mesh File Available:	0	
Next Higher Asmbly:	TF33/005/009/100A/102C/103	



If you would like to participate in the Technical Discussion on

**April 27, 2020, at 10:30-11:30 (CST)**

provide the following, NLT

**April 23, 2020**

[429SCMS.SASPO.Workflow@us.af.mil](mailto:429SCMS.SASPO.Workflow@us.af.mil)

-Company, -Address, -Name(s), -Email(s), -Phone, and,  
-Your questions for Engineering.



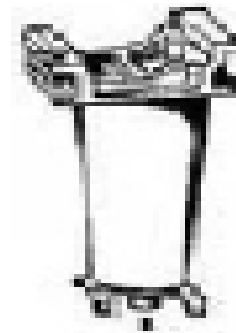
# 4<sup>th</sup> Stage Turbine Nozzle

**Alternate Sourcing – New Buy/Repair**

Tinker AFB – 421 SCMS



MD:	B52/E8/E3	
TMS:	TF33-PW-100A	
NOUN:	4th Stage Turbine Nozzle Vane, Class 5	
NSN:	2840009621256	
P/N:	799554CL5 (Cage 77445)	
Buy Price:	\$363.91	
Date Last Procured:	5/4/1985	
Repair Cost:	\$51.43	
AAC:	C	
Surplus Available:	0	
QPA/APPL Rate:	89	24
Replacement Rate:	100	



Out Year Requirements: BUY									
FY20:	1864	FY21:	896	FY22:	884	FY23:	750	FY24:	902

Out Year Requirements: REPAIR									
FY20:	3646	FY21:	1612	FY22:	1687	FY23:	1537	FY24:	1622

761:	Available	762:	Available
EDL:	Unavailable	RDL:	Available

## COMMENTS

**Interested vendors need to submit a Source Approval Request (SAR) and obtain a licensing agreement with Pratt & Whitney**





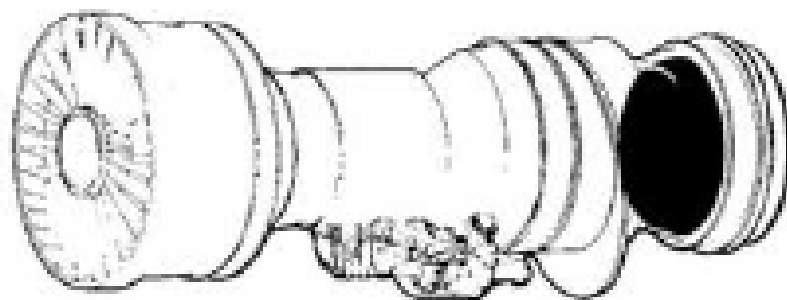
# 4<sup>th</sup> Stage Turbine Nozzle

Alternate Sourcing – New Buy/Repair

Tinker AFB – 421 SCMS



AMC/AMSC:	3	P
RMC/RMSC:	1	C
Material:	Nickel Alloy	
Dimensions:	L: 3" x W: 3.5" x H: 3" - Weight: 0.7000 (oz)	
Criticality Code:	Y	
Drawings Available:	Yes	
Drawing #:	799554	
T.O. Available:	Yes	
T.O. #:	2J-TF33-4, -34, -44	
Budget Code:	8	
Drawing Cage Code:	77445	
Mesh File Available:	0	
Next Higher Asmbly:	TF33/005/009/100A/102C/103	



If you would like to participate in the Technical Discussion on

**April 27, 2020, at 10:30-11:30 (CST)**

provide the following, NLT

**April 23, 2020**

[429SCMS.SASPO.Workflow@us.af.mil](mailto:429SCMS.SASPO.Workflow@us.af.mil)

-Company, -Address, -Name(s), -Email(s), -Phone, and,  
-Your questions for Engineering.



# Turbine Nozzle Support Assembly

**Alternate Sourcing – New Buy/Repair**

Tinker AFB – 421 SCMS



MD:	E8/B52	
TMS:	TF33-PW-100A	
NOUN:	Turbine Nozzle Support Assembly	
NSN:	2840010383217	
P/N:	767922	
Buy Price:	\$51,562.55	
Date Last Procured:	12/4/2018	
Repair Cost:	\$4,017.46	
AAC:	C	
Surplus Available:	6	
QPA/APPL Rate:	1	100
Replacement Rate:	93	



Out Year Requirements: BUY									
FY20:	0	FY21:	16	FY22:	20	FY23:	6	FY24:	2

Out Year Requirements: REPAIR									
FY20:	134	FY21:	92	FY22:	99	FY23:	62	FY24:	60

761:	Available	762:	Available
EDL:	Available	RDL:	Available

## COMMENTS

**Interested vendors need to submit a Source Approval Request (SAR) and obtain a licensing agreement with Pratt & Whitney**



# Turbine Nozzle Support Assembly

## Alternate Sourcing – New Buy/Repair

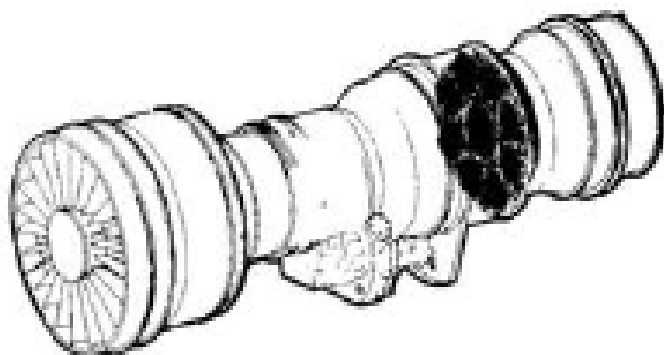
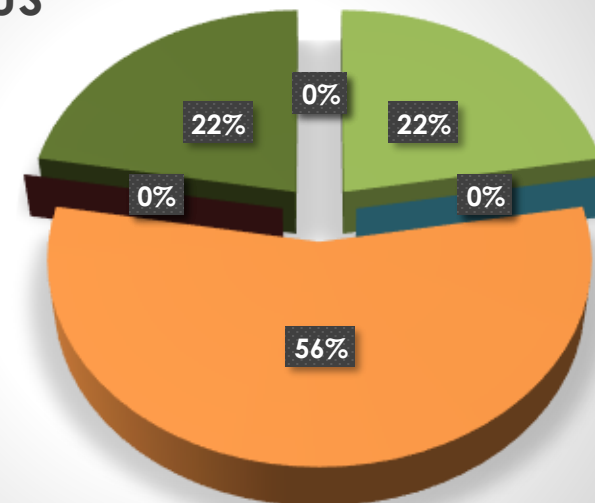
### Tinker AFB – 421 SCMS



AMC/AMSC:	3	P
RMC/RMSC:	1	C
Material:	Inconel	
Dimensions:	L: 23.935" x W: 23.923" x H: 6.41" - Weight: 40lbs	
Criticality Code:	F	
Drawings Available:	Yes	
Drawing #:	767922	
T.O. Available:	Yes	
T.O. #:	2J-TF33-4,-34	
Budget Code:	8	
Drawing Cage Code:	77445	
Mesh File Available:	Unavailable	
Next Higher Asmbly:	TF33/005/009/102C/103	

## HEALTH STATUS

- Obsolete
- Sole Source
- Two or More
- Unknown
- Proprietary
- Logistics
- NA
- Build To Print
- Comn Ind Item



If you would like to participate in the Technical Discussion on

**April 27, 2020, at 10:30-11:30 (CST)**

provide the following, NLT

**April 23, 2020**

[429SCMS.SASPO.Workflow@us.af.mil](mailto:429SCMS.SASPO.Workflow@us.af.mil)

-Company, -Address, -Name(s), -Email(s), -Phone, and,  
-Your questions for Engineering.



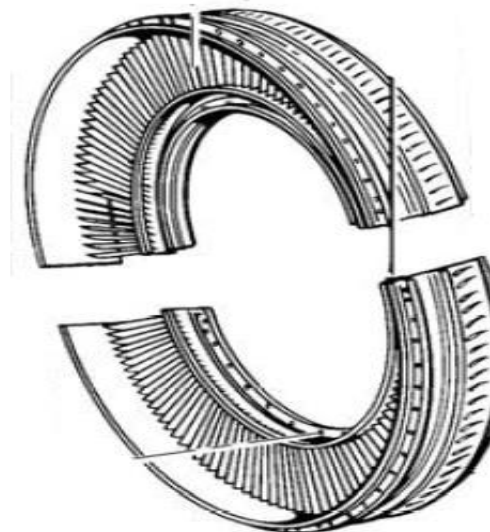
# 6<sup>th</sup> Stage Stator Assembly

**Alternate Sourcing – New Buy/Repair**

Tinker AFB – 421 SCMS



MD:	E-3	
TMS:	TF33-PW-100A	
NOUN:	6th Stage Stator Assembly	
NSN:	2840010042179	
P/N:	748686	
Buy Price:	\$37,170.45	
Date Last Procured:	9/30/2014	
Repair Cost:	\$4,065.99	
AAC:	C	
Surplus Available:	0	
QPA/APPL Rate:	2	100
Replacement Rate:	54	



Out Year Requirements: BUY									
FY20:	0	FY21:	0	FY22:	0	FY23:	0	FY24:	0

Out Year Requirements: REPAIR									
FY20:	173	FY21:	129	FY22:	134	FY23:	106	FY24:	121

761:	Available	762:	Available
EDL:	Available	RDL:	Available

## COMMENTS

**Interested vendors need to submit a Source Approval Requests (SARs) and obtain a licensing agreement with Pratt & Whitney**



# 6<sup>th</sup> Stage Stator Assembly

## Alternate Sourcing – New Buy/Repair

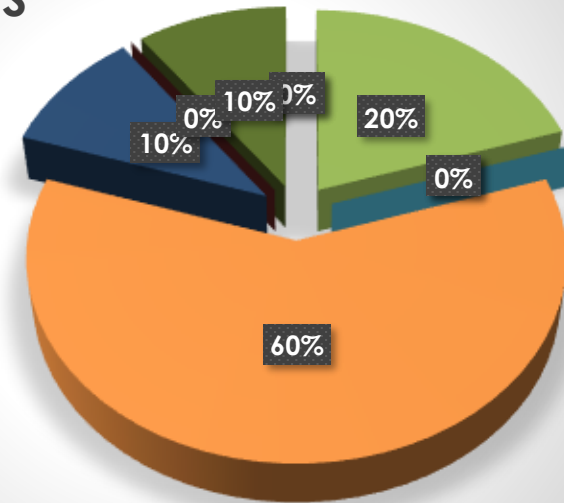
### Tinker AFB – 421 SCMS



AMC/AMSC:	3	P
RMC/RMSC:	5	C
Material:	AMS 4125	
Dimensions:	30.25 (L), 3.3130 (W), 3.3130 (H), (IN), 10 (LB)	
Criticality Code:	Y	
Drawings Available:	Yes	
Drawing #:	748686	
T.O. Available:	Yes	
T.O. #:	2J-TF33-4,-44	
Budget Code:	8	
Drawing Cage Code:	77445	
Mesh File Available:	Unavailable	
Next Higher Asmbly:	TF-33 (005, 009, 100A, 102C, 103)	

### HEALTH STATUS

- Obsolete
- Sole Source
- Two or More
- Unknown
- Proprietary
- Logistics
- NA
- Build To Print
- Comn Ind Item



If you would like to participate in the Technical Discussion on

**April 27, 2020, at 10:30-11:30 (CST)**

provide the following, NLT

**April 23, 2020**

[429SCMS.SASPO.Workflow@us.af.mil](mailto:429SCMS.SASPO.Workflow@us.af.mil)

- Company, -Address, -Name(s), -Email(s), -Phone, and,
- Your questions for Engineering.





# 11 Stage Stator Assembly

**Alternate Sourcing – New Buy/Repair**

Tinker AFB – 421 SCMS



MD:	E-3	
TMS:	TF33-PW-100A	
NOUN:	11th Stage Stator Assy	
NSN:	2840010041799	
P/N:	765181 (Cage 77445)	
Buy Price:	\$10,399.64	
Date Last Procured:	7/15/2009	
Repair Cost:	\$6,882.03	
AAC:	M	
Surplus Available:	0	
QPA/APPL Rate:	1	100
Replacement Rate:	100	



Out Year Requirements: BUY									
FY20:	121	FY21:	18	FY22:	19	FY23:	22	FY24:	18

Out Year Requirements: REPAIR									
FY20:	82	FY21:	64	FY22:	51	FY23:	53	FY24:	48

761:	Available	762:	Available
EDL:	Available	RDL:	Available

## COMMENTS

**Interested vendors need to submit a Source Approval Requests (SARs) and obtain a licensing agreement with Pratt & Whitney**



# 11 Stage Stator Assembly

## Alternate Sourcing – New Buy/Repair

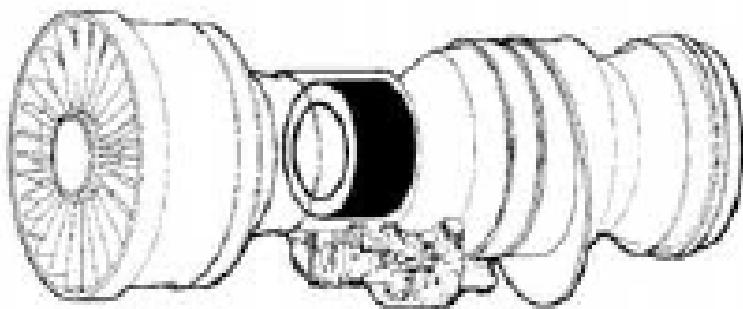
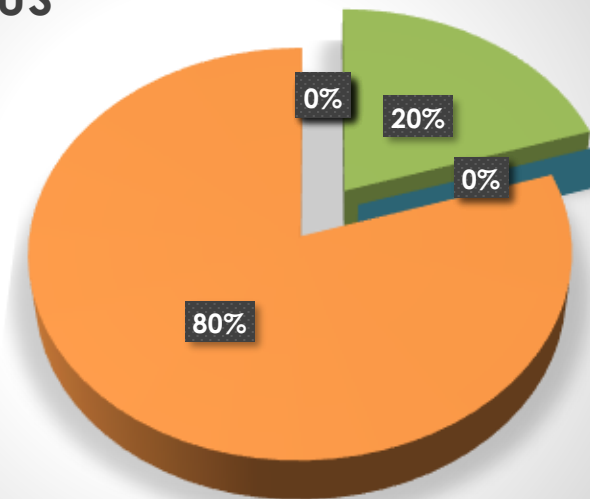
### Tinker AFB – 421 SCMS



AMC/AMSC:	3	P
RMC/RMSC:	5	C
Material:	Corrosion Resistant Steel Overall	
Dimensions:	L: 2.488" x W: 27.74" x H: 2.50" - Weight: 10lbs	
Criticality Code:	Y	
Drawings Available:	Yes	
Drawing #:	765181	
T.O. Available:	Yes	
T.O. #:	2J-TF33-4	
Budget Code:	8	
Drawing Cage Code:	77445	
Mesh File Available:	Unavailable	
Next Higher Asmbly:	TF33/005/009/103/Multiple	

### HEALTH STATUS

- Obsolete
- Sole Source
- Two or More
- Unknown
- Proprietary
- Logistics
- NA
- Build To Print
- Comn Ind Item



If you would like to participate in the Technical Discussion on

**April 27, 2020, at 10:30-11:30 (CST)**

provide the following, NLT

**April 23, 2020**

[429SCMS.SASPO.Workflow@us.af.mil](mailto:429SCMS.SASPO.Workflow@us.af.mil)

- Company, -Address, -Name(s), -Email(s), -Phone, and,
- Your questions for Engineering.

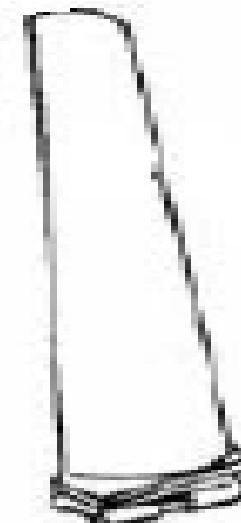


# 1<sup>st</sup> Stage Blade Set

**Alternate Sourcing – New Buy/Repair**  
Tinker AFB – 421 SCMS



<b>MD:</b>	E-3	
<b>TMS:</b>	TF33-PW-100A	
<b>NOUN:</b>	1st Stage Blade Set	
<b>NSN:</b>	2840001573633	
<b>P/N:</b>	694221 (Cage 77445)	
<b>Buy Price:</b>	\$3,250.00	
<b>Date Last Procured:</b>	3/5/2019	
<b>Repair Cost:</b>	\$444.58	
<b>AAC:</b>	C	
<b>Surplus Available:</b>	1	
<b>QPA/APPL Rate:</b>	17	100
<b>Replacement Rate:</b>	100	



Out Year Requirements: BUY									
<b>FY20:</b>	<b>680</b>	<b>FY21:</b>	<b>646</b>	<b>FY22:</b>	<b>663</b>	<b>FY23:</b>	<b>476</b>	<b>FY24:</b>	<b>510</b>

Out Year Requirements: REPAIR									
<b>FY20:</b>	<b>870</b>	<b>FY21:</b>	<b>637</b>	<b>FY22:</b>	<b>365</b>	<b>FY23:</b>	<b>429</b>	<b>FY24:</b>	<b>427</b>

<b>761:</b>	Available	<b>762:</b>	Available
<b>EDL:</b>	Available	<b>RDL:</b>	Available

## COMMENTS

**Interested vendors need to submit a Source Approval Requests (SARs) and obtain a licensing agreement with Pratt & Whitney**



# 1<sup>st</sup> Stage Blade Set

## Alternate Sourcing – New Buy/Repair

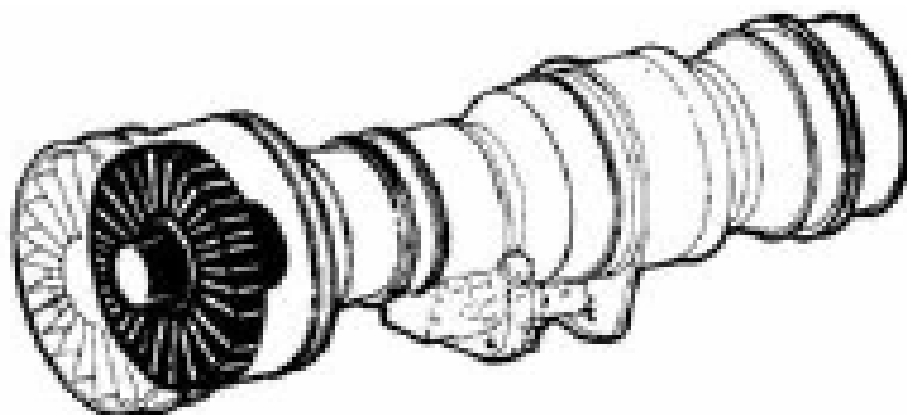
### Tinker AFB – 421 SCMS



AMC/AMSC:	1	P
RMC/RMSC:	1	P
Material:	AMS 4928 Titanium Alloy	
Dimensions:	L: 17.0730" x W: 3.9200" x H: .9850" - Weight: 5lbs	
Criticality Code:	F	
Drawings Available:	Yes	
Drawing #:	694221	
T.O. Available:	Yes	
T.O. #:	2J-TF33-44	
Budget Code:	8	
Drawing Cage Code:	77445	
Mesh File Available:	Unavailable	
Next Higher Asmby:	TF33-PW-100	

### Health Analysis

Obsolete	0
Sole Source	0
Two or More	0
Unknown	0
Proprietary	0
Logistics	0
NA	1
Build To Print	0
Comn Ind Item	0



If you would like to participate in the Technical Discussion on

**April 27, 2020, at 10:30-11:30 (CST)**

provide the following, NLT

**April 23, 2020**

[429SCMS.SASPO.Workflow@us.af.mil](mailto:429SCMS.SASPO.Workflow@us.af.mil)

-Company, -Address, -Name(s), -Email(s), -Phone, and,  
-Your questions for Engineering.



# 11 Stage Stator Assembly

**Alternate Sourcing – New Buy/Repair**

Tinker AFB – 421 SCMS



MD:	B52/O/WC-135	
TMS:	TF33-PW-100A	
NOUN:	12th Stage Stator Assembly	
NSN:	2840010041800	
P/N:	765182 (77445)	
Buy Price:	\$63,067.00	
Date Last Procured:	5/29/2018	
Repair Cost:	\$11,225.00	
AAC:	M	
Surplus Available:	0	
QPA/APPL Rate:	1	100
Replacement Rate:	0	



Out Year Requirements: BUY									
FY20:	140	FY21:	24	FY22:	24	FY23:	27	FY24:	24

Out Year Requirements: REPAIR									
FY20:	60	FY21:	58	FY22:	46	FY23:	47	FY24:	41

761:	Available	762:	Available
EDL:	Available	RDL:	Available

## COMMENTS

**Interested vendors need to submit a Source Approval Requests (SARs) and obtain a licensing agreement with Pratt & Whitney**





# 11 Stage Stator Assembly

Alternate Sourcing – New Buy/Repair

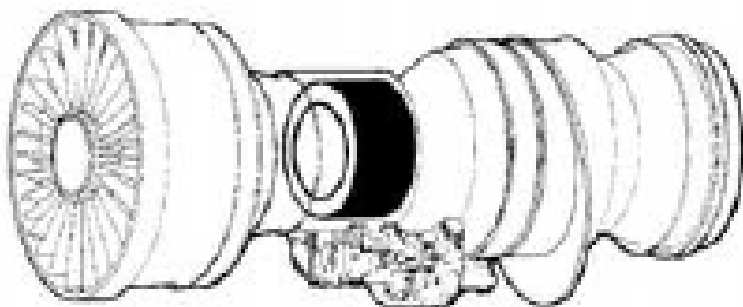
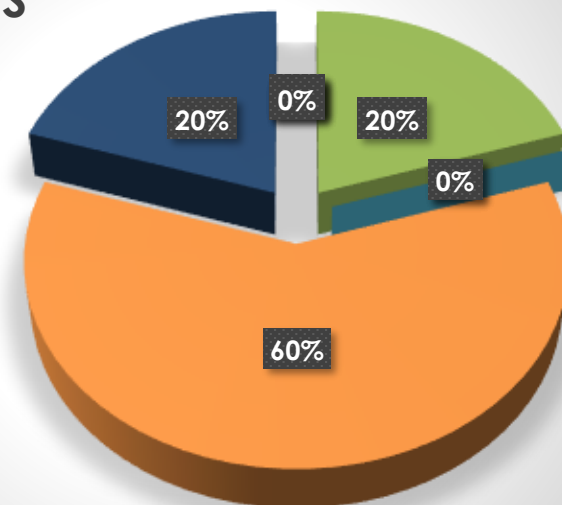
Tinker AFB – 421 SCMS



AMC/AMSC:	3	P
RMC/RMSC:	5	C
Material:	AMS 5613 and 5504 Stainless Steel	
Dimensions:	L: 32" x W: 4" x H: 32" - Weight: 22lbs	
Criticality Code:	Y	
Drawings Available:	Yes	
Drawing #:	765182	
T.O. Available:	Yes	
T.O. #:	2J-TF33-4	
Budget Code:	8	
Drawing Cage Code:	77445	
Mesh File Available:	Unavailable	
Next Higher Asmbly:	TF33/005/009/103	

## HEALTH STATUS

- Obsolete
- Sole Source
- Two or More
- Unknown
- Proprietary
- Logistics
- NA
- Build To Print
- Comn Ind Item



If you would like to participate in the Technical Discussion on

**April 27, 2020, at 10:30-11:30 (CST)**

provide the following, NLT

**April 23, 2020**

[429SCMS.SASPO.Workflow@us.af.mil](mailto:429SCMS.SASPO.Workflow@us.af.mil)

- Company, -Address, -Name(s), -Email(s), -Phone, and,
- Your questions for Engineering.



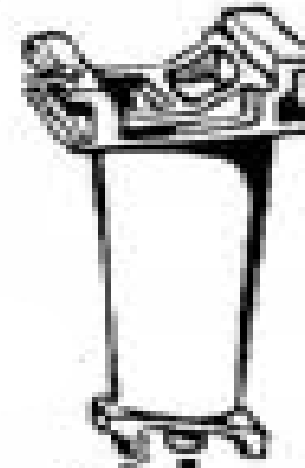
# 4<sup>th</sup> Stage Turbine Nozzle Vane

**Alternate Sourcing – New Buy/Repair**

Tinker AFB – 421 SCMS



MD:	E3/E9/B52	
TMS:	TF33-PW-P7/7A	
NOUN:	4th Stage Turbine Nozzle Vane	
NSN:	2840009621263	
P/N:	799554CL6 ( Cage 77445)	
Buy Price:	\$363.91	
Date Last Procured:	5/4/1985	
Repair Cost:	\$54.56	
AAC:	C	
Surplus Available:	28	
QPA/APPL Rate:	89	26
Replacement Rate:	100	



Out Year Requirements: BUY									
FY20:	2220	FY21:	807	FY22:	795	FY23:	676	FY24:	813

Out Year Requirements: REPAIR									
FY20:	3349	FY21:	1449	FY22:	1507	FY23:	1387	FY24:	1460

761:	Available	762:	Available
EDL:	Unavailable	RDL:	Available

## COMMENTS

**Interested vendors need to submit a Source Approval Requests (SARs) and obtain a licensing agreement with Pratt & Whitney**



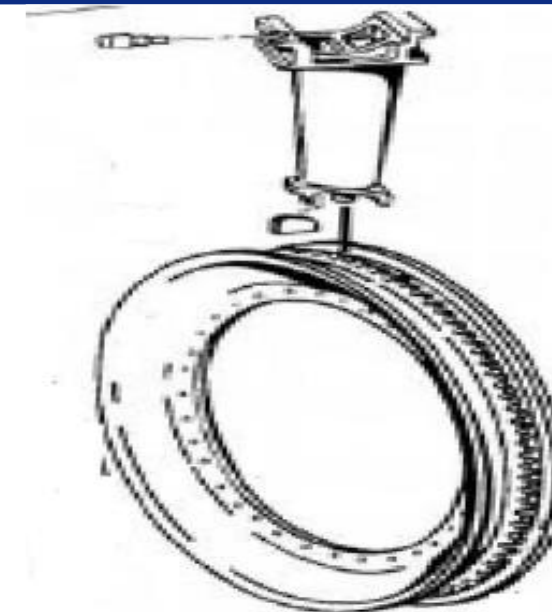
# 4<sup>th</sup> Stage Turbine Nozzle Vane

Alternate Sourcing – New Buy/Repair

Tinker AFB – 421 SCMS



AMC/AMSC:	3	P
RMC/RMSC:	1	C
Material:	Nickel Alloy - AMS5388	
Dimensions:	L: 3" x W: 3.5" x H: 3" - Weight: 0.7000 (oz)	
Criticality Code:	Y	
Drawings Available:	Yes	
Drawing #:	799554	
T.O. Available:	Yes	
T.O. #:	2J-TF33-4, -34, -44	
Budget Code:	8	
Drawing Cage Code:	77445	
Mesh File Available:	Unavailable	
Next Higher Asmby:	TF33/005/009/100A/102C/103	



If you would like to participate in the Technical Discussion on

**April 27, 2020, at 10:30-11:30 (CST)**

provide the following, NLT

**April 23, 2020**

[429SCMS.SASPO.Workflow@us.af.mil](mailto:429SCMS.SASPO.Workflow@us.af.mil)

-Company, -Address, -Name(s), -Email(s), -Phone, and,  
-Your questions for Engineering.



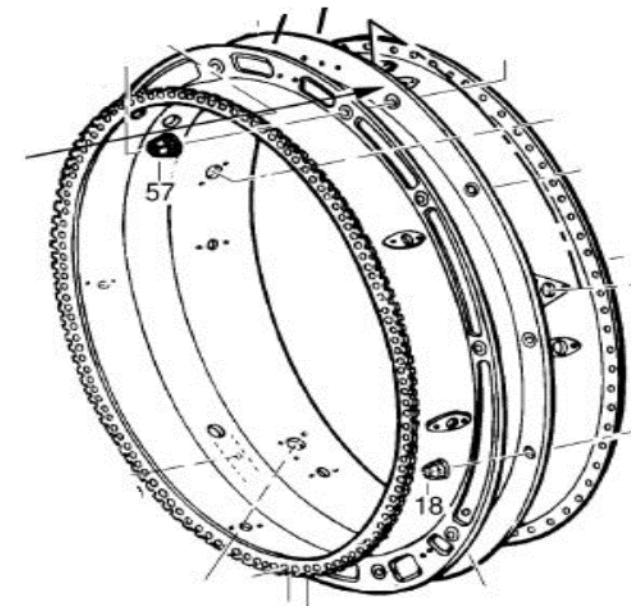
# 4<sup>th</sup> Stage Turbine Nozzle Vane

**Alternate Sourcing – New Buy/Repair**

Tinker AFB – 421 SCMS



MD:	E-3	
TMS:	TF33-PW-100A	
NOUN:	Turbine Exhaust Case Assembly	
NSN:	2840009673951	
P/N:	802404	
Buy Price:	\$80,413.38	
Date Last Procured:	12/8/2014	
Repair Cost:	\$9,200.00	
AAC:	C	
Surplus Available:	0	
QPA/APPL Rate:	1	100
Replacement Rate:	53	



Out Year Requirements: BUY									
FY20:	0	FY21:	0	FY22:	5	FY23:	0	FY24:	0

Out Year Requirements: REPAIR									
FY20:	40	FY21:	5	FY22:	7	FY23:	6	FY24:	7

761:	Available	762:	Available
EDL:	Unavailable	RDL:	Available

## COMMENTS

**Interested vendors need to submit a Source Approval Requests (SARs) and obtain a licensing agreement with Pratt & Whitney**





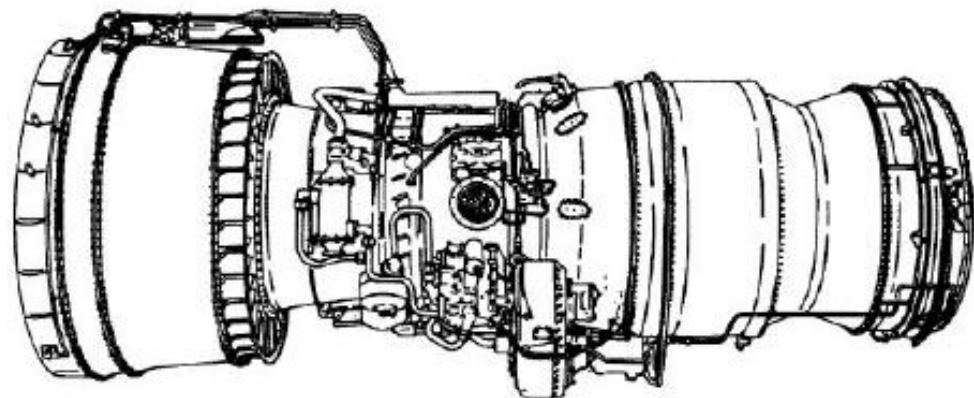
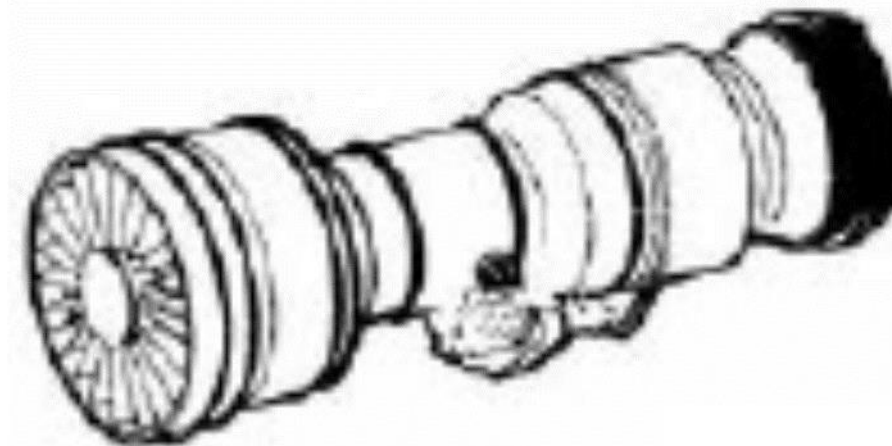
# 4<sup>th</sup> Stage Turbine Nozzle Vane

**Alternate Sourcing – New Buy/Repair**

**Tinker AFB – 421 SCMS**



AMC/AMSC:	3	P
RMC/RMSC:	1	C
Material:	AMS5616 Stainless Steel	
Dimensions:	L: 38.4" x W: 38.4" x H: 11.35" - Wt: 30lbs	
Criticality Code:	Y	
Drawings Available:	No	
Drawing #:	802404	
T.O. Available:	Yes	
T.O. #:	2J-TF33-44	
Budget Code:	8	
Drawing Cage Code:	77445	
Mesh File Available:	Unavailable	
Next Higher Asmbly:	TF33-100A	



If you would like to participate in the Technical Discussion on

**April 27, 2020, at 10:30-11:30 (CST)**

provide the following, NLT

**April 23, 2020**

[429SCMS.SASPO.Workflow@us.af.mil](mailto:429SCMS.SASPO.Workflow@us.af.mil)

- Company, -Address, -Name(s), -Email(s), -Phone, and,
- Your questions for Engineering.





# 7<sup>th</sup> Stage Stator Assembly

**Alternate Sourcing – New Buy/Repair**

Tinker AFB – 421 SCMS



MD:	B52/E3/E8/O/WC-135	
TMS:	TF33-P-100A;#TF33-PW-P7/7A	
NOUN:	7th Stage Stator Assembly	
NSN:	2840010041797	
P/N:	749777 (Cage 77445)	
Buy Price:	\$31,427.03	
Date Last Procured:	9/27/2013	
Repair Cost:	\$4,382.61	
AAC:	C	
Surplus Available:	1	
QPA/APPL Rate:	2	100
Replacement Rate:	62	



Out Year Requirements: BUY									
FY20:	77	FY21:	97	FY22:	88	FY23:	50	FY24:	66

Out Year Requirements: REPAIR									
FY20:	276	FY21:	134	FY22:	97	FY23:	69	FY24:	73

761:	Available	762:	Available
EDL:	Available	RDL:	Available

## COMMENTS

**Interested vendors need to submit a Source Approval Requests (SARs) and obtain a licensing agreement with Pratt & Whitney**



# 7<sup>th</sup> Stage Stator Assembly

## Alternate Sourcing – New Buy/Repair

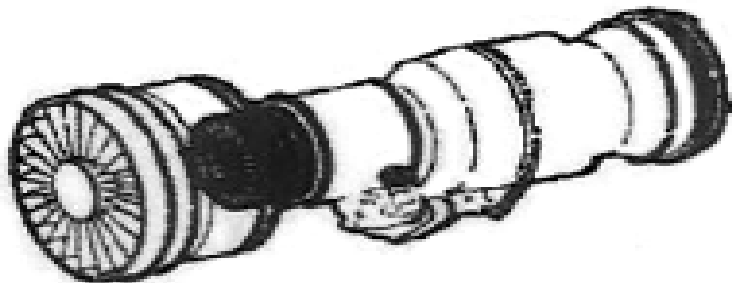
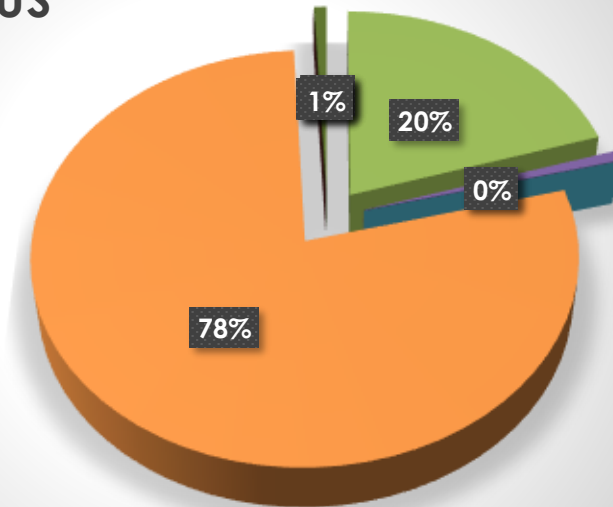
### Tinker AFB – 421 SCMS



AMC/AMSC:	3	P
RMC/RMSC:	5	C
Material:	AMS 5504 & AMS 5613 corrosion and heat resistant steel	
Dimensions:	L: 29.669" x W: 3.088" x H: 29.669" - Weight: 30lbs	
Criticality Code:	Y	
Drawings Available:	Yes	
Drawing #:	749777	
T.O. Available:	Yes	
T.O. #:	2J-TF33-4, -44	
Budget Code:	8	
Drawing Cage Code:	77445	
Mesh File Available:	Unavailable	
Next Higher Asmby:	TF33/005/009/100A/102C/103	

### HEALTH STATUS

- Obsolete
- Sole Source
- Two or More
- Unknown
- Proprietary
- Logistics
- NA
- Build To Print
- Comn Ind Item



If you would like to participate in the Technical Discussion on

**April 27, 2020, at 10:30-11:30 (CST)**

provide the following, NLT

**April 23, 2020**

[429SCMS.SASPO.Workflow@us.af.mil](mailto:429SCMS.SASPO.Workflow@us.af.mil)

-Company, -Address, -Name(s), -Email(s), -Phone, and,  
-Your questions for Engineering.



# Gas Turbine Metallic Seal

**Alternate Sourcing – New Buy**

Tinker AFB – 421 SCMS



<b>MD:</b>	E-3, C-135, E-8, B-52	
<b>TMS:</b>	TF33-PW-100A	
<b>NOUN:</b>	Gas Turbine Metallic Seal	
<b>NSN:</b>	2840005681213	
<b>P/N:</b>	256085	
<b>Buy Price:</b>	\$654.17	
<b>Date Last Procured:</b>	4/1/2019	
<b>Repair Cost:</b>	\$0.00	
<b>AAC:</b>	D	
<b>Surplus Available:</b>	17	
<b>QPA/APPL Rate:</b>	1	100
<b>Replacement Rate:</b>	100	

Out Year Requirements: BUY									
<b>FY20:</b>	30	<b>FY21:</b>	30	<b>FY22:</b>	30	<b>FY23:</b>	30	<b>FY24:</b>	30

Out Year Requirements: REPAIR									
<b>FY20:</b>	0	<b>FY21:</b>	0	<b>FY22:</b>	0	<b>FY23:</b>	0	<b>FY24:</b>	0

<b>761:</b>	Available	<b>762:</b>	Unavailable
<b>EDL:</b>	Available	<b>RDL:</b>	Unavailable

## COMMENTS

- Interested vendors should submit a **Source Approval Request (SAR)**
- **Critical Safety Item**



# Gas Turbine Metallic Seal

**Alternate Sourcing – New Buy**

**Tinker AFB – 421 SCMS**



<b>AMC/AMSC:</b>	<b>1</b>	<b>C</b>
<b>RMC/RMSC:</b>	<b>N/A</b>	<b>N/A</b>
<b>Material:</b>	<b>AMS 6322 or AMS 6323 Steel</b>	
<b>Dimensions:</b>	<b>6.55-6.57"D X 0.779-0.811"L or W</b>	
<b>Criticality Code:</b>	<b>F</b>	
<b>Drawings Available:</b>	<b>Yes</b>	
<b>Drawing #:</b>	<b>256085</b>	
<b>T.O. Available:</b>	<b>Yes</b>	
<b>T.O. #:</b>	<b>2J-TF33-4/-24/-34/-44</b>	
<b>Budget Code:</b>	<b>9</b>	
<b>Drawing Cage Code:</b>	<b>77445</b>	
<b>Mesh File Available:</b>	<b>Unavailable</b>	
<b>Next Higher Asmby:</b>	<b>Front Compressor Rotor, Multiple</b>	

**Health Chart Not Available**

**If you would like to participate in the Technical Discussion on**

**April 27, 2020, at 10:30-11:30 (CST)**

**provide the following, NLT**

**April 23, 2020**

[429SCMS.SASPO.Workflow@us.af.mil](mailto:429SCMS.SASPO.Workflow@us.af.mil)

**-Company, -Address, -Name(s), -Email(s), -Phone, and,**

**-Your questions for Engineering.**



# Sleeve Spacer

## Alternate Sourcing – New Buy

### Tinker AFB – 421 SCMS



<b>MD:</b>	E-3	
<b>TMS:</b>	TF33-PW-100A	
<b>NOUN:</b>	Sleeve Spacer	
<b>NSN:</b>	5365000377040	
<b>P/N:</b>	81311	
<b>Buy Price:</b>	\$0.52	
<b>Date Last Procured:</b>	12/1/2018	
<b>Repair Cost:</b>	\$0.00	
<b>AAC:</b>	D	
<b>Surplus Available:</b>	15277	
<b>QPA/APPL Rate:</b>	198	100
<b>Replacement Rate:</b>	60	

Out Year Requirements: BUY									
<b>FY20:</b>	990	<b>FY21:</b>	990	<b>FY22:</b>	990	<b>FY23:</b>	990	<b>FY24:</b>	990

Out Year Requirements: REPAIR									
<b>FY20:</b>	0	<b>FY21:</b>	0	<b>FY22:</b>	0	<b>FY23:</b>	0	<b>FY24:</b>	0

<b>761:</b>	Available	<b>762:</b>	Unavailable
<b>EDL:</b>	Available	<b>RDL:</b>	Unavailable

**COMMENTS**

**Interested vendors should query beta.SAM.gov for future opportunities**





# Sleeve Spacer

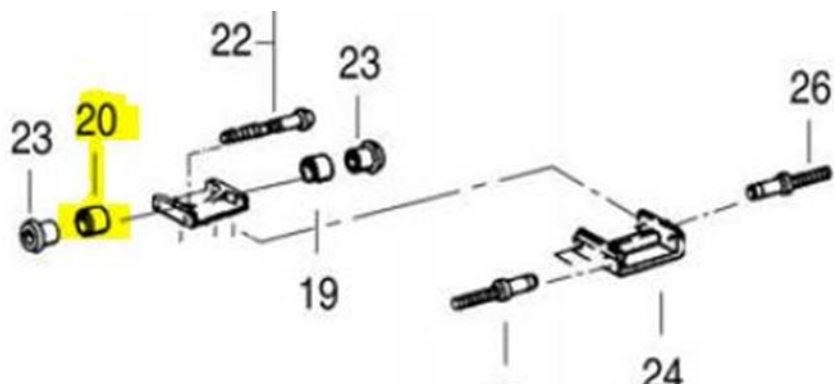
## Alternate Sourcing – New Buy

### Tinker AFB – 421 SCMS



AMC/AMSC:	2	G
RMC/RMSC:	N/A	N/A
Material:	Corrosion Resistant Steel - AMS 5040 or 5042	
Dimensions:	0.99" Min, 1.19" Max L X 0.37" Min, 0.39" Max OD X 0.19" Min, 0.21" Max ID	
Criticality Code:	Y	
Drawings Available:	Yes	
Drawing #:	81311	
T.O. Available:	Yes	
T.O. #:	2J-TF33-34	
Budget Code:	9	
Drawing Cage Code:	77445	
Mesh File Available:	Unavailable	
Next Higher Asmbly:	TF-33 Engine	

Health Chart Not Available



If you would like to participate in the Technical Discussion on  
**April 27, 2020, at 10:30-11:30 (CST)**  
 provide the following, NLT  
**April 23, 2020**  
[429SCMS.SASPO.Workflow@us.af.mil](mailto:429SCMS.SASPO.Workflow@us.af.mil)  
 -Company, -Address, -Name(s), -Email(s), -Phone, and,  
 -Your questions for Engineering.



# Turbine Engine Oil Sump Adapter

**Alternate Sourcing – New Buy**

Tinker AFB – 421 SCMS



<b>MD:</b>	E-3	
<b>TMS:</b>	TF33-PW-100A	
<b>NOUN:</b>	Turbine Engine Oil Sump Adapter	
<b>NSN:</b>	2840007997513	
<b>P/N:</b>	424145	
<b>Buy Price:</b>	\$2,105.00	
<b>Date Last Procured:</b>	1/1/2019	
<b>Repair Cost:</b>	\$0.00	
<b>AAC:</b>	D	
<b>Surplus Available:</b>	19	
<b>QPA/APPL Rate:</b>	1	100
<b>Replacement Rate:</b>	79	

Out Year Requirements: BUY									
<b>FY20:</b>	22	<b>FY21:</b>	22	<b>FY22:</b>	22	<b>FY23:</b>	22	<b>FY24:</b>	22

Out Year Requirements: REPAIR									
<b>FY20:</b>	0	<b>FY21:</b>	0	<b>FY22:</b>	0	<b>FY23:</b>	0	<b>FY24:</b>	0

<b>761:</b>	Available	<b>762:</b>	Unavailable
<b>EDL:</b>	Available	<b>RDL:</b>	Unavailable

## COMMENTS

**Interested vendors should submit a Source Approval Request (SAR)**



# Turbine Engine Oil Sump Adapter

**Alternate Sourcing – New Buy**

**Tinker AFB – 421 SCMS**



<b>AMC/AMSC:</b>	<b>1</b>	<b>C</b>
<b>RMC/RMSC:</b>	<b>N/A</b>	<b>N/A</b>
<b>Material:</b>	<b>AMS 5613 Steel</b>	
<b>Dimensions:</b>	<b>1.47" L X 7.91" Dia</b>	
<b>Criticality Code:</b>	<b>Y</b>	
<b>Drawings Available:</b>	<b>Yes</b>	
<b>Drawing #:</b>	<b>424145</b>	
<b>T.O. Available:</b>	<b>Yes</b>	
<b>T.O. #:</b>	<b>2J-TF33-34/-44</b>	
<b>Budget Code:</b>	<b>9</b>	
<b>Drawing Cage Code:</b>	<b>77445</b>	
<b>Mesh File Available:</b>	<b>Unavailable</b>	
<b>Next Higher Asmbly:</b>	<b>TF-33 Engine</b>	

**Health Chart Not Available**



If you would like to participate in the Technical Discussion on

**April 27, 2020, at 10:30-11:30 (CST)**

provide the following, NLT

**April 23, 2020**

[429SCMS.SASPO.Workflow@us.af.mil](mailto:429SCMS.SASPO.Workflow@us.af.mil)

- Company, -Address, -Name(s), -Email(s), -Phone, and,
- Your questions for Engineering.



# Front Compressor Sleeve

**Alternate Sourcing – New Buy**

**Tinker AFB – 421 SCMS**



<b>MD:</b>	B-52, C-135, E-3	
<b>TMS:</b>	TF33-P-100A; TF33-P-103	
<b>NOUN:</b>	Front Compressor Sleeve	
<b>NSN:</b>	3120007583487	
<b>P/N:</b>	738088	
<b>Buy Price:</b>	\$784.63	
<b>Date Last Procured:</b>	1/1/2019	
<b>Repair Cost:</b>	\$0.00	
<b>AAC:</b>	D	
<b>Surplus Available:</b>	1000	
<b>QPA/APPL Rate:</b>	1	100
<b>Replacement Rate:</b>	54	

Out Year Requirements: BUY									
<b>FY20:</b>	6	<b>FY21:</b>	6	<b>FY22:</b>	6	<b>FY23:</b>	6	<b>FY24:</b>	6

Out Year Requirements: REPAIR									
<b>FY20:</b>	0	<b>FY21:</b>	0	<b>FY22:</b>	0	<b>FY23:</b>	0	<b>FY24:</b>	0

<b>761:</b>	Available	<b>762:</b>	Unavailable
<b>EDL:</b>	Available	<b>RDL:</b>	Unavailable

## COMMENTS

**Interested vendors should submit a Source Approval Request (SAR)**



# Front Compressor Sleeve

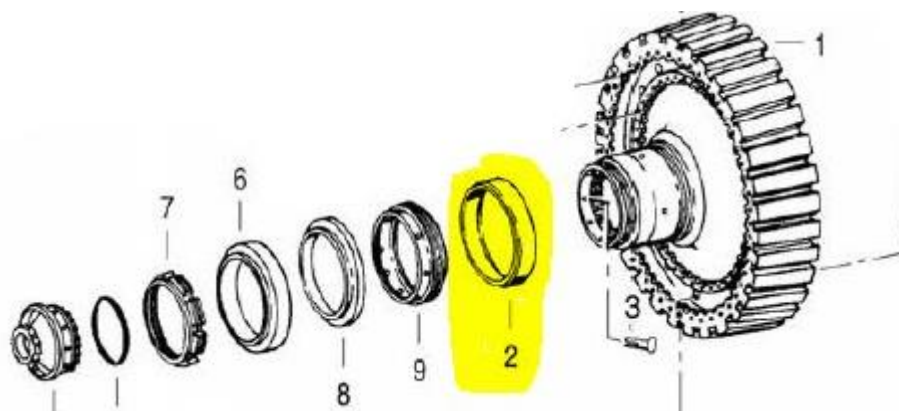
Alternate Sourcing – New Buy

Tinker AFB – 421 SCMS



AMC/AMSC:	1	C
RMC/RMSC:	N/A	N/A
Material:	AMS 5661 NI Alloy	
Dimensions:	5.0225" ID X 5.135" OD X 1.395" THK	
Criticality Code:	X	
Drawings Available:	Yes	
Drawing #:	738088	
T.O. Available:	Yes	
T.O. #:	2J-TF33-4/-34/-44	
Budget Code:	9	
Drawing Cage Code:	77445	
Mesh File Available:	Unavailable	
Next Higher Asmbly:	2840012355252 & 2840009120084	

Health Chart Not Available



If you would like to participate in the Technical Discussion on

**April 27, 2020, at 10:30-11:30 (CST)**

provide the following, NLT

**April 23, 2020**

[429SCMS.SASPO.Workflow@us.af.mil](mailto:429SCMS.SASPO.Workflow@us.af.mil)

-Company, -Address, -Name(s), -Email(s), -Phone, and,  
-Your questions for Engineering.





# Gas Turbine Compressor Disk

**Alternate Sourcing – New Buy**

Tinker AFB – 421 SCMS



<b>MD:</b>	C-135, E-3, E-8, B-52	
<b>TMS:</b>	TF33-P-100A; TF33-P-102C	
<b>NOUN:</b>	Gas Turbine Compressor Disk	
<b>NSN:</b>	2840009668032	
<b>P/N:</b>	719606	
<b>Buy Price:</b>	\$10,493.00	
<b>Date Last Procured:</b>	4/3/1996	
<b>Repair Cost:</b>	\$1,094.00	
<b>AAC:</b>	M	
<b>Surplus Available:</b>	14	
<b>QPA/APPL Rate:</b>	1	100
<b>Replacement Rate:</b>	9	

Out Year Requirements: BUY									
<b>FY20:</b>	29	<b>FY21:</b>	23	<b>FY22:</b>	24	<b>FY23:</b>	29	<b>FY24:</b>	23

Out Year Requirements: REPAIR									
<b>FY20:</b>	35	<b>FY21:</b>	25	<b>FY22:</b>	1	<b>FY23:</b>	0	<b>FY24:</b>	0

<b>761:</b>	Available	<b>762:</b>	Unavailable
<b>EDL:</b>	Unavailable	<b>RDL:</b>	Unavailable

## COMMENTS

**Interested vendors should submit a Source Approval Request (SAR) and obtain a licensing agreement with Pratt & Whitney**



# Gas Turbine Compressor Disk

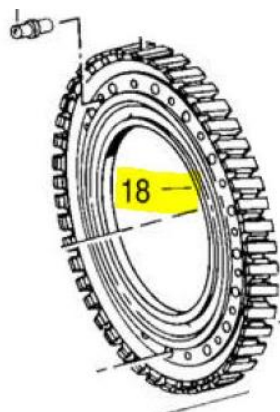
**Alternate Sourcing – New Buy**

**Tinker AFB – 421 SCMS**



<b>AMC/AMSC:</b>	<b>3</b>	<b>V</b>
<b>RMC/RMSC:</b>	<b>N/A</b>	<b>N/A</b>
<b>Material:</b>	<b>AMS 4928 Titanium</b>	
<b>Dimensions:</b>	<b>20"L X 20"W X 3.86"H X 75 LBS</b>	
<b>Criticality Code:</b>	<b>F</b>	
<b>Drawings Available:</b>	<b>Yes</b>	
<b>Drawing #:</b>	<b>719606</b>	
<b>T.O. Available:</b>	<b>Yes</b>	
<b>T.O. #:</b>	<b>2J-TF33-4/-34/-44</b>	
<b>Budget Code:</b>	<b>8</b>	
<b>Drawing Cage Code:</b>	<b>77445</b>	
<b>Mesh File Available:</b>	<b>Unavailable</b>	
<b>Next Higher Asmbly:</b>	<b>Compressor Rotor, Multiple</b>	

**Health Chart Not Available**



**If you would like to participate in the Technical Discussion on**

**April 27, 2020, at 10:30-11:30 (CST)**

**provide the following, NLT**

**April 23, 2020**

[429SCMS.SASPO.Workflow@us.af.mil](mailto:429SCMS.SASPO.Workflow@us.af.mil)

- Company, -Address, -Name(s), -Email(s), -Phone, and,**
- Your questions for Engineering.**



# Gas Turbine Compressor Blade

**Alternate Sourcing – New Buy**

Tinker AFB – 421 SCMS



MD:	E-3	
TMS:	TF33-PW-100A	
NOUN:	Gas Turbine Compressor Blade	
NSN:	2840001662356	
P/N:	753212	
Buy Price:	\$344.09	
Date Last Procured:	9/29/2012	
Repair Cost:	\$130.75	
AAC:	C	
Surplus Available:	16	
QPA/APPL Rate:	75	100
Replacement Rate:	0	



Out Year Requirements: BUY									
FY20:	2248	FY21:	2295	FY22:	2152	FY23:	2216	FY24:	2244

Out Year Requirements: REPAIR									
FY20:	0	FY21:	0	FY22:	0	FY23:	0	FY24:	0

761:	Available	762:	Unavailable
EDL:	Available	RDL:	Unavailable

## COMMENTS

**Interested vendors should submit a Source Approval Request (SAR) and obtain a licensing agreement with Pratt & Whitney**



# Gas Turbine Compressor Blade

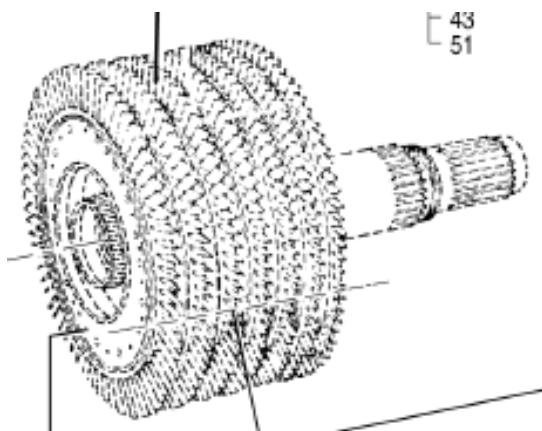
**Alternate Sourcing – New Buy**

**Tinker AFB – 421 SCMS**



<b>AMC/AMSC:</b>	<b>3</b>	<b>R</b>
<b>RMC/RMSC:</b>	<b>N/A</b>	<b>N/A</b>
<b>Material:</b>	<b>MADE OF AMS 5616 STAINLESS STEEL, GLASS LEAD AS PER AMS</b>	
<b>Dimensions:</b>	<b>L 2.75" x W 1.12" x H 2.75"; W 0.25lb</b>	
<b>Criticality Code:</b>	<b>Y</b>	
<b>Drawings Available:</b>	<b>Yes</b>	
<b>Drawing #:</b>	<b>753212</b>	
<b>T.O. Available:</b>	<b>Yes</b>	
<b>T.O. #:</b>	<b>2J-TF33-44</b>	
<b>Budget Code:</b>	<b>8</b>	
<b>Drawing Cage Code:</b>	<b>77445</b>	
<b>Mesh File Available:</b>	<b>Unavailable</b>	
<b>Next Higher Asmbly:</b>	<b>TF33 Engine</b>	

**Health Chart Not Available**



**If you would like to participate in the Technical Discussion on**

**April 27, 2020, at 10:30-11:30 (CST)**

**provide the following, NLT**

**April 23, 2020**

[429SCMS.SASPO.Workflow@us.af.mil](mailto:429SCMS.SASPO.Workflow@us.af.mil)

- Company, -Address, -Name(s), -Email(s), -Phone, and,**
- Your questions for Engineering.**



# Combustion Chamber Liner

**Alternate Sourcing – New Buy**

Tinker AFB – 421 SCMS



MD:	E-3	
TMS:	TF33-PW-100A	
NOUN:	Combustion Chamber Liner	
NSN:	2840002695157	
P/N:	520600	
Buy Price:	\$150.00	
Date Last Procured:	11/1/2019	
Repair Cost:	\$0.00	
AAC:	D	
Surplus Available:	37	
QPA/APPL Rate:	1	100
Replacement Rate:	86	



Out Year Requirements: BUY									
FY20:	192	FY21:	192	FY22:	192	FY23:	192	FY24:	192

Out Year Requirements: REPAIR									
FY20:	0	FY21:	0	FY22:	0	FY23:	0	FY24:	0

761:	Available	762:	Unavailable
EDL:	Available	RDL:	Unavailable

## COMMENTS

**Interested vendors should submit a Source Approval Request (SAR) and obtain a licensing agreement with Pratt & Whitney**





# Combustion Chamber Liner

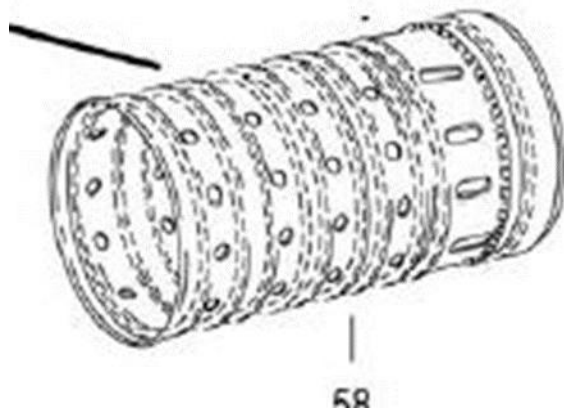
Alternate Sourcing – New Buy

Tinker AFB – 421 SCMS



AMC/AMSC:	3	P
RMC/RMSC:	N/A	N/A
Material:	Not Available	
Dimensions:	Not Available	
Criticality Code:	F	
Drawings Available:	Yes	
Drawing #:	520600	
T.O. Available:	Yes	
T.O. #:	2J-TF33-4/-44	
Budget Code:	9	
Drawing Cage Code:	77445	
Mesh File Available:	Unavailable	
Next Higher Asmbly:	TF33 Engine	

Health Chart Not Available



If you would like to participate in the Technical Discussion on

**April 27, 2020, at 10:30-11:30 (CST)**

provide the following, NLT

**April 23, 2020**

[429SCMS.SASPO.Workflow@us.af.mil](mailto:429SCMS.SASPO.Workflow@us.af.mil)

-Company, -Address, -Name(s), -Email(s), -Phone, and,  
-Your questions for Engineering.



# Filter Warning Indicator

**Alternate Sourcing – New Buy**

**Tinker AFB – 421 SCMS**



<b>MD:</b>	E-3, E-8	
<b>TMS:</b>	TF33-P-100A; TF33-P-102C	
<b>NOUN:</b>	Filter Warning Indicator	
<b>NSN:</b>	2945002117588	
<b>P/N:</b>	716153	
<b>Buy Price:</b>	\$2,424.66	
<b>Date Last Procured:</b>	5/1/2019	
<b>Repair Cost:</b>	\$0.00	
<b>AAC:</b>	D	
<b>Surplus Available:</b>	1	
<b>QPA/APPL Rate:</b>	1	100
<b>Replacement Rate:</b>	15	

Out Year Requirements: BUY									
<b>FY20:</b>	<b>4</b>	<b>FY21:</b>	<b>4</b>	<b>FY22:</b>	<b>4</b>	<b>FY23:</b>	<b>4</b>	<b>FY24:</b>	<b>4</b>

Out Year Requirements: REPAIR									
<b>FY20:</b>	<b>0</b>	<b>FY21:</b>	<b>0</b>	<b>FY22:</b>	<b>0</b>	<b>FY23:</b>	<b>0</b>	<b>FY24:</b>	<b>0</b>

<b>761:</b>	Unavailable	<b>762:</b>	Unavailable
<b>EDL:</b>	Unavailable	<b>RDL:</b>	Unavailable

## COMMENTS

**Interested vendors should submit a Source Approval Request (SAR)**



# Filter Warning Indicator

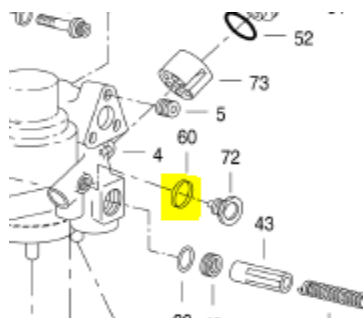
Alternate Sourcing – New Buy

Tinker AFB – 421 SCMS



AMC/AMSC:	3	C
RMC/RMSC:	N/A	N/A
Material:	Not Available	
Dimensions:	Not Available	
Criticality Code:	X	
Drawings Available:	Yes	
Drawing #:	716153	
T.O. Available:	Yes	
T.O. #:	2J-TF33-34/44	
Budget Code:	9	
Drawing Cage Code:	77445	
Mesh File Available:	Unavailable	
Next Higher Asmbly:	2945012047447, 2945012047450, 2	

Health Chart Not Available



If you would like to participate in the Technical Discussion on

**April 27, 2020, at 10:30-11:30 (CST)**

provide the following, NLT

**April 23, 2020**

[429SCMS.SASPO.Workflow@us.af.mil](mailto:429SCMS.SASPO.Workflow@us.af.mil)

- Company, -Address, -Name(s), -Email(s), -Phone, and,
- Your questions for Engineering.



# Gas Turbine Blade Set

**Alternate Sourcing – New Buy**

**Tinker AFB – 421 SCMS**



<b>MD:</b>	E-3, C-135, E-8, B-52	
<b>TMS:</b>	TF33-PW-100A;#TF33-P-100A;#TF33	
<b>NOUN:</b>	Gas Turbine Blade Set	
<b>NSN:</b>	2840004399235	
<b>P/N:</b>	410027	
<b>Buy Price:</b>	\$351.86	
<b>Date Last Procured:</b>	11/9/2012	
<b>Repair Cost:</b>	\$155.00	
<b>AAC:</b>	C	
<b>Surplus Available:</b>	19	
<b>QPA/APPL Rate:</b>	17	100
<b>Replacement Rate:</b>	22	

<b>Out Year Requirements: BUY</b>									
<b>FY20:</b>	<b>1577</b>	<b>FY21:</b>	<b>1633</b>	<b>FY22:</b>	<b>1552</b>	<b>FY23:</b>	<b>1687</b>	<b>FY24:</b>	<b>1577</b>

<b>Out Year Requirements: REPAIR</b>									
<b>FY20:</b>	<b>0</b>	<b>FY21:</b>	<b>0</b>	<b>FY22:</b>	<b>0</b>	<b>FY23:</b>	<b>0</b>	<b>FY24:</b>	<b>0</b>

<b>761:</b>	Available	<b>762:</b>	Unavailable
<b>EDL:</b>	Unavailable	<b>RDL:</b>	Unavailable

## COMMENTS

**Interested vendors should submit a Source Approval Request (SAR) and obtain a licensing agreement from Pratt & Whitney  
Government does not own technical data**



# Gas Turbine Blade Set

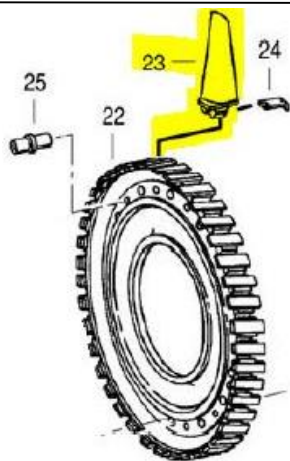
Alternate Sourcing – New Buy

Tinker AFB – 421 SCMS



AMC/AMSC:	4	P
RMC/RMSC:	N/A	N/A
Material:	AMS 4928 Titanium Alloy	
Dimensions:	7"L X 2.5"W X 1.75"H X 1 LB	
Criticality Code:	Y	
Drawings Available:	No	
Drawing #:	410027	
T.O. Available:	Yes	
T.O. #:	2J-TF33-4/-34/-44	
Budget Code:	8	
Drawing Cage Code:	77445	
Mesh File Available:	0	
Next Higher Asmbly:	Front Compressor Rotor, 28400082	

AVCOM Health Chart Not Available



If you would like to participate in the Technical Discussion on

**April 27, 2020, at 10:30-11:30 (CST)**

provide the following, NLT

**April 23, 2020**

[429SCMS.SASPO.Workflow@us.af.mil](mailto:429SCMS.SASPO.Workflow@us.af.mil)

- Company, -Address, -Name(s), -Email(s), -Phone, and,
- Your questions for Engineering.





# Pin Rivet

**Alternate Sourcing – New Buy**  
Tinker AFB – 421 SCMS



<b>MD:</b>	C-135, B-52, E-3	
<b>TMS:</b>	TF33-P-100A; TF33-P-102A	
<b>NOUN:</b>	Pin Rivet	
<b>NSN:</b>	5320005822694	
<b>P/N:</b>	HS62-6-6	
<b>Buy Price:</b>	\$3.99	
<b>Date Last Procured:</b>	3/1/2019	
<b>Repair Cost:</b>	\$0.00	
<b>AAC:</b>	D	
<b>Surplus Available:</b>	5018	
<b>QPA/APPL Rate:</b>	20	100
<b>Replacement Rate:</b>	89	

Out Year Requirements: BUY									
<b>FY20:</b>	90	<b>FY21:</b>	90	<b>FY22:</b>	90	<b>FY23:</b>	90	<b>FY24:</b>	90

Out Year Requirements: REPAIR									
<b>FY20:</b>	0	<b>FY21:</b>	0	<b>FY22:</b>	0	<b>FY23:</b>	0	<b>FY24:</b>	0

<b>761:</b>	Unavailable	<b>762:</b>	Unavailable
<b>EDL:</b>	Unavailable	<b>RDL:</b>	Unavailable

**COMMENTS**

- Interested vendors should submit a Source Approval Request (SAR)**



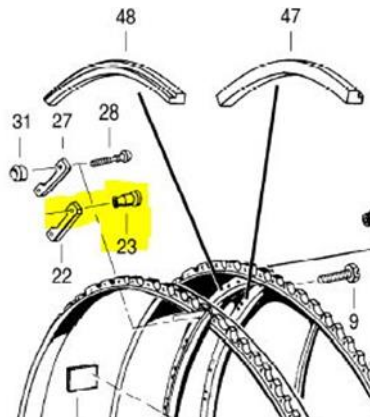
# Pin Rivet

**Alternate Sourcing – New Buy**  
Tinker AFB – 421 SCMS



<b>AMC/AMSC:</b>	1	C
<b>RMC/RMSC:</b>	N/A	N/A
<b>Material:</b>	Steel Comp 431	
<b>Dimensions:</b>	Head Height: 0.045" Min and 0.055" Max Shank Diameter: 0.189" Nominal Head Major Diameter: 0.295" Min X	
<b>Criticality Code:</b>	X	
<b>Drawings Available:</b>	Yes	
<b>Drawing #:</b>	HS62	
<b>T.O. Available:</b>	Yes	
<b>T.O. #:</b>	2J-TF33-4	
<b>Budget Code:</b>	9	
<b>Drawing Cage Code:</b>	73197	
<b>Mesh File Available:</b>	Unavailable	
<b>Next Higher Asmby:</b>	2840007982846 & 2840012355252	

Health Chart Not Available



If you would like to participate in the Technical Discussion on

**April 27, 2020, at 10:30-11:30 (CST)**

provide the following, NLT

**April 23, 2020**

[429SCMS.SASPO.Workflow@us.af.mil](mailto:429SCMS.SASPO.Workflow@us.af.mil)

- Company, -Address, -Name(s), -Email(s), -Phone, and,
- Your questions for Engineering.



# Retaining Tabwasher

**Alternate Sourcing – New Buy**

Tinker AFB – 421 SCMS



MD:	E-3	
TMS:	TF33-PW-100A	
NOUN:	Retaining Tabwasher	
NSN:	5310000974338	
P/N:	157678	
Buy Price:	\$76.00	
Date Last Procured:	6/3/2017	
Repair Cost:	\$0.00	
AAC:	D	
Surplus Available:	27	
QPA/APPL Rate:	1	100
Replacement Rate:	100	



Out Year Requirements: BUY									
FY20:	129	FY21:	129	FY22:	129	FY23:	129	FY24:	129

Out Year Requirements: REPAIR									
FY20:	0	FY21:	0	FY22:	0	FY23:	0	FY24:	0

761:	Unavailable	762:	Unavailable
EDL:	Unavailable	RDL:	Unavailable

## COMMENTS

**Interested vendors should submit a Source Approval Request (SAR) and obtain a licensing agreement with Pratt & Whitney**



# Retaining Tabwasher

**Alternate Sourcing – New Buy**

**Tinker AFB – 421 SCMS**



<b>AMC/AMSC:</b>	<b>1</b>	<b>P</b>
<b>RMC/RMSC:</b>	<b>N/A</b>	<b>N/A</b>
<b>Material:</b>	<b>Steel AMS 5040 or AMS 5042</b>	
<b>Dimensions:</b>	4.002 IN. NOM OD, 3.940 IN. NOM ID, 0.615 IN. NOM LG, 28 TABS EQUALLY SPACED 0.250 IN. W AND 5 T ABS 0.370 IN. W ON ID EQUALLY SPACED	
<b>Criticality Code:</b>	<b>X</b>	
<b>Drawings Available:</b>	<b>No</b>	
<b>Drawing #:</b>	<b>None</b>	
<b>T.O. Available:</b>	<b>Yes</b>	
<b>T.O. #:</b>	<b>2J-TF33-4,34</b>	
<b>Budget Code:</b>	<b>9</b>	
<b>Drawing Cage Code:</b>	<b>0</b>	
<b>Mesh File Available:</b>	<b>Unavailable</b>	
<b>Next Higher Asmby:</b>	<b>TF33-PW-100A</b>	

**Health Chart Not Available**



If you would like to participate in the Technical Discussion on

**April 27, 2020, at 10:30-11:30 (CST)**

provide the following, NLT

**April 23, 2020**

[429SCMS.SASPO.Workflow@us.af.mil](mailto:429SCMS.SASPO.Workflow@us.af.mil)

- Company, -Address, -Name(s), -Email(s), -Phone, and,
- Your questions for Engineering.



# Gas Turbine Compressor Blade Set

**Alternate Sourcing – New Buy/Repair**

Tinker AFB – 421 SCMS



MD:	E-3	
TMS:	TF33-PW-100A	
NOUN:	Gas Turbine Compressor Blade Set	
NSN:	2840010991805	
P/N:	781777	
Buy Price:	\$400.18	
Date Last Procured:	12/20/2005	
Repair Cost:	\$270.00	
AAC:	C	
Surplus Available:	2	
QPA/APPL Rate:	54	100
Replacement Rate:	0	

Out Year Requirements: BUY									
FY20:	1758	FY21:	1871	FY22:	1852	FY23:	1601	FY24:	1712

Out Year Requirements: REPAIR									
FY20:	1724	FY21:	1764	FY22:	580	FY23:	0	FY24:	0

761:	Available	762:	Available
EDL:	Available	RDL:	Available

## COMMENTS

**Interested vendors should submit a Source Approval Request (SAR) and obtain a licensing agreement with Pratt & Whitney**





# Gas Turbine Compressor Blade Set

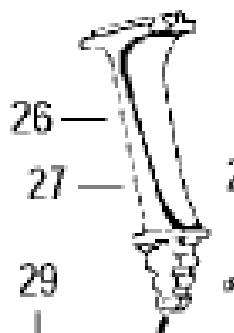
**Alternate Sourcing – New Buy/Repair**

**Tinker AFB – 421 SCMS**



<b>AMC/AMSC:</b>	<b>3</b>	<b>R</b>
<b>RMC/RMSC:</b>	<b>1</b>	<b>C</b>
<b>Material:</b>	<b>PWA 655 (INCONEL 713) NICKEL ALLOY COATING IS PWA 694</b>	
<b>Dimensions:</b>	<b>L 7.5" X W 1.5" X H 1.5"; Wt 1.0 LB</b>	
<b>Criticality Code:</b>	<b>F</b>	
<b>Drawings Available:</b>	<b>Yes</b>	
<b>Drawing #:</b>	<b>781777</b>	
<b>T.O. Available:</b>	<b>Yes</b>	
<b>T.O. #:</b>	<b>2J-TF33-4</b>	
<b>Budget Code:</b>	<b>8</b>	
<b>Drawing Cage Code:</b>	<b>77445</b>	
<b>Mesh File Available:</b>	<b>Unavailable</b>	
<b>Next Higher Asmbly:</b>	<b>TF33-P-5/9/100/102C/103</b>	

**Health Chart Not Available**



**If you would like to participate in the Technical Discussion on**

**April 27, 2020, at 10:30-11:30 (CST)**

**provide the following, NLT**

**April 23, 2020**

[429SCMS.SASPO.Workflow@us.af.mil](mailto:429SCMS.SASPO.Workflow@us.af.mil)

- Company, -Address, -Name(s), -Email(s), -Phone, and,**
- Your questions for Engineering.**



# Gas Turbine Engine Seal

**Alternate Sourcing – New Buy**

**Tinker AFB – 421 SCMS**



<b>MD:</b>	E-3, B-52	
<b>TMS:</b>	TF33-P-102C;#TF33-P-103	
<b>NOUN:</b>	Gas Turbine Engine Seal	
<b>NSN:</b>	2840011609202	
<b>P/N:</b>	734825	
<b>Buy Price:</b>	\$5,788.84	
<b>Date Last Procured:</b>	2/20/2019	
<b>Repair Cost:</b>	\$3,157.00	
<b>AAC:</b>	C	
<b>Surplus Available:</b>	258	
<b>QPA/APPL Rate:</b>	1	100
<b>Replacement Rate:</b>	100	

Out Year Requirements: BUY									
<b>FY20:</b>	101	<b>FY21:</b>	87	<b>FY22:</b>	95	<b>FY23:</b>	97	<b>FY24:</b>	91

Out Year Requirements: REPAIR									
<b>FY20:</b>	0	<b>FY21:</b>	0	<b>FY22:</b>	0	<b>FY23:</b>	0	<b>FY24:</b>	0

<b>761:</b>	Available	<b>762:</b>	Unavailable
<b>EDL:</b>	Available	<b>RDL:</b>	Unavailable

## COMMENTS

**Interested vendors should submit a Source Approval Request (SAR)**

**Critical Safety Item**



# Gas Turbine Engine Seal

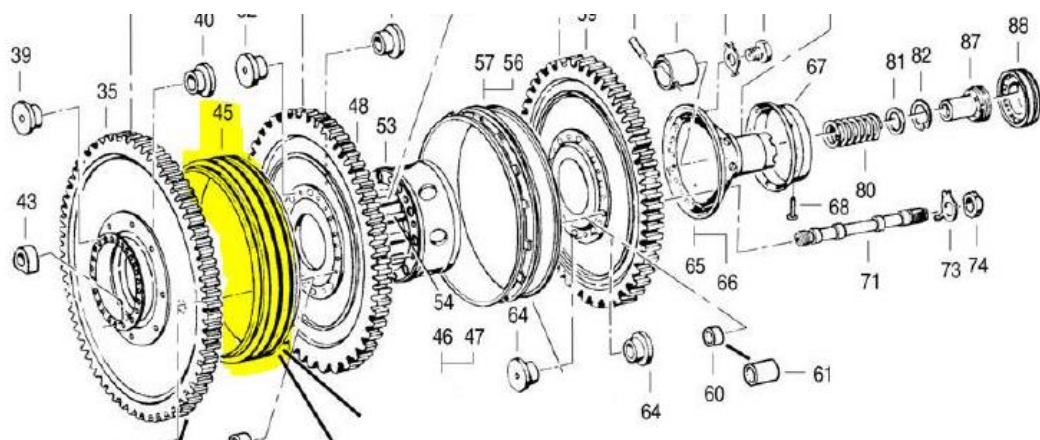
Alternate Sourcing – New Buy

Tinker AFB – 421 SCMS



AMC/AMSC:	1	C
RMC/RMSC:	N/A	N/A
Material:	AMS 5560 Nickel Alloy	
Dimensions:	15.41"L X 2.92"W X 14.66"H X 5 LBS	
Criticality Code:	Y	
Drawings Available:	Yes	
Drawing #:	734825	
T.O. Available:	Yes	
T.O. #:	2J-TF33-34	
Budget Code:	8	
Drawing Cage Code:	77445	
Mesh File Available:	0	
Next Higher Asmby:	Low Speed Turbine Rotor, 2840014	

AVCOM Health Chart Not Available



If you would like to participate in the Technical Discussion on

**April 27, 2020, at 10:30-11:30 (CST)**

provide the following, NLT

**April 23, 2020**

[429SCMS.SASPO.Workflow@us.af.mil](mailto:429SCMS.SASPO.Workflow@us.af.mil)

- Company, -Address, -Name(s), -Email(s), -Phone, and,
- Your questions for Engineering.



# Tube and Heatshield

## Alternate Sourcing – New Buy

Tinker AFB – 421 SCMS



MD:	E-3	
TMS:	TF33-PW-100A	
NOUN:	Tube and Heatshield	
NSN:	2840011909221	
P/N:	576588	
Buy Price:	\$7,703.40	
Date Last Procured:	4/10/2018	
Repair Cost:	\$1,401.00	
AAC:	M	
Surplus Available:	43	
QPA/APPL Rate:	1	100
Replacement Rate:	74	

Out Year Requirements: BUY									
FY20:	0	FY21:	73	FY22:	99	FY23:	29	FY24:	96

Out Year Requirements: REPAIR									
FY20:	0	FY21:	0	FY22:	27	FY23:	0	FY24:	0

761:	Available	762:	Unavailable
EDL:	Available	RDL:	Unavailable

### COMMENTS

**Interested vendors should submit a Source Approval Request (SAR) and obtain a licensing agreement with Pratt & Whitney**



# Tube and Heatshield

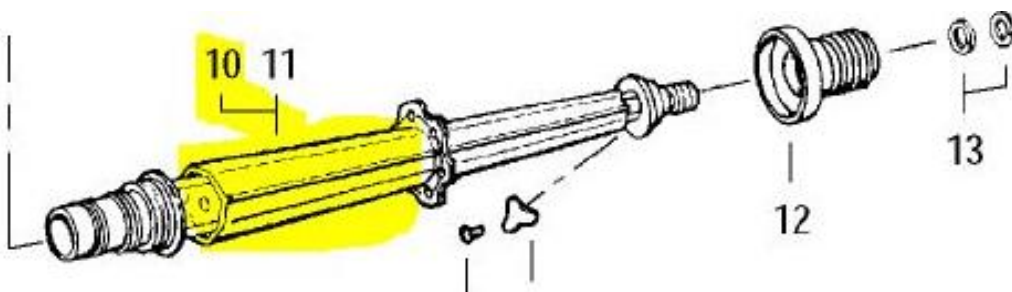
Alternate Sourcing – New Buy

Tinker AFB – 421 SCMS



AMC/AMSC:	1	P
RMC/RMSC:	N/A	N/A
Material:	Steel Alloy	
Dimensions:	37"L X 4"W X 4"H X 10 LBS	
Criticality Code:	F	
Drawings Available:	Yes	
Drawing #:	576588	
T.O. Available:	Yes	
T.O. #:	2J-TF33-34	
Budget Code:	8	
Drawing Cage Code:	77445	
Mesh File Available:	Unavailable	
Next Higher Asmby:	2840011606481, 2840014679426	

Health Chart Not Available



If you would like to participate in the Technical Discussion on

**April 27, 2020, at 10:30-11:30 (CST)**

provide the following, NLT

**April 23, 2020**

[429SCMS.SASPO.Workflow@us.af.mil](mailto:429SCMS.SASPO.Workflow@us.af.mil)

- Company, -Address, -Name(s), -Email(s), -Phone, and,
- Your questions for Engineering.





# Gas Turbine Labyrinth Seal Ring

**Alternate Sourcing – New Buy**

Tinker AFB – 421 SCMS



MD:	E-3	
TMS:	TF33-PW-100A	
NOUN:	Gas Turbine Labyrinth Seal Ring	
NSN:	2840007682104	
P/N:	714166	
Buy Price:	\$1,093.08	
Date Last Procured:	1/1/2019	
Repair Cost:	\$0.00	
AAC:	D	
Surplus Available:	91	
QPA/APPL Rate:	1	100
Replacement Rate:	100	

Out Year Requirements: BUY									
FY20:	30	FY21:	30	FY22:	30	FY23:	30	FY24:	30

Out Year Requirements: REPAIR									
FY20:	0	FY21:	0	FY22:	0	FY23:	0	FY24:	0

761:	Available	762:	Unavailable
EDL:	Available	RDL:	Unavailable

## COMMENTS

**Interested vendors should submit a Source Approval Request (SAR) and obtain a licensing agreement with Pratt & Whitney**



# Gas Turbine Labyrinth Seal Ring

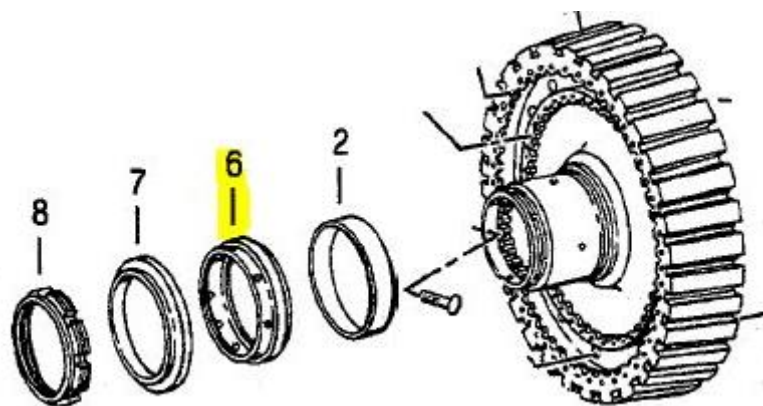
**Alternate Sourcing – New Buy**

**Tinker AFB – 421 SCMS**



<b>AMC/AMSC:</b>	<b>3</b>	<b>P</b>
<b>RMC/RMSC:</b>	<b>N/A</b>	<b>N/A</b>
<b>Material:</b>	<b>AMS 6322 or AMS 6323 Steel</b>	
<b>Dimensions:</b>	<b>1.491" Min, 1.493" Max L X 5.49" Min, 5.51" Max Diameter</b>	
<b>Criticality Code:</b>	<b>Y</b>	
<b>Drawings Available:</b>	<b>No</b>	
<b>Drawing #:</b>	<b>714166</b>	
<b>T.O. Available:</b>	<b>Yes</b>	
<b>T.O. #:</b>	<b>2J-TF33-24/-34</b>	
<b>Budget Code:</b>	<b>9</b>	
<b>Drawing Cage Code:</b>	<b>77445</b>	
<b>Mesh File Available:</b>	<b>Unavailable</b>	
<b>Next Higher Asmbly:</b>	<b>TF-33 Engine</b>	

**Health Chart Not Available**



If you would like to participate in the Technical Discussion on

**April 27, 2020, at 10:30-11:30 (CST)**

provide the following, NLT

**April 23, 2020**

[429SCMS.SASPO.Workflow@us.af.mil](mailto:429SCMS.SASPO.Workflow@us.af.mil)

-Company, -Address, -Name(s), -Email(s), -Phone, and,  
-Your questions for Engineering.



# Metallic Hose Assembly

**Alternate Sourcing – New Buy**

Tinker AFB – 421 SCMS



<b>MD:</b>	E-3	
<b>TMS:</b>	TF33-PW-100A	
<b>NOUN:</b>	Metallic Hose Assembly	
<b>NSN:</b>	4720008309276	
<b>P/N:</b>	39-10766-501	
<b>Buy Price:</b>	\$1,133.33	
<b>Date Last Procured:</b>	8/1/2019	
<b>Repair Cost:</b>	\$0.00	
<b>AAC:</b>	D	
<b>Surplus Available:</b>	0	
<b>QPA/APPL Rate:</b>	1	100
<b>Replacement Rate:</b>	9	

Out Year Requirements: BUY									
<b>FY20:</b>	16	<b>FY21:</b>	16	<b>FY22:</b>	16	<b>FY23:</b>	16	<b>FY24:</b>	16

Out Year Requirements: REPAIR									
<b>FY20:</b>	0	<b>FY21:</b>	0	<b>FY22:</b>	0	<b>FY23:</b>	0	<b>FY24:</b>	0

<b>761:</b>	Available	<b>762:</b>	Unavailable
<b>EDL:</b>	Available	<b>RDL:</b>	Unavailable

## COMMENTS

**Interested vendors should submit a Source Approval Request (SAR)**



# Metallic Hose Assembly

**Alternate Sourcing – New Buy**

**Tinker AFB – 421 SCMS**



<b>AMC/AMSC:</b>	<b>1</b>	<b>C</b>
<b>RMC/RMSC:</b>	<b>N/A</b>	<b>N/A</b>
<b>Material:</b>	<b>Not Available</b>	
<b>Dimensions:</b>	<b>Not Available</b>	
<b>Criticality Code:</b>	<b>X</b>	
<b>Drawings Available:</b>	<b>Yes</b>	
<b>Drawing #:</b>	<b>39-10766</b>	
<b>T.O. Available:</b>	<b>No</b>	
<b>T.O. #:</b>	<b>NA</b>	
<b>Budget Code:</b>	<b>9</b>	
<b>Drawing Cage Code:</b>	<b>81205</b>	
<b>Mesh File Available:</b>	<b>Unavailable</b>	
<b>Next Higher Asbly:</b>	<b>TF-33 Engine</b>	

**Health Chart Not Available**

**If you would like to participate in the Technical Discussion on**

**April 27, 2020, at 10:30-11:30 (CST)**

**provide the following, NLT**

**April 23, 2020**

[429SCMS.SASPO.Workflow@us.af.mil](mailto:429SCMS.SASPO.Workflow@us.af.mil)

- Company, -Address, -Name(s), -Email(s), -Phone, and,**
- Your questions for Engineering.**



# Gas Turbine Compressor Blade

**Alternate Sourcing – New Buy**

**Tinker AFB – 421 SCMS**



<b>MD:</b>	E-3, E-8, OC-135, WC-135	
<b>TMS:</b>	TF-PW-100A	
<b>NOUN:</b>	Gas Turbine Compressor Blade	
<b>NSN:</b>	2840008224834	
<b>P/N:</b>	753014 (77445)	
<b>Buy Price:</b>	\$379.68	
<b>Date Last Procured:</b>	3/18/2013	
<b>Repair Cost:</b>	\$144.27	
<b>AAC:</b>	C	
<b>Surplus Available:</b>	1366	
<b>QPA/APPL Rate:</b>	85	100
<b>Replacement Rate:</b>	25	



Out Year Requirements: BUY									
<b>FY20:</b>	2223	<b>FY21:</b>	2330	<b>FY22:</b>	2127	<b>FY23:</b>	2210	<b>FY24:</b>	2190

Out Year Requirements: REPAIR									
<b>FY20:</b>	0	<b>FY21:</b>	0	<b>FY22:</b>	0	<b>FY23:</b>	0	<b>FY24:</b>	0

<b>761:</b>	Available	<b>762:</b>	Unavailable
<b>EDL:</b>	Available	<b>RDL:</b>	Unavailable

**COMMENTS**

- Source Approval Request (SAR) and licensing agreement with Pratt & Whitney is required.
- Item is a Critical Application item. Qualification Requirement MQR-PSD-1 applies.





# Gas Turbine Compressor Blade

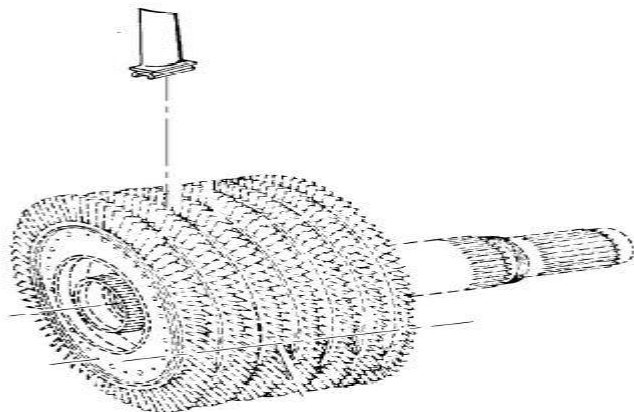
**Alternate Sourcing – New Buy**

**Tinker AFB – 421 SCMS**



AMC/AMSC:	3	D
RMC/RMSC:	N/A	N/A
Material:	AMS 5616 Corrosion and Heat Resistant Steel	
Dimensions:	2.12"L X 0.45"W X 2.12"H X 1.5 LBS	
Criticality Code:	Y	
Drawings Available:	Yes	
Drawing #:	753014	
T.O. Available:	Yes	
T.O. #:	2J-TF33-4/-34/-44	
Budget Code:	8	
Drawing Cage Code:	77445	
Mesh File Available:	0	
Next Higher Asmby:	2840-00-685-9482	

**Health Chart Not Available**



If you would like to participate in the Technical Discussion on

**April 27, 2020, at 10:30-11:30 (CST)**

provide the following, NLT

**April 23, 2020**

[429SCMS.SASPO.Workflow@us.af.mil](mailto:429SCMS.SASPO.Workflow@us.af.mil)

-Company, -Address, -Name(s), -Email(s), -Phone, and,  
-Your questions for Engineering.



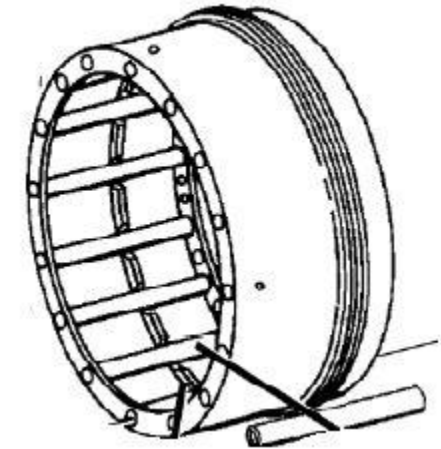
# Compressor Rotor Spacer

**Alternate Sourcing – New Buy**

**Tinker AFB – 421 SCMS**



<b>MD:</b>	0	
<b>TMS:</b>	TF33-PW-100A	
<b>NOUN:</b>	Compressor Rotor Spacer	
<b>NSN:</b>	2840009149802	
<b>P/N:</b>	542536	
<b>Buy Price:</b>	\$18,430.83	
<b>Date Last Procured:</b>	6/11/2018	
<b>Repair Cost:</b>	\$3,953.00	
<b>AAC:</b>	C	
<b>Surplus Available:</b>	36	
<b>QPA/APPL Rate:</b>	1	100
<b>Replacement Rate:</b>	80	



Out Year Requirements: BUY									
<b>FY20:</b>	0	<b>FY21:</b>	0	<b>FY22:</b>	0	<b>FY23:</b>	0	<b>FY24:</b>	0

Out Year Requirements: REPAIR									
<b>FY20:</b>	0	<b>FY21:</b>	0	<b>FY22:</b>	0	<b>FY23:</b>	0	<b>FY24:</b>	0

<b>761:</b>	Available
<b>EDL:</b>	Available

<b>762:</b>	Unavailable
<b>RDL:</b>	Unavailable

## COMMENTS

- Source Approval Request (SAR) and licensing agreement with Pratt & Whitney is required.
- Item is a Critical Application Item. Qualification Requirement MQR-PSD-1 applies.



# Compressor Rotor Spacer

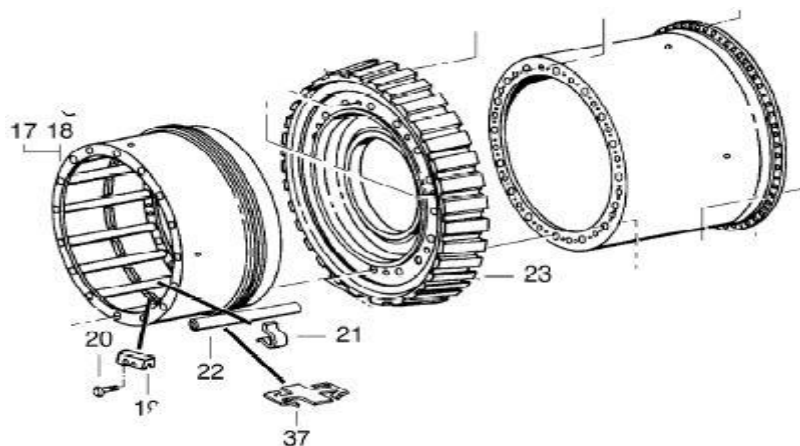
Alternate Sourcing – New Buy

Tinker AFB – 421 SCMS



AMC/AMSC:	3	P
RMC/RMSC:	N/A	N/A
Material:	AMS 4928 Titanium	
Dimensions:	7.17"L X 14"W X 15.5"H X 12 LBS	
Criticality Code:	Y	
Drawings Available:	Yes	
Drawing #:	542536	
T.O. Available:	Yes	
T.O. #:	2J-TF33-4/-34	
Budget Code:	8	
Drawing Cage Code:	77445	
Mesh File Available:	0	
Next Higher Asmby:	2840-01-235-5252	

Health Chart Not Available



If you would like to participate in the Technical Discussion on

**April 27, 2020, at 10:30-11:30 (CST)**

provide the following, NLT

**April 23, 2020**

[429SCMS.SASPO.Workflow@us.af.mil](mailto:429SCMS.SASPO.Workflow@us.af.mil)

-Company, -Address, -Name(s), -Email(s), -Phone, and,

-Your questions for Engineering.



# Counterbalance Weight

**Alternate Sourcing – New Buy**

**Tinker AFB – 421 SCMS**



<b>MD:</b>	E-3	
<b>TMS:</b>	TF33-PW-100A	
<b>NOUN:</b>	Counterbalance Weight	
<b>NSN:</b>	3040009440084	
<b>P/N:</b>	534229CL1	
<b>Buy Price:</b>	\$4.15	
<b>Date Last Procured:</b>	10/1/1999	
<b>Repair Cost:</b>	\$0.00	
<b>AAC:</b>	D	
<b>Surplus Available:</b>	2361	
<b>QPA/APPL Rate:</b>	24	100
<b>Replacement Rate:</b>	7	



Out Year Requirements: BUY									
<b>FY20:</b>	1062	<b>FY21:</b>	1062	<b>FY22:</b>	1062	<b>FY23:</b>	1062	<b>FY24:</b>	1062

Out Year Requirements: REPAIR									
<b>FY20:</b>	0	<b>FY21:</b>	0	<b>FY22:</b>	0	<b>FY23:</b>	0	<b>FY24:</b>	0

<b>761:</b>	Available	<b>762:</b>	Unavailable
<b>EDL:</b>	Available	<b>RDL:</b>	Unavailable

## COMMENTS

- Source Approval Request (SAR) required
- Item is a Critical Application item. Qualification Requirement MQR-PSD-1 applies.

*Supplying Warfighter Dominance*



# Counterbalance Weight

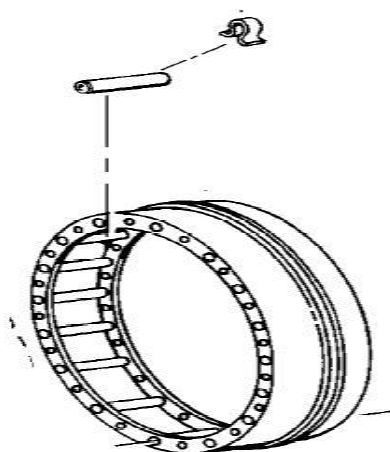
Alternate Sourcing – New Buy

Tinker AFB – 421 SCMS



AMC/AMSC:	1	C
RMC/RMSC:	N/A	N/A
Material:	AMS 5596 SST	
Dimensions:	0.5" Nominal L X 0.163 OZ Nominal Wt	
Criticality Code:	X	
Drawings Available:	Yes	
Drawing #:	534229	
T.O. Available:	Yes	
T.O. #:	2J-TF33-4	
Budget Code:	9	
Drawing Cage Code:	77445	
Mesh File Available:	0	
Next Higher Asmbly:	TF-33 Engine	

Health Chart Not Available



If you would like to participate in the Technical Discussion on

**April 27, 2020, at 10:30-11:30 (CST)**

provide the following, NLT

**April 23, 2020**

[429SCMS.SASPO.Workflow@us.af.mil](mailto:429SCMS.SASPO.Workflow@us.af.mil)

-Company, -Address, -Name(s), -Email(s), -Phone, and,

-Your questions for Engineering.





# Turbine Inverted Nut

**Alternate Sourcing – New Buy**

**Tinker AFB – 421 SCMS**



<b>MD:</b>	E-3	
<b>TMS:</b>	TF33-PW-100A	
<b>NOUN:</b>	Turbine Inverted Nut	
<b>NSN:</b>	2840009663016	
<b>P/N:</b>	460630	
<b>Buy Price:</b>	\$223.37	
<b>Date Last Procured:</b>	11/1/2018	
<b>Repair Cost:</b>	\$0.00	
<b>AAC:</b>	D	
<b>Surplus Available:</b>	113	
<b>QPA/APPL Rate:</b>	5	100
<b>Replacement Rate:</b>	53	



Out Year Requirements: BUY									
<b>FY20:</b>	72	<b>FY21:</b>	72	<b>FY22:</b>	72	<b>FY23:</b>	72	<b>FY24:</b>	72

Out Year Requirements: REPAIR									
<b>FY20:</b>	0	<b>FY21:</b>	0	<b>FY22:</b>	0	<b>FY23:</b>	0	<b>FY24:</b>	0

<b>761:</b>	Available
<b>EDL:</b>	Available

<b>762:</b>	Unavailable
<b>RDL:</b>	Unavailable

**COMMENTS**

- Source Approval Request (SAR) required
- Item is a Critical Application item. Qualification Requirement MQR-PSD-1 applies.



# Turbine Inverted Nut

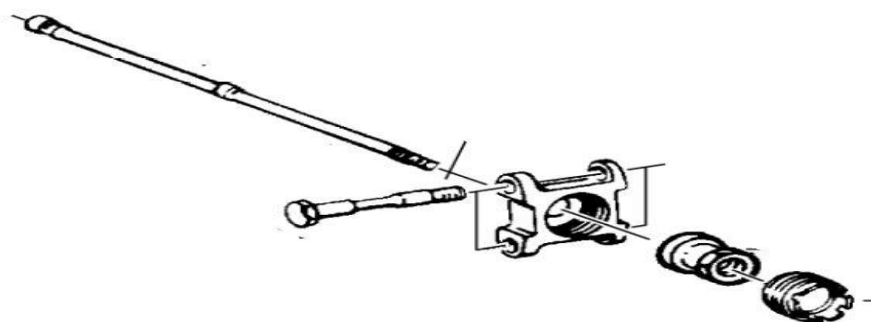
Alternate Sourcing – New Buy

Tinker AFB – 421 SCMS



AMC/AMSC:	2	C
RMC/RMSC:	N/A	N/A
Material:	Steel, Corrosion and Heat-Resistant	
Dimensions:	0	
Criticality Code:	Y	
Drawings Available:	Yes	
Drawing #:	460630	
T.O. Available:	Yes	
T.O. #:	2J-TF33-14; 2J-TF33-44	
Budget Code:	9	
Drawing Cage Code:	77445	
Mesh File Available:	0	
Next Higher Asmbly:	TF33-100	

Health Chart Not Available



If you would like to participate in the Technical Discussion on

**April 27, 2020, at 10:30-11:30 (CST)**

provide the following, NLT

**April 23, 2020**

[429SCMS.SASPO.Workflow@us.af.mil](mailto:429SCMS.SASPO.Workflow@us.af.mil)

- Company, -Address, -Name(s), -Email(s), -Phone, and,
- Your questions for Engineering.



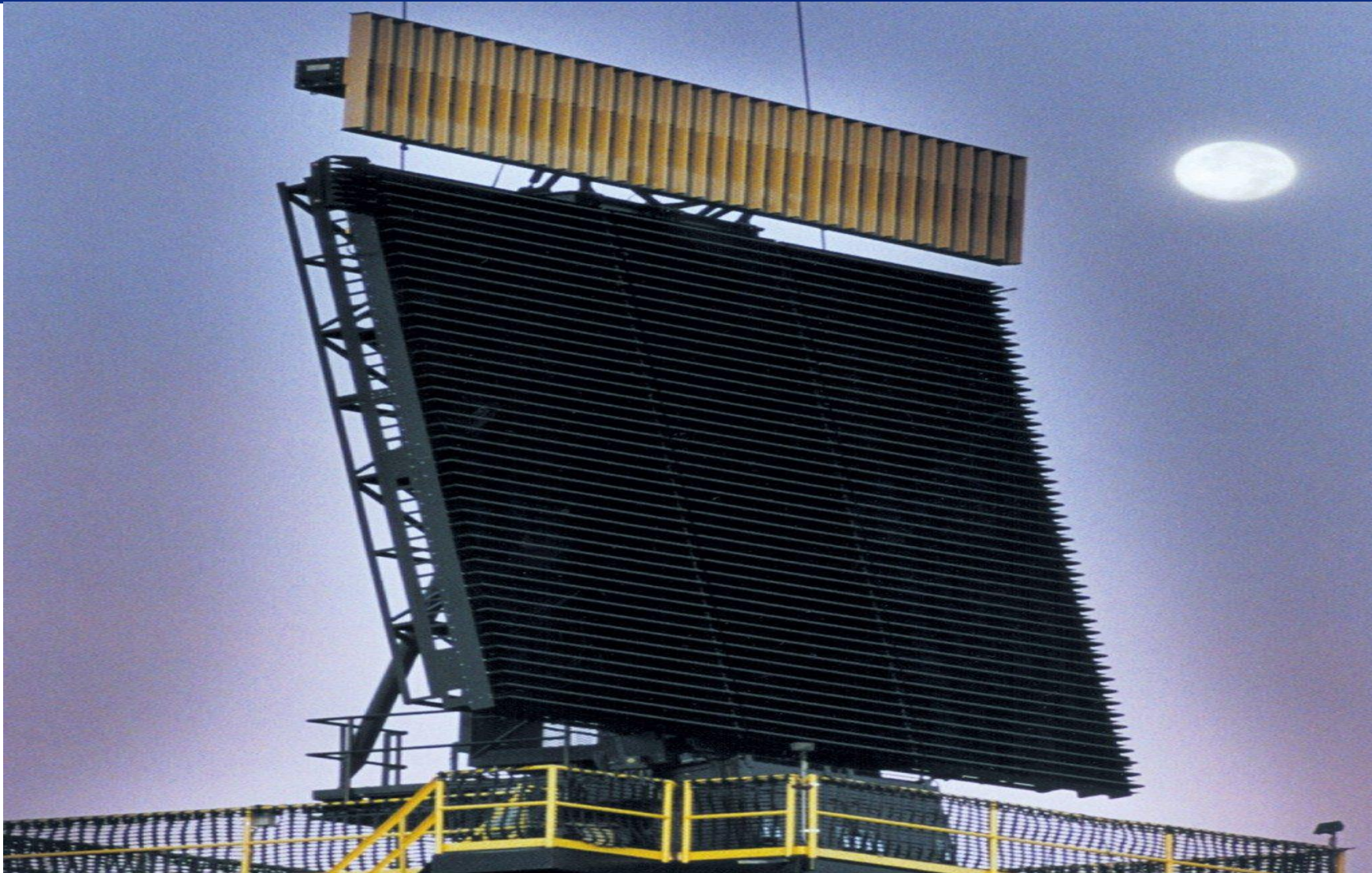
---

*Supplying Warfighter Dominance*





# *Ground-Based Air Surveillance Radar*



*Supplying Warfighter Dominance*



# Motor Pump Assembly

**Alternate Sourcing – Repair**

Hill AFB – 415 SCMS



MD:	AEWS	
TMS:	N/A	
NOUN:	Motor Pump Assembly	
NSN:	4320011573939	
P/N:	80080-1	
Buy Price:	\$2,335.25	
Date Last Procured:	6/10/2019	
Repair Cost:	\$13,510.20	
AAC:	C	
Surplus Available:	0	
QPA/APPL Rate:	1	100
Replacement Rate:	0	

Out Year Requirements: BUY									
FY20:	1	FY21:	2	FY22:	1	FY23:	1	FY24:	2

Out Year Requirements: REPAIR									
FY20:	1	FY21:	0	FY22:	1	FY23:	0	FY24:	1

761:	Available	762:	Available
EDL:	Available	RDL:	Available

## COMMENTS

**Interested vendors should submit a Source Approval Request (SAR)**

**Available technical data does not provide detail required to repair the part**





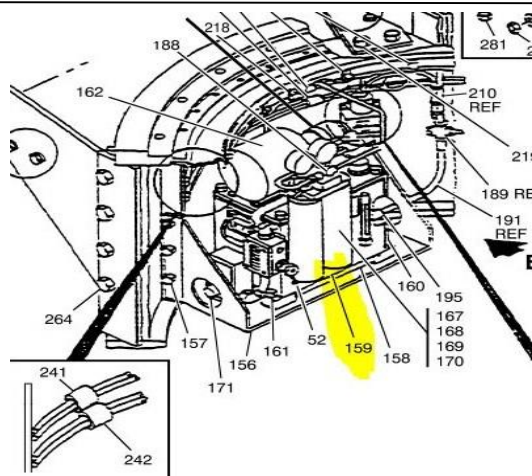
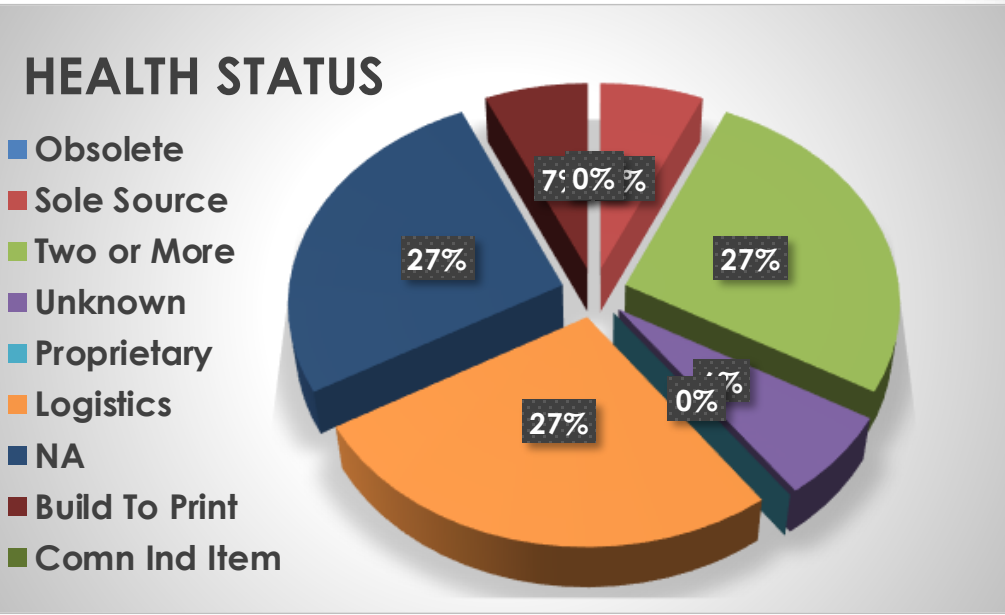
# Motor Pump Assembly

## Alternate Sourcing – Repair

### Hill AFB – 415 SCMS



AMC/AMSC:	1	C
RMC/RMSC:	1	C
Material:	Wiring, Cast Iron, Copper, Nickel Plate Zinc Plate all hardware is	
Dimensions:	22.5"L X 11"W X 24.5"H X 116 LBS	
Criticality Code:	X	
Drawings Available:	Yes	
Drawing #:	77D608232P001	
T.O. Available:	Yes	
T.O. #:	31P6-2FPS117-24	
Budget Code:	8	
Drawing Cage Code:	03538	
Mesh File Available:	0	
Next Higher Asmby:	AN/FPS-117/5840-01-241-3226	



If you would like to participate in the Technical Discussion on **April 27, 2020, at 2:00-3:00PM (CST)** provide the following, NLT **April 23, 2020**

[429SCMS.SASPO.Workflow@us.af.mil](mailto:429SCMS.SASPO.Workflow@us.af.mil)

-Company, -Address, -Name(s), -Email(s), -Phone, and, -Your questions for Engineering.



# Radar's Main Drive Motor

**Alternate Sourcing – Repair**

Hill AFB – 415 SCMS



<b>MD:</b>	AEWS	
<b>TMS:</b>	N/A	
<b>NOUN:</b>	Radar's Main Drive Motor	
<b>NSN:</b>	3010011565943	
<b>P/N:</b>	77C718023P001	
<b>Buy Price:</b>	\$29,917.02	
<b>Date Last Procured:</b>	5/9/2018	
<b>Repair Cost:</b>	\$39,739.22	
<b>AAC:</b>	C	
<b>Surplus Available:</b>	0	
<b>QPA/APPL Rate:</b>	1	100
<b>Replacement Rate:</b>	0	

Out Year Requirements: BUY									
<b>FY20:</b>	0	<b>FY21:</b>	0	<b>FY22:</b>	0	<b>FY23:</b>	0	<b>FY24:</b>	0

Out Year Requirements: REPAIR									
<b>FY20:</b>	0	<b>FY21:</b>	0	<b>FY22:</b>	0	<b>FY23:</b>	0	<b>FY24:</b>	0

<b>761:</b>	Available	<b>762:</b>	Available
<b>EDL:</b>	Available	<b>RDL:</b>	Available

## COMMENTS

**Interested vendors should submit a Source Approval Request (SAR)**

**Available technical data does not provide detail required to repair the part**



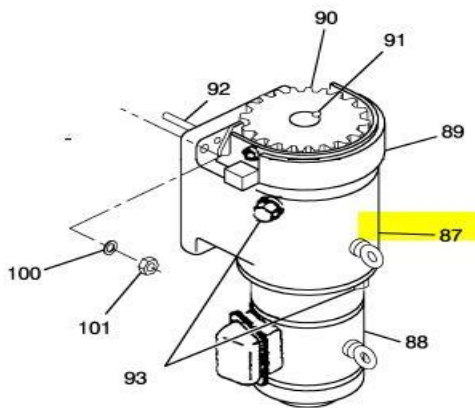
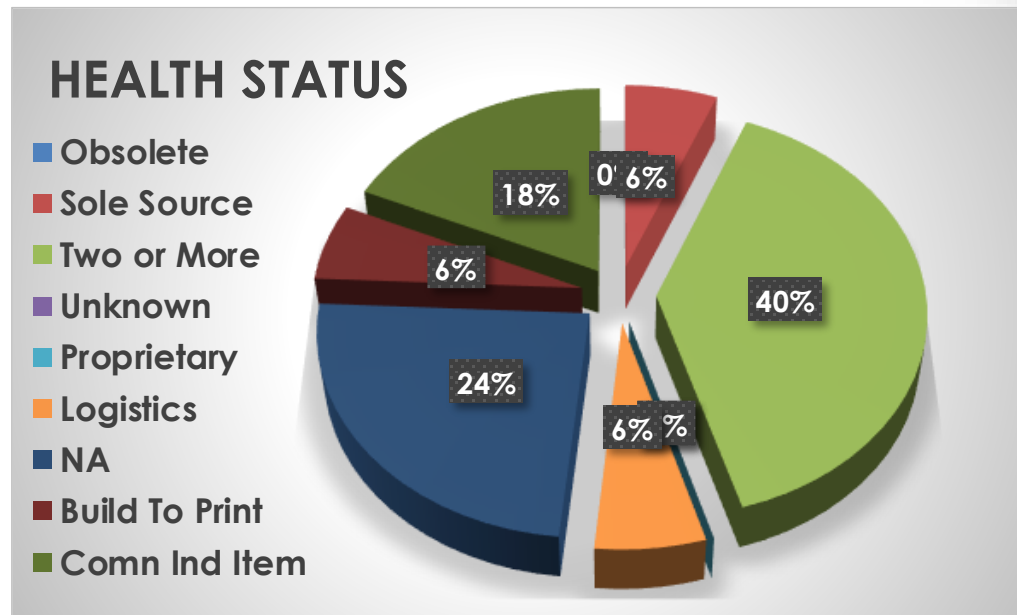
# Radars Main Drive Motor

**Alternate Sourcing – Repair**

Hill AFB – 415 SCMS



AMC/AMSC:	1	C
RMC/RMSC:	1	C
Material:	Normal, heavy duty alternating current 10 HP copper windings	
Dimensions:	35"L X 28.5"W X 35"H X 175 LBS	
Criticality Code:	X	
Drawings Available:	Yes	
Drawing #:	77C718023	
T.O. Available:	Yes	
T.O. #:	31P6-2FPS117-24	
Budget Code:	8	
Drawing Cage Code:	03538	
Mesh File Available:	0	
Next Higher Asmby:	AN/FPS-117/5840-01-241-3226 & 5	



If you would like to participate in the Technical Discussion on **April 27, 2020, at 2:00-3:00PM (CST)** provide the following, NLT **April 23, 2020**

[429SCMS.SASPO.Workflow@us.af.mil](mailto:429SCMS.SASPO.Workflow@us.af.mil)

-Company, -Address, -Name(s), -Email(s), -Phone, and, -Your questions for Engineering.



# Frequency Converter

**Alternate Sourcing – Repair**

Hill AFB – 415 SCMS



<b>MD:</b>	GPS	
<b>TMS:</b>	N/A	
<b>NOUN:</b>	Frequency Converter	
<b>NSN:</b>	5895015517103	
<b>P/N:</b>	RTL-S200001	
<b>Buy Price:</b>	\$17,932.45	
<b>Date Last Procured:</b>	7/1/2007	
<b>Repair Cost:</b>	\$7,091.08	
<b>AAC:</b>	V	
<b>Surplus Available:</b>	0	
<b>QPA/APPL Rate:</b>	4	100
<b>Replacement Rate:</b>	0	

Out Year Requirements: BUY									
<b>FY20:</b>	0	<b>FY21:</b>	0	<b>FY22:</b>	0	<b>FY23:</b>	1	<b>FY24:</b>	0

Out Year Requirements: REPAIR									
<b>FY20:</b>	1	<b>FY21:</b>	0	<b>FY22:</b>	1	<b>FY23:</b>	0	<b>FY24:</b>	1

<b>761:</b>	Unavailable	<b>762:</b>	Available
<b>EDL:</b>	Unavailable	<b>RDL:</b>	Available

## COMMENTS

**Interested vendors should submit a Source Approval Request (SAR)**







# Frequency Multiplier

**Alternate Sourcing – Repair**

Hill AFB – 415 SCMS



<b>MD:</b>	MWD	
<b>TMS:</b>	N/A	
<b>NOUN:</b>	Frequency Multiplier	
<b>NSN:</b>	5895014205841	
<b>P/N:</b>	5583-01 (CAGE 31260)	
<b>Buy Price:</b>	\$13,047.90	
<b>Date Last Procured:</b>	9/1/2001	
<b>Repair Cost:</b>	\$2,676.74	
<b>AAC:</b>	V	
<b>Surplus Available:</b>	0	
<b>QPA/APPL Rate:</b>	2	100
<b>Replacement Rate:</b>	0	

Out Year Requirements: BUY									
<b>FY20:</b>	0	<b>FY21:</b>	0	<b>FY22:</b>	0	<b>FY23:</b>	0	<b>FY24:</b>	0

Out Year Requirements: REPAIR									
<b>FY20:</b>	0	<b>FY21:</b>	0	<b>FY22:</b>	0	<b>FY23:</b>	0	<b>FY24:</b>	0

<b>761:</b>	Available	<b>762:</b>	Available
<b>EDL:</b>	Available	<b>RDL:</b>	Available

## COMMENTS

**Interested vendors should submit a Source Approval Request (SAR)**



# Frequency Multiplier

## Alternate Sourcing – Repair

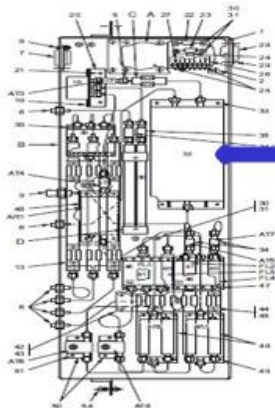
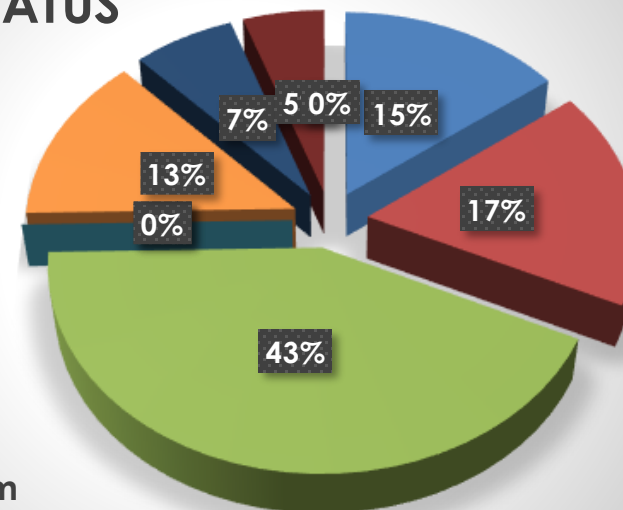
### Hill AFB – 415 SCMS



AMC/AMSC:	2	C
RMC/RMSC:	1	C
Material:	Not available	
Dimensions:	7"L X 1.3"H X 3"W	
Criticality Code:	X	
Drawings Available:	Yes	
Drawing #:	952358, 952358-1	
T.O. Available:	Yes	
T.O. #:	31P6-2FPS123-2	
Budget Code:	8	
Drawing Cage Code:	49956	
Mesh File Available:	0	
Next Higher Asmby:	5895-01-048-2005	

## HEALTH STATUS

- Obsolete
- Sole Source
- Two or More
- Unknown
- Proprietary
- Logistics
- NA
- Build To Print
- Comn Ind Item



Frequency Multiplier

If you would like to participate in the Technical Discussion on

**April 27, 2020, at 2:00-3:00PM (CST)**

provide the following, NLT

**April 23, 2020**

[429SCMS.SASPO.Workflow@us.af.mil](mailto:429SCMS.SASPO.Workflow@us.af.mil)

- Company, -Address, -Name(s), -Email(s), -Phone, and,
- Your questions for Engineering.



# Time Code Generator

**Alternate Sourcing – Repair**

Hill AFB – 415 SCMS



<b>MD:</b>	MWD	
<b>TMS:</b>	N/A	
<b>NOUN:</b>	Time Code Generator	
<b>NSN:</b>	6645014539871	
<b>P/N:</b>	9390-6010OPT38 (CAGE 31160)	
<b>Buy Price:</b>	\$8,687.40	
<b>Date Last Procured:</b>	2/2/2013	
<b>Repair Cost:</b>	\$5,464.80	
<b>AAC:</b>	V	
<b>Surplus Available:</b>	0	
<b>QPA/APPL Rate:</b>	6	100
<b>Replacement Rate:</b>	0	

Out Year Requirements: BUY									
<b>FY20:</b>	0	<b>FY21:</b>	1	<b>FY22:</b>	1	<b>FY23:</b>	2	<b>FY24:</b>	0

Out Year Requirements: REPAIR									
<b>FY20:</b>	1	<b>FY21:</b>	1	<b>FY22:</b>	2	<b>FY23:</b>	0	<b>FY24:</b>	0

<b>761:</b>	Available	<b>762:</b>	Available
<b>EDL:</b>	Unavailable	<b>RDL:</b>	Available

## COMMENTS

**Interested vendors should submit a Source Approval Request (SAR)**



# Time Code Generator

## Alternate Sourcing – Repair

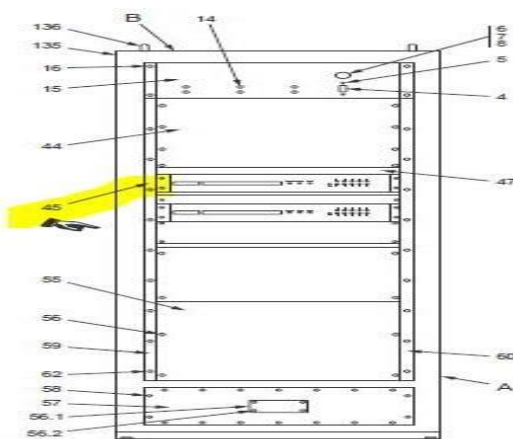
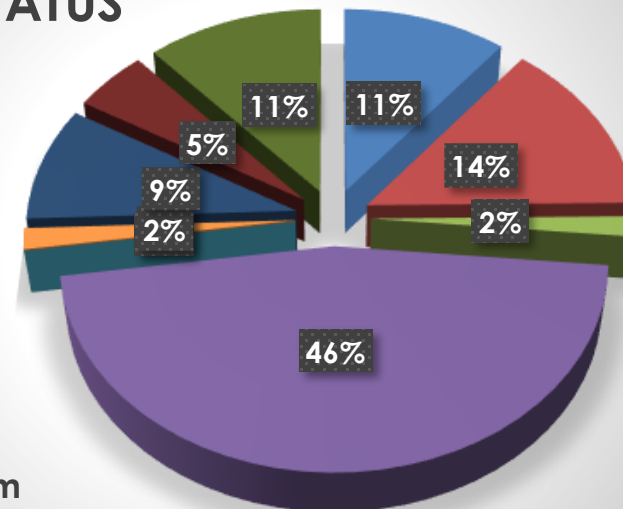
### Hill AFB – 415 SCMS



AMC/AMSC:	3	U
RMC/RMSC:	1	C
Material:	Not available	
Dimensions:	17"L X 3.5"H X 12"W	
Criticality Code:	X	
Drawings Available:	No	
Drawing #:	None	
T.O. Available:	Yes	
T.O. #:	31P6-4-29-8-1; 31P6-2FPS115-24	
Budget Code:	8	
Drawing Cage Code:	0	
Mesh File Available:	0	
Next Higher Asmby:	AN/FPS-132	

## HEALTH STATUS

- Obsolete
- Sole Source
- Two or More
- Unknown
- Proprietary
- Logistics
- NA
- Build To Print
- Comn Ind Item



If you would like to participate in the Technical Discussion on

**April 27, 2020, at 2:00-3:00PM (CST)**

provide the following, NLT

**April 23, 2020**

[429SCMS.SASPO.Workflow@us.af.mil](mailto:429SCMS.SASPO.Workflow@us.af.mil)

-Company, -Address, -Name(s), -Email(s), -Phone, and,  
-Your questions for Engineering.



# Amplifier Assembly

**Alternate Sourcing – Repair**

Hill AFB – 415 SCMS



MD:	SCS	
TMS:	N/A	
NOUN:	Amplifier Assembly	
NSN:	5996014333730	
P/N:	9378602-10	
Buy Price:	\$6,750.77	
Date Last Procured:	4/3/2017	
Repair Cost:	\$4,355.65	
AAC:	C	
Surplus Available:	0	
QPA/APPL Rate:	384	100
Replacement Rate:	0	

Out Year Requirements: BUY									
FY20:	145	FY21:	147	FY22:	148	FY23:	150	FY24:	0

Out Year Requirements: REPAIR									
FY20:	18	FY21:	18	FY22:	18	FY23:	18	FY24:	0

761:	Available	762:	Available
EDL:	Available	RDL:	Available

## COMMENTS

**Interested vendors should submit a Source Approval Request (SAR)**





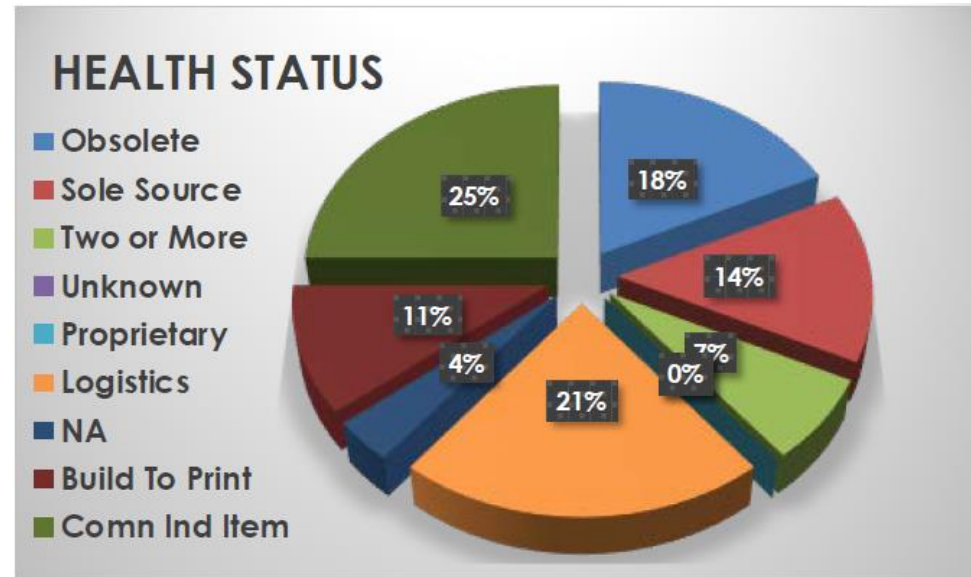
# Amplifier Assembly

## Alternate Sourcing – Repair

### Hill AFB – 415 SCMS



AMC/AMSC:	2	R
RMC/RMSC:	1	C
Material:	Machine screws, Insulated wire, Resistors, Capacitors	
Dimensions:	12.5 in (L) X 12.5 in (W) X 14.5 in (H); 5.00 lb.	
Criticality Code:	X	
Drawings Available:	Yes	
Drawing #:	9378602	
T.O. Available:	No	
T.O. #:	31P1-2FPQ16-2-1	
Budget Code:	8	
Drawing Cage Code:	98747	
Mesh File Available:	0	
Next Higher Asmbly:	AN/FSQ-16, PARCS	



If you would like to participate in the Technical Discussion on

**April 27, 2020, at 2:00-3:00PM (CST)**

provide the following, NLT

**April 23, 2020**

[429SCMS.SASPO.Workflow@us.af.mil](mailto:429SCMS.SASPO.Workflow@us.af.mil)

- Company, -Address, -Name(s), -Email(s), -Phone, and,
- Your questions for Engineering.



# Amplifier Assembly

**Alternate Sourcing – Repair**

Hill AFB – 415 SCMS



MD:	SCS	
TMS:	N/A	
NOUN:	Pulsed Amplifier (442 MHz)	
NSN:	5996014544605	
P/N:	DB060685-2 - (9477861-01)	
Buy Price:	\$4,291.38	
Date Last Procured:	10/3/2007	
Repair Cost:	\$531.30	
AAC:	C	
Surplus Available:	0	
QPA/APPL Rate:	5184	100
Replacement Rate:	0	

Out Year Requirements: BUY									
FY20:	145	FY21:	147	FY22:	148	FY23:	150	FY24:	0

Out Year Requirements: REPAIR									
FY20:	18	FY21:	18	FY22:	18	FY23:	18	FY24:	0

761:	Available	762:	Available
EDL:	Available	RDL:	Available

## COMMENTS

**Interested vendors should submit a Source Approval Request (SAR)**



# Amplifier Assembly

**Alternate Sourcing – Repair**

Hill AFB – 415 SCMS



AMC/AMSC:	3	V
RMC/RMSC:	1	C
Material:	Various electronic materials, Amplifies input signals	
Dimensions:	12.3 L X 7.0 W X 1.5" H X 4.0 LB	
Criticality Code:	Y	
Drawings Available:	Yes	
Drawing #:	9477861 - 9477860	
T.O. Available:	Yes	
T.O. #:	31P1-2FPS85-22, 31P12FPS85-24	
Budget Code:	8	
Drawing Cage Code:	97849	
Mesh File Available:	0	
Next Higher Asmbly:	5840004589195ZA	

AVCOM Health Chart Not Available

If you would like to participate in the Technical Discussion on

**April 27, 2020, at 2:00-3:00PM (CST)**

provide the following, NLT

**April 23, 2020**

[429SCMS.SASPO.Workflow@us.af.mil](mailto:429SCMS.SASPO.Workflow@us.af.mil)

- Company, -Address, -Name(s), -Email(s), -Phone, and,
- Your questions for Engineering.



# Camera Cooling Compressor

**Alternate Sourcing – Repair**

Hill AFB – 415 SCMS



<b>MD:</b>	SCS	
<b>TMS:</b>	N/A	
<b>NOUN:</b>	Camera Cooling Compressor	
<b>NSN:</b>	4130015056445	
<b>P/N:</b>	T1104-11-000-14 (CAGE 4H4W8)	
<b>Buy Price:</b>	\$6,241.04	
<b>Date Last Procured:</b>	4/30/2013	
<b>Repair Cost:</b>	\$9,108.00	
<b>AAC:</b>	C	
<b>Surplus Available:</b>	0	
<b>QPA/APPL Rate:</b>	3	100
<b>Replacement Rate:</b>	0	

Out Year Requirements: BUY									
<b>FY20:</b>	0	<b>FY21:</b>	0	<b>FY22:</b>	0	<b>FY23:</b>	0	<b>FY24:</b>	0

Out Year Requirements: REPAIR									
<b>FY20:</b>	1	<b>FY21:</b>	1	<b>FY22:</b>	1	<b>FY23:</b>	1	<b>FY24:</b>	1

<b>761:</b>	Available	<b>762:</b>	Available
<b>EDL:</b>	Unavailable	<b>RDL:</b>	Available

## COMMENTS

**Interested vendors should submit a Source Approval Request (SAR)**



# Camera Cooling Compressor

**Alternate Sourcing – Repair**

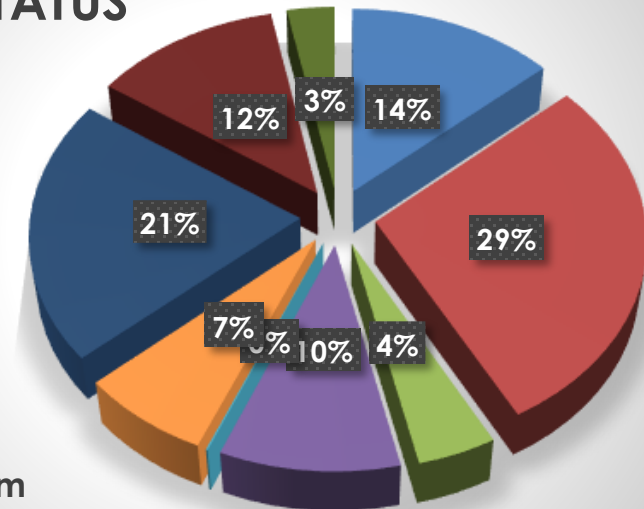
Hill AFB – 415 SCMS



AMC/AMSC:	2	Z
RMC/RMSC:	1	C
Material:	Stainless Steel	
Dimensions:	5" L X 8"W X 13"H X 71 LBS	
Criticality Code:	X	
Drawings Available:	No	
Drawing #:	None	
T.O. Available:	Yes	
T.O. #:	31S1-2FSD3-52	
Budget Code:	8	
Drawing Cage Code:	0	
Mesh File Available:	0	
Next Higher Asmbly:	Ground Based Electro Optical Dee	

## HEALTH STATUS

- Obsolete
- Sole Source
- Two or More
- Unknown
- Proprietary
- Logistics
- NA
- Build To Print
- Comn Ind Item



If you would like to participate in the Technical Discussion on

**April 27, 2020, at 2:00-3:00PM (CST)**

provide the following, NLT

**April 23, 2020**

[429SCMS.SASPO.Workflow@us.af.mil](mailto:429SCMS.SASPO.Workflow@us.af.mil)

- Company, -Address, -Name(s), -Email(s), -Phone, and,
- Your questions for Engineering.





# Power Supply Assembly

**Alternate Sourcing – Repair**

Hill AFB – 415 SCMS



<b>MD:</b>	SCS	
<b>TMS:</b>	N/A	
<b>NOUN:</b>	Power Supply Assembly	
<b>NSN:</b>	6130015040744	
<b>P/N:</b>	216714	
<b>Buy Price:</b>	\$12,781.31	
<b>Date Last Procured:</b>	7/1/2003	
<b>Repair Cost:</b>	\$2,014.95	
<b>AAC:</b>	V	
<b>Surplus Available:</b>	2	
<b>QPA/APPL Rate:</b>	3	100
<b>Replacement Rate:</b>	0	

Out Year Requirements: BUY									
<b>FY20:</b>	0	<b>FY21:</b>	0	<b>FY22:</b>	0	<b>FY23:</b>	0	<b>FY24:</b>	0

Out Year Requirements: REPAIR									
<b>FY20:</b>	4	<b>FY21:</b>	4	<b>FY22:</b>	4	<b>FY23:</b>	4	<b>FY24:</b>	4

<b>761:</b>	Unavailable	<b>762:</b>	Available
<b>EDL:</b>	Unavailable	<b>RDL:</b>	Available

## COMMENTS

**Interested vendors should submit a Source Approval Request (SAR)**



# Power Supply Assembly

## Alternate Sourcing – Repair

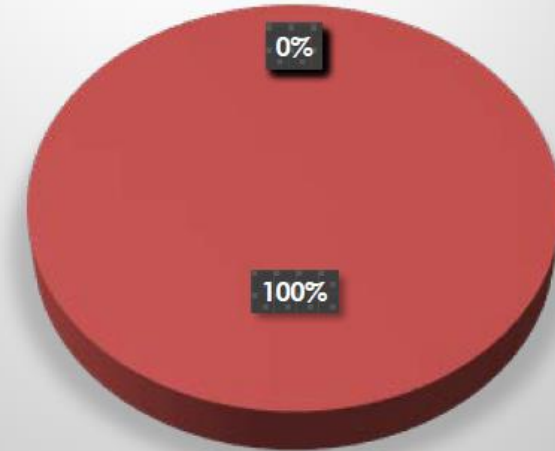
### Hill AFB – 415 SCMS



AMC/AMSC:	N/A	N/A
RMC/RMSC:	1	C
Material:	Rectifiers, Semiconductor diode, Capacitors, Resistors, Wires	
Dimensions:	6.0" L X 6.0" W X 4.0" H; 5.0 Lb	
Criticality Code:	X	
Drawings Available:	Yes	
Drawing #:	PL216714	
T.O. Available:	Yes	
T.O. #:	31S1-2FSQ114-11	
Budget Code:	8	
Drawing Cage Code:	ODKS7	
Mesh File Available:	0	
Next Higher Asmbly:	AN/FSQ-114	

### HEALTH STATUS

- Obsolete
- Sole Source
- Two or More
- Unknown
- Proprietary
- Logistics
- NA
- Build To Print
- Comn Ind Item



If you would like to participate in the Technical Discussion on

**April 27, 2020, at 2:00-3:00PM (CST)**

provide the following, NLT

**April 23, 2020**

[429SCMS.SASPO.Workflow@us.af.mil](mailto:429SCMS.SASPO.Workflow@us.af.mil)

- Company, -Address, -Name(s), -Email(s), -Phone, and,
- Your questions for Engineering.



# RF Variable Attenuator

**Alternate Sourcing – Repair**

Hill AFB – 415 SCMS



<b>MD:</b>	SCS	
<b>TMS:</b>	N/A	
<b>NOUN:</b>	RF Variable Attenuator	
<b>NSN:</b>	5985014117696	
<b>P/N:</b>	11320006-1 (CAGE 17773)	
<b>Buy Price:</b>	\$729.00	
<b>Date Last Procured:</b>	10/1/1997	
<b>Repair Cost:</b>	\$4,999.28	
<b>AAC:</b>	C	
<b>Surplus Available:</b>	0	
<b>QPA/APPL Rate:</b>	256	100
<b>Replacement Rate:</b>	0	

Out Year Requirements: BUY									
<b>FY20:</b>	1	<b>FY21:</b>	1	<b>FY22:</b>	2	<b>FY23:</b>	2	<b>FY24:</b>	0

Out Year Requirements: REPAIR									
<b>FY20:</b>	1	<b>FY21:</b>	1	<b>FY22:</b>	2	<b>FY23:</b>	0	<b>FY24:</b>	0

<b>761:</b>	Available	<b>762:</b>	Available
<b>EDL:</b>	Available	<b>RDL:</b>	Available

## COMMENTS

**Interested vendors should submit a Source Approval Request (SAR)**



# RF Variable Attenuator

## Alternate Sourcing – Repair

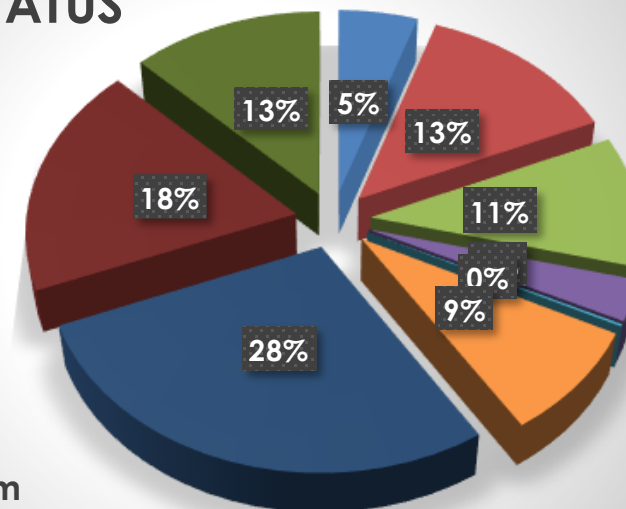
Hill AFB – 415 SCMS



AMC/AMSC:	2	C
RMC/RMSC:	1	C
Material:	Not available	
Dimensions:	Not available	
Criticality Code:	X	
Drawings Available:	Yes	
Drawing #:	113200006	
T.O. Available:	No	
T.O. #:	None	
Budget Code:	8	
Drawing Cage Code:	17773	
Mesh File Available:	0	
Next Higher Asmbly:	PARCS Radar System AN/FPQ-16, 1	

### HEALTH STATUS

- Obsolete
- Sole Source
- Two or More
- Unknown
- Proprietary
- Logistics
- NA
- Build To Print
- Comn Ind Item



If you would like to participate in the Technical Discussion on

**April 27, 2020, at 2:00-3:00PM (CST)**

provide the following, NLT

**April 23, 2020**

[429SCMS.SASPO.Workflow@us.af.mil](mailto:429SCMS.SASPO.Workflow@us.af.mil)

- Company, -Address, -Name(s), -Email(s), -Phone, and,
- Your questions for Engineering.



# Telescope Sub Assembly

**Alternate Sourcing – Repair**

Hill AFB – 415 SCMS



<b>MD:</b>	SCS	
<b>TMS:</b>	N/A	
<b>NOUN:</b>	Telescope Sub-Assembly - (Drive, Focusing Assembly)	
<b>NSN:</b>	6650011317233	
<b>P/N:</b>	501335-1	
<b>Buy Price:</b>	\$56,119.92	
<b>Date Last Procured:</b>	7/20/2012	
<b>Repair Cost:</b>	\$14,029.98	
<b>AAC:</b>	C	
<b>Surplus Available:</b>	0	
<b>QPA/APPL Rate:</b>	3	100
<b>Replacement Rate:</b>	0	

Out Year Requirements: BUY									
<b>FY20:</b>	1	<b>FY21:</b>	1	<b>FY22:</b>	2	<b>FY23:</b>	2	<b>FY24:</b>	0

Out Year Requirements: REPAIR									
<b>FY20:</b>	1	<b>FY21:</b>	1	<b>FY22:</b>	2	<b>FY23:</b>	0	<b>FY24:</b>	0

<b>761:</b>	Available	<b>762:</b>	Available
<b>EDL:</b>	Unavailable	<b>RDL:</b>	Available

## COMMENTS

**Interested vendors should submit a Source Approval Request (SAR)**





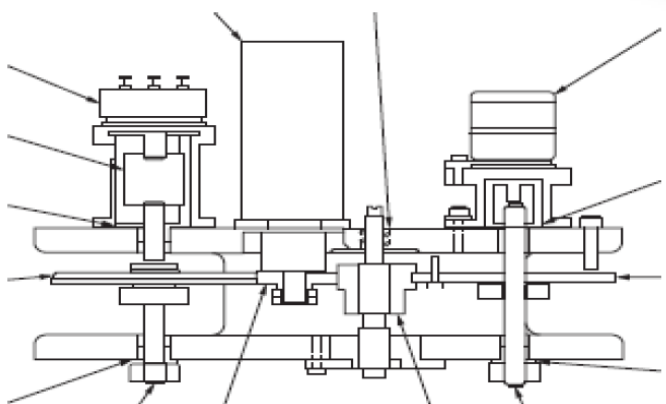
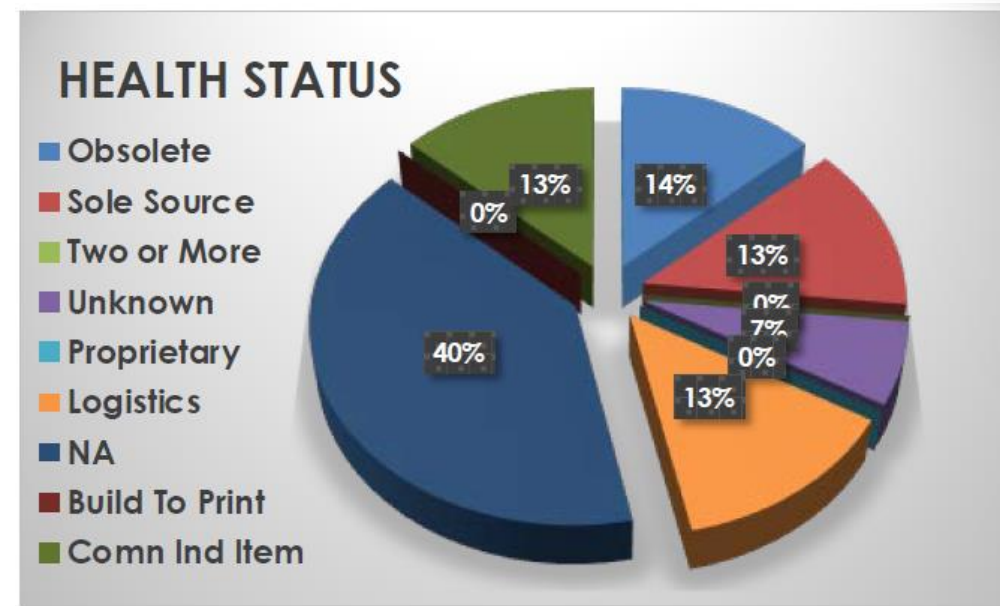
# Telescope Sub Assembly

## Alternate Sourcing – Repair

### Hill AFB – 415 SCMS



AMC/AMSC:	3	P
RMC/RMSC:	1	C
Material:	Unknown	
Dimensions:	L 24" X W 18" X 15.5"; 15.0 LB	
Criticality Code:	X	
Drawings Available:	Yes	
Drawing #:	501335	
T.O. Available:	Yes	
T.O. #:	31S1-2FSQ114-181; 31S1-2FSD3-62	
Budget Code:	8	
Drawing Cage Code:	47T36	
Mesh File Available:	0	
Next Higher Asmby:	AN/FSQ-114	



If you would like to participate in the Technical Discussion on  
**April 27, 2020, at 2:00-3:00PM (CST)**  
 provide the following, NLT  
**April 23, 2020**  
[429SCMS.SASPO.Workflow@us.af.mil](mailto:429SCMS.SASPO.Workflow@us.af.mil)  
 -Company, -Address, -Name(s), -Email(s), -Phone, and,  
 -Your questions for Engineering.



# Electrical Power Strip

**Alternate Sourcing – Repair**

Hill AFB – 415 SCMS



<b>MD:</b>	GPS	
<b>TMS:</b>	N/A	
<b>NOUN:</b>	Electrical Power Strip	
<b>NSN:</b>	6150015510754	
<b>P/N:</b>	PTXL-V016-1-05 (CAGE 049V0)	
<b>Buy Price:</b>	\$1,205.00	
<b>Date Last Procured:</b>	6/1/2007	
<b>Repair Cost:</b>	\$1,052.48	
<b>AAC:</b>	V	
<b>Surplus Available:</b>	0	
<b>QPA/APPL Rate:</b>	2	100
<b>Replacement Rate:</b>	0	

Out Year Requirements: BUY									
<b>FY20:</b>	0	<b>FY21:</b>	0	<b>FY22:</b>	0	<b>FY23:</b>	0	<b>FY24:</b>	0

Out Year Requirements: REPAIR									
<b>FY20:</b>	0	<b>FY21:</b>	0	<b>FY22:</b>	0	<b>FY23:</b>	0	<b>FY24:</b>	0

<b>761:</b>	Unavailable	<b>762:</b>	Available
<b>EDL:</b>	Unavailable	<b>RDL:</b>	Available

## COMMENTS

**Interested vendors should submit a Source Approval Request (SAR)**



# Electrical Power Strip

**Alternate Sourcing – Repair**

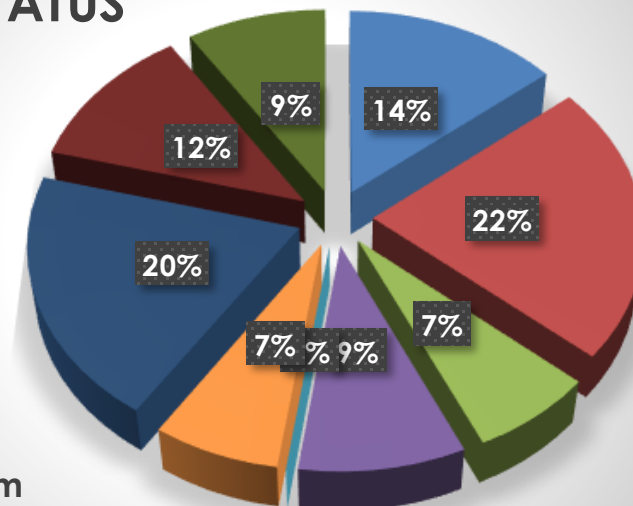
Hill AFB – 415 SCMS



AMC/AMSC:	N/A	N/A
RMC/RMSC:	1	C
Material:	Metal with copper	
Dimensions:	69"L X 7"W X 3"H X 17.3 LBS	
Criticality Code:	X	
Drawings Available:	No	
Drawing #:	RTL-S200018	
T.O. Available:	No	
T.O. #:	31R2-2FRC178-4	
Budget Code:	8	
Drawing Cage Code:	09SP4	
Mesh File Available:	0	
Next Higher Asmbly:	Ground Antenna Station (Cape Cc	

## HEALTH STATUS

- Obsolete
- Sole Source
- Two or More
- Unknown
- Proprietary
- Logistics
- NA
- Build To Print
- Comn Ind Item



If you would like to participate in the Technical Discussion on

**April 27, 2020, at 2:00-3:00PM (CST)**

provide the following, NLT

**April 23, 2020**

[429SCMS.SASPO.Workflow@us.af.mil](mailto:429SCMS.SASPO.Workflow@us.af.mil)

- Company, -Address, -Name(s), -Email(s), -Phone, and,
- Your questions for Engineering.