



Supplying Warfighter Dominance



USAF Aircraft



Supplying Warfighter Dominance



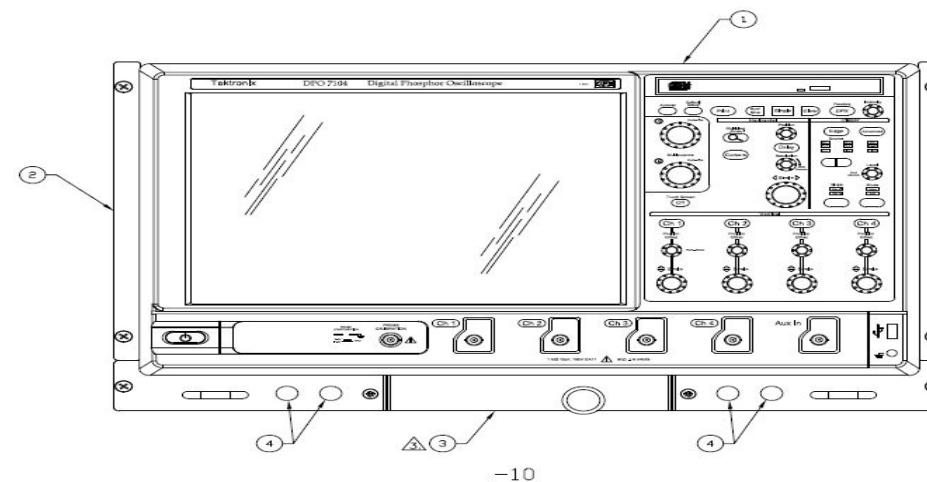
Oscilloscope Core

Alternate Source – New Buy

Robins AFB - LCMC



MD:	Multiple	
TMS:	0	
Noun:	Oscilloscope Core	
NSN:	6625016170411	
P/N:	DP07104C	
Buy Price:	\$20,957.18	
Date Last Procured:	9/23/2013	
Repair Cost:	\$12,144.00	
AAC:	C	
Surplus Available:	0	
QPA/APPL Rate:	1	100%
Replacement Rate:	0	



Out Year Requirements: BUY									
FY20:	8	FY21:	9	FY22:	6	FY23:	0	FY24:	0

Out Year Requirements: REPAIR									
FY20:	7	FY21:	9	FY22:	7	FY23:	9	FY24:	9

761:	Available
EDL:	Unavailable

762:	Unavailable
RDL:	Unavailable

- NOTES**
- Urgent need for quantity 7
 - Commercial Off-The-Shelf Item
 - Function: A2A6 real-time digital phosphor oscilloscope features signal acquisition and analysis, and debugging tools. The oscilloscope is a 4-channel, 1GHz bandwidth with up to 10 gigasample per second real-time sample rate on all 4 channels.
 - Current Type: AC and DC



Oscilloscope Core

Alternate Source – New Buy

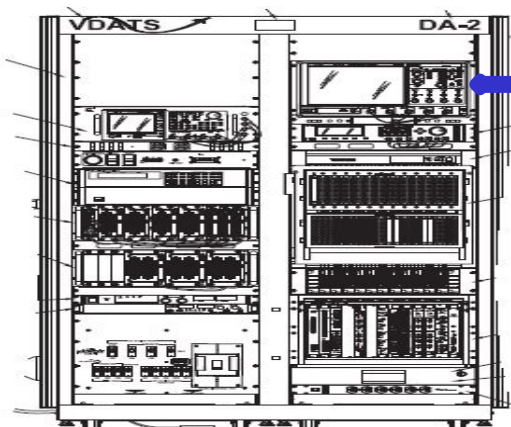
Robins AFB - LCMC



AMC/AMSC:	3	Z
RMC/RMSC:	N/A	N/A
Material:	Aluminum, Electronic Components, Plastic	
Dimensions:	9.12"L X 19"W X 12.25"H X 32 LBS	
Criticality Code:	Y	
Drawings Available:	Yes	
Drawing #:	200625974	
T.O. Available:	Yes	
T.O. #:	51C3-1-144-3	
Budget Code:	8	
Drawing Cage Code:	98752	
Mesh File Available:	0	
Next Higher Asmly:	VDATS DA1&DA2/4920-01-663-3117/3118	

Additional Notes

- **Mounting:** Rack
- **Screen Size:** 12.1 Inch Diagonal
- **Features:** 1.0 ghz analog bandwidth vertical system, 50 picosec to 1000 sec time base range, 5 nanosec to 250 sec delay time range, 4 channel acquisition system capable of 20 gigasamples per sec for 1 ch, 10 gigasample per sec for 2 ch, 5 gigasample per sec for 3 and 4 ch, a event and delayed B event trigger in auto, normal, and single modes.
- Repairs done at Redstone Repair Facility



Oscilloscope Core

If you would like to participate in the Technical Discussion on **19 November 2019, at 0900 – 1000 (CST)**, provide the following information NLT 14 November 2019

429SCMS.SASPO.Workflow@us.af.mil

- Company, address, name(s), email(s), phone
- Your questions for engineering



Microwave Counter

Alternate Source – New Buy

Robins AFB - LCMC



MD:	0	
TMS:	N/A	
Noun:	Microwave Counter	
NSN:	6625014858899	
P/N:	53151A	
Buy Price:	\$9,964.30	
Date Last Procured:	9/25/2013	
Repair Cost:	\$20,146.00	
AAC:	C	
Surplus Available:	0	
QPA/APPL Rate:	1	100%
Replacement Rate:	0	



Out Year Requirements: BUY									
FY20:	0	FY21:	1	FY22:	2	FY23:	0	FY24:	0

Out Year Requirements: REPAIR									
FY20:	0	FY21:	0	FY22:	0	FY23:	0	FY24:	0

761:	Available
EDL:	Unavailable

762:	Available
RDL:	Available

- NOTES**
- Commercial Off-The-Shelf Item
 - Function: The Microwave Counter is an extra-wideband input that covers the RF and microwave spectrum from 50 MHz to 26.5 GHz. Frequency and power are measured simultaneously with this same input
 - Current: AC and DC
 - Frequency Rating: 50.0 MHz Min / 26.5 GHz Max



Microwave Counter

Alternate Source – New Buy

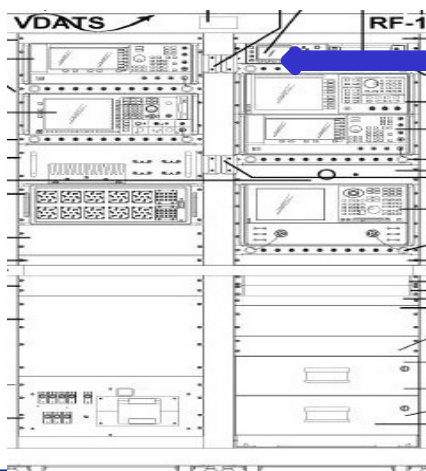
Robins AFB - LCMC



AMC/AMSC:	3	Z
RMC/RMSC:	3	Z
Material:	Plastic, Aluminum, Electronic Components	
Dimensions:	11.81"L X 8.39"W X 3.48"H X 8.8 LBS	
Criticality Code:	X	
Drawings Available:	Yes	
Drawing #:	200625776	
T.O. Available:	Yes	
T.O. #:	51C3-1-143-3	
Budget Code:	8	
Drawing Cage Code:	98752	
Mesh File Available:	0	
Next Higher Asmbly:	VDATS RF-1/4920-01-553-1535	

ADDITIONAL NOTES

- **Measurement Type:** Frequency
- **Special Features:** Backlit LCD display ensures visibility in all environments at distance exceeding 15 ft; replaceable batteries provide at least 2.5 hrs of continuous operation; or powered by an external 11-18 vdc source; frequency range 10 hz to 125 mhz normal mode; 10 hz to 50 khz low pass filter enabled Channel 1, 50 mhz to 26.5 ghz channel 2
- Repairs are accomplished at Redstone Repair Facility



Microwave Counter

If you would like to participate in the Technical Discussion on **19 November 2019, at 0900 – 1000 (CST)**, provide the following information NLT 14 November 2019

429SCMS.SASPO.Workflow@us.af.mil

- Company, address, name(s), email(s), phone
- Your questions for engineering



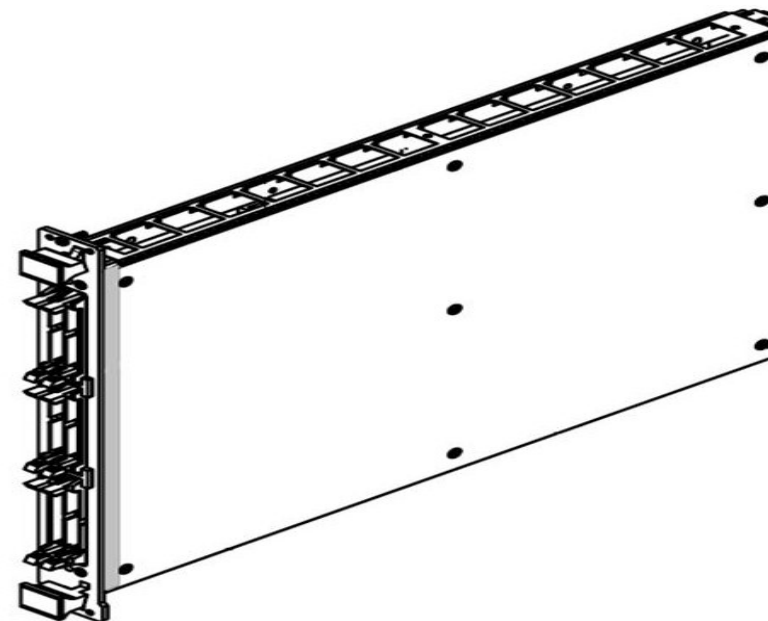
Electronic Plug-In Unit

Reverse Engineering

Robins AFB - LCMC



MD:	Multiple	
TMS:	N/A	
Noun:	Electronic Plug-In Unit	
NSN:	6625015866691	
P/N:	M925-00 (CAGE 23350)	
Buy Price:	\$5,954.04	
Date Last Procured:	9/10/2010	
Repair Cost:	\$10,120.00	
AAC:	V	
Surplus Available:	0	
QPA/APPL Rate:	0	100%
Replacement Rate:	0	



Out Year Requirements: BUY									
FY20:	80	FY21:	90	FY22:	60	FY23:	0	FY24:	0

Out Year Requirements: REPAIR									
FY20:	14	FY21:	18	FY22:	27	FY23:	21	FY24:	28

761:	Available
EDL:	Available

762:	Available
RDL:	Available

- NOTES**
- Government does not have technical data for this item
 - Commercial Off-The-Shelf Item
 - Unit must meet 81349-MIL-PRF-28800 specification
 - Number of channels per channel card: 48
 - Number of Digital Connect Relays: One per channel
 - Driver Output Impedance: 50 Ohm or 12 Ohm, Selectable



Electronic Plug-In Unit

Reverse Engineering
Robins AFB - LCMC



AMC/AMSC:	2	G
RMC/RMSC:	3	Z
Material:	Not Available	
Dimensions:	Not Available	
Criticality Code:	X	
Drawings Available:	Yes	
Drawing #:	200625917	
T.O. Available:	Yes	
T.O. #:	51C3-1-144-3	
Budget Code:	8	
Drawing Cage Code:	98752	
Mesh File Available:	0	
Next Higher Asmbly:	VDATS DA-1,DA-2/4920-01-553-0693 &-15	

ADDITIONAL NOTES

- Timing Sets (TSETS): 256
- Weight of Card: Approx. 5 LBS
- Repairs currently being accomplished at Redstone Repair Facility
- AMC/AMSC Code in process of change to read 3/Z

If you would like to participate in the Technical Discussion on **19 November 2019, at 0900 – 1000 (CST)**, provide the following information NLT 14 November 2019

429SCMS.SASPO.Workflow@us.af.mil

- Company, address, name(s), email(s), phone
- Your questions for engineering



E-3 AWACS



Supplying Warfighter Dominance



Fuel Selector Rotary Switch

Reverse Engineering

Tinker AFB - LCMC



MD:	E-3, E-8	
TMS:	N/A	
Noun:	Fuel Selector Rotary Switch	
NSN:	5930000534757	
P/N:	9S5B	
Buy Price:	\$12,616.73	
Date Last Procured:	NA	
Repair Cost:	NA	
AAC:	Z	
Surplus Available:	2	
QPA/APPL Rate:	1	100%
Replacement Rate:	0	



Out Year Requirements: BUY									
FY20	3	FY21	3	FY22	3	FY23	3	FY24	3

Out Year Requirements: REPAIR									
FY20	0	FY21	0	FY22	0	FY23	0	FY24	0

761:	Unavailable
EDL:	Unavailable

762:	Unavailable
RDL:	Unavailable

NOTES

- E-3 SPO has contacted OEM multiple times (latest attempt on 7/24/2019, uninterested in selling parts or data rights, stating tooling and processes are obsolete
- AMSC code change in process, no data available
- Picture is a like item, used by the Navy

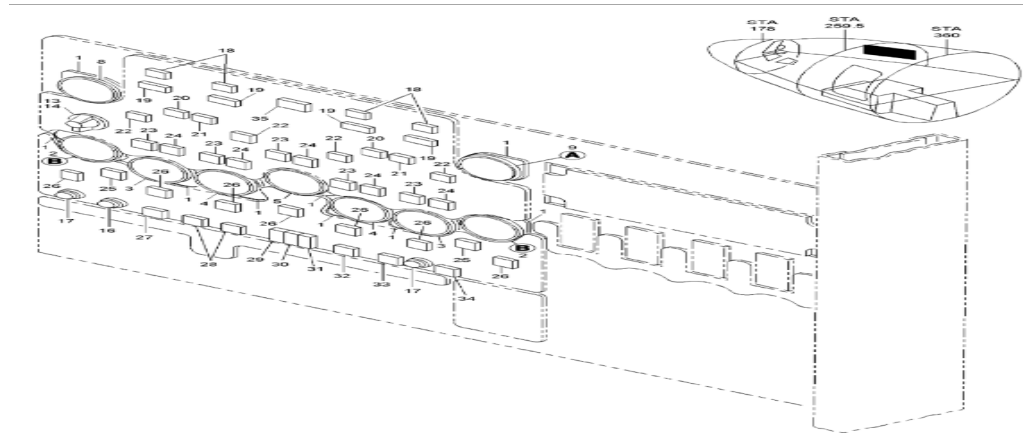
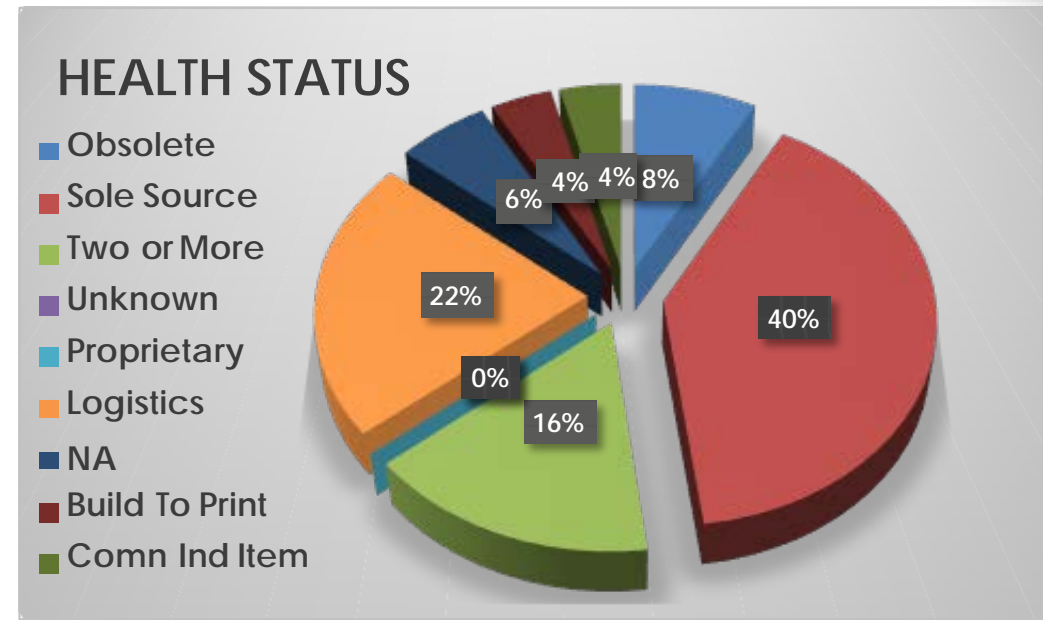


Fuel Selector Rotary Switch

Reverse Engineering
Tinker AFB - LCMC



AMC/AMSC:	3	C
RMC/RMSC:	N/A	N/A
Material:	Wafer	
Dimensions:	2.562"L X 1.500" diameter	
Criticality Code:	X	
Drawings Available:	No	
Drawing #:	9S5B	
T.O. Available:	No	
T.O. #:	1E-3A-4-1-1	
Budget Code:	9	
Drawing Cage Code:	50027	
Mesh File Available:	0	
Next Higher Asmby:	Electronic Ctrl Panel, 1680-01-479-6646	



If you would like to participate in the Technical Discussion on **19 November 2019, at 1000-1030 (CST)**, provide the following information NLT 14 November 2019
429SCMS.SASPO.Workflow@us.af.mil

- Company, address, name(s), email(s), phone
- Your questions for engineering



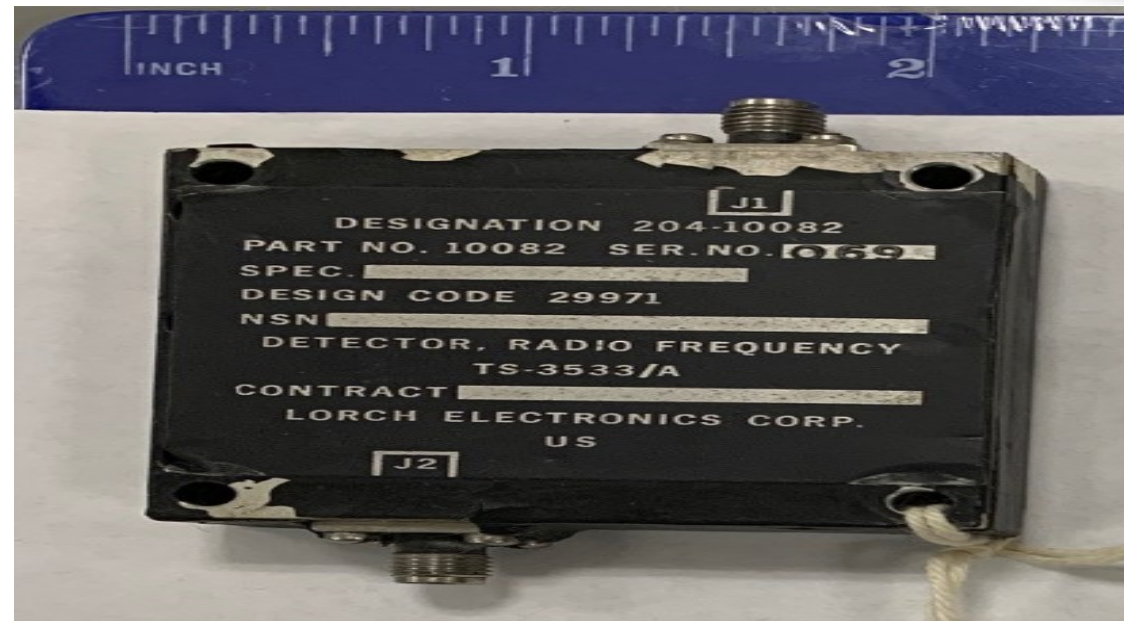
Radio Frequency (RF) Detector

Reverse Engineering

Tinker AFB - LCMC



MD:	E-3	
TMS:	N/A	
Noun:	Radio Frequency (RF) Detector	
NSN:	5895010116784	
P/N:	10082 (CAGE 29971)	
Buy Price:	\$2,491.55	
Date Last Procured:	1/1/2003	
Repair Cost:	N/A	
AAC:	X	
Surplus Available:	0	
QPA/APPL Rate:	2	100%
Replacement Rate:	0	



Out Year Requirements: BUY

FY20	6	FY21	6	FY22	6	FY23	6	FY24	6
------	---	------	---	------	---	------	---	------	---

Out Year Requirements: REPAIR

FY20	0	FY21	0	FY22	0	FY23	0	FY24	0
------	---	------	---	------	---	------	---	------	---

761:	Available
EDL:	Unavailable

762:	Unavailable
RDL:	Unavailable

- NOTES**
- Proprietary data rights claims by manufacturer. Government does not have the rights to release or sell the data.
 - Item supports FMS customers
 - Depot cannibalizing parts from incoming aircraft



Radio Frequency (RF) Detector

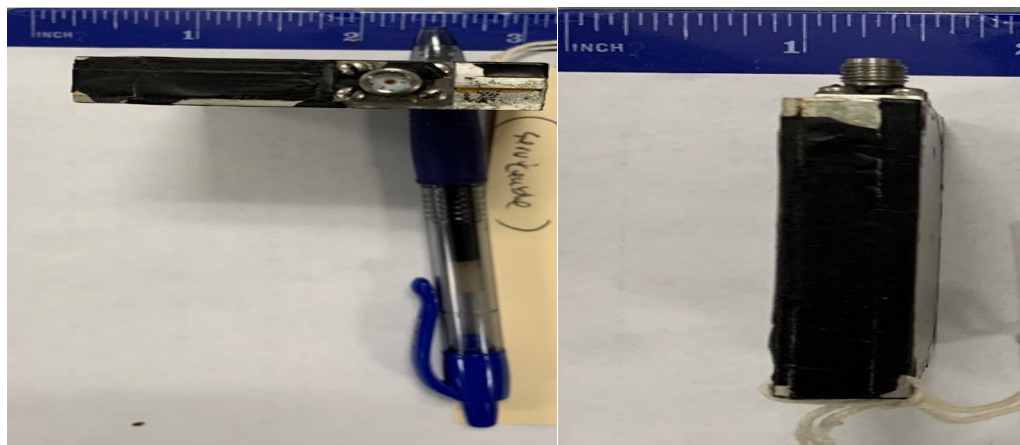
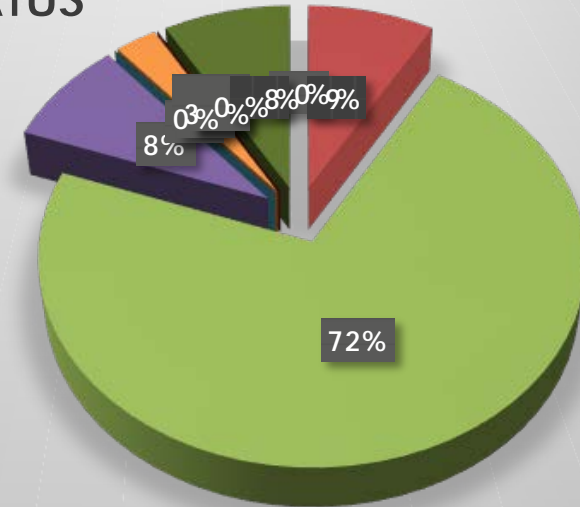
Reverse Engineering
Tinker AFB - LCMC



AMC/AMSC:	3	P
RMC/RMSC:	N/A	N/A
Material:	Not available	
Dimensions:	3.010" L X 0.440" H X 2"W	
Criticality Code:	X	
Drawings Available:	Yes	
Drawing #:	204-19453 (SCD)	
T.O. Available:	No	
T.O. #:	1E-3A-4-1-1; 1E-3A-43-2-93-6	
Budget Code:	9	
Drawing Cage Code:	81205	
Mesh File Available:	0	
Next Higher Asmbly:	0	

HEALTH STATUS

- Obsolete
- Sole Source
- Two or More
- Unknown
- Proprietary
- Logistics
- NA
- Build To Print
- Comn Ind Item



If you would like to participate in the Technical Discussion on **19 November 2019, at 1030 – 1130 (CST)**, provide the following information NLT 14 November 2019
429SCMS.SASPO.Workflow@us.af.mil

- Company, address, name(s), email(s), phone
- Your questions for engineering



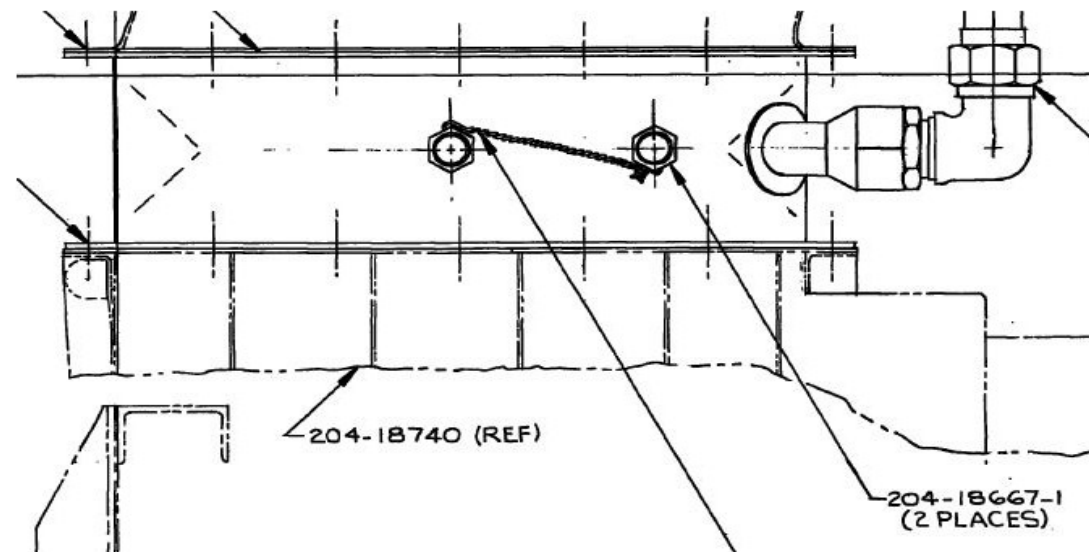
Thermal Pressure Switch

Alternate Source – New Buy

Tinker AFB - LCMC



MD:	E-3	
TMS:	N/A	
Noun:	Thermal Pressure Switch	
NSN:	5930010266950	
P/N:	975-0279-006 (CAGE 97896)	
Buy Price:	\$3,055.03	
Date Last Procured:	1/1/2003	
Repair Cost:	N/A	
AAC:	Z	
Surplus Available:	1	
QPA/APPL Rate:	2	100%
Replacement Rate:	0	



Out Year Requirements: BUY									
FY20	3	FY21	3	FY22	3	FY23	3	FY24	3

Out Year Requirements: REPAIR									
FY20	0	FY21	0	FY22	0	FY23	0	FY24	0

761:	Available
EDL:	Unavailable

762:	Unavailable
RDL:	Unavailable

NOTES

- Interested vendors should submit a Source Approval Request (SAR)
- Original Equipment Manufacturer (OEM) No Bid



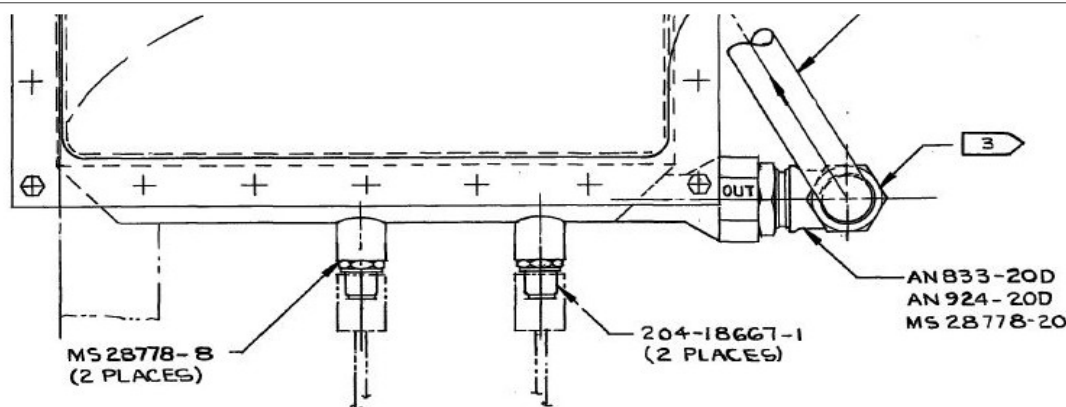
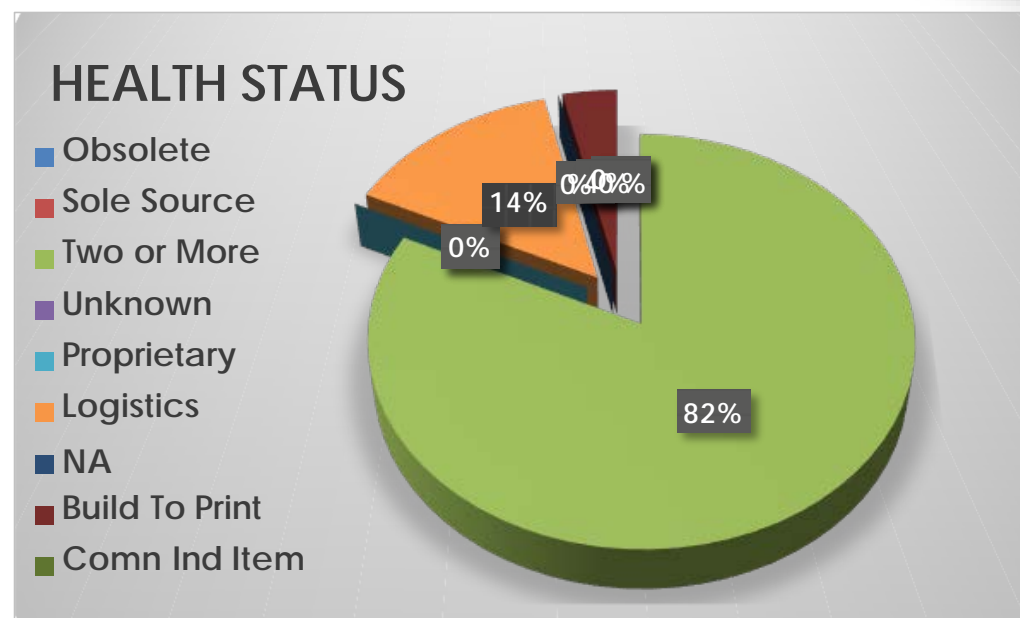
Thermal Pressure Switch

Alternate Source – New Buy

Tinker AFB - LCMC



AMC/AMSC:	1	C
RMC/RMSC:	N/A	N/A
Material:	Not available	
Dimensions:	Gage, Flange, Increase, 300 LBS per square inch gage; 1 pole, single throw,	
Criticality Code:	X	
Drawings Available:	Yes	
Drawing #:	204-18667	
T.O. Available:	No	
T.O. #:	1E-3A-4-1-1, 1E-3A-2-21	
Budget Code:	9	
Drawing Cage Code:	81205	
Mesh File Available:	0	
Next Higher Asmby:	0	



If you would like to participate in the Technical Discussion on **19 November 2019, at 1030 – 1100 (CST)**, provide the following information NLT 14 November 2019
429SCMS.SASPO.Workflow@us.af.mil

- Company, address, name(s), email(s), phone
- Your questions for engineering



Joint Threat Emitter



Supplying Warfighter Dominance



Air Dryer Unit

Alternate Source – Repair

Hill AFB - 415 SCMS



MD:	Joint Threat Emitter	
TMS:	N/A	
Noun:	Air Dryer Unit	
NSN:	4440015989067	
P/N:	T3512-0101 (CAGE 98437)	
Buy Price:	\$98,000.00	
Date Last Procured:	9/30/2011	
Repair Cost:	\$30,107.00	
AAC:	C	
Surplus Available:	0	
QPA/APPL Rate:	1	100%
Replacement Rate:	0	



Out Year Requirements: BUY									
FY20:	0	FY21:	0	FY22:	0	FY23:	0	FY24:	0

Out Year Requirements: REPAIR									
FY20:	5	FY21:	5	FY22:	5	FY23:	5	FY24:	5

761:	Unavailable
EDL:	Unavailable

762:	Available
RDL:	Available

NOTES

- Interested vendors should submit a Source Approval Request (SAR)



Air Dryer Unit

Alternate Source – Repair

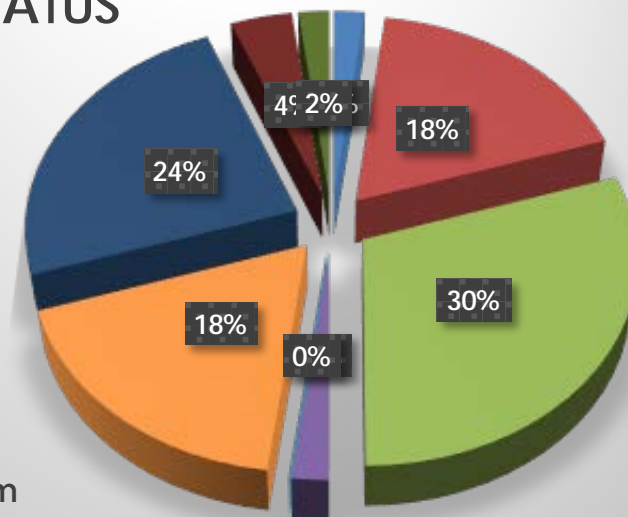
Hill AFB - 415 SCMS



AMC/AMSC:	N/A	N/A
RMC/RMSC:	1	C
Material:	Not Available	
Dimensions:	19" H X 26.7"W X 25.7Deep	
Criticality Code:	X	
Drawings Available:	Yes	
Drawing #:	A2093-000004	
T.O. Available:	No	
T.O. #:	43D7-19-8-4	
Budget Code:	8	
Drawing Cage Code:	1L4J7	
Mesh File Available:	0	
Next Higher Asmby:	Electronic Warfare Training Set (AN/TSQ-T	

HEALTH STATUS

- Obsolete
- Sole Source
- Two or More
- Unknown
- Proprietary
- Logistics
- NA
- Build To Print
- Comn Ind Item



If you would like to participate in the Technical Discussion on **20 November 2019, at 9:00AM – 10:00AM (CST)**, provide the following information NLT 14 November 2019 429SCMS.SASPO.Workflow@us.af.mil

- Company, address, name(s), email(s), phone
- Your questions for engineering



Digital Computer System

Alternate Source – Repair

Hill AFB - 415 SCMS



MD:	Joint Threat Emitter	
TMS:	N/A	
Noun:	Digital Computer System	
NSN:	7010016610134	
P/N:	04142801	
Buy Price:	\$146,988.00	
Date Last Procured:	3/1/2017	
Repair Cost:	\$34,406.95	
AAC:	C	
Surplus Available:	0	
QPA/APPL Rate:	1	100%
Replacement Rate:	0	



Out Year Requirements: BUY									
FY20:	0	FY21:	0	FY22:	0	FY23:	0	FY24:	0

Out Year Requirements: REPAIR									
FY20:	1	FY21:	1	FY22:	1	FY23:	1	FY24:	1

761:	Unavailable
EDL:	Unavailable

762:	Available
RDL:	Available

NOTES

- Interested vendors should submit a Source Approval Request (SAR)



Digital Computer System

Alternate Source – Repair

Hill AFB - 415 SCMS



AMC/AMSC:	N/A	N/A
RMC/RMSC:	2	C
Material:	Not Available	
Dimensions:	Not Available	
Criticality Code:	X	
Drawings Available:	Yes	
Drawing #:	A3002-000283	
T.O. Available:	No	
T.O. #:	43D7-19-8-4	
Budget Code:	8	
Drawing Cage Code:	1L4J7	
Mesh File Available:	0	
Next Higher Asbly:	Electronic Warfare and Joint Threat Emitt	

DMSMS Report Not Available



If you would like to participate in the Technical Discussion on **20 November 2019, at 9:00AM – 10:00AM (CST)**, provide the following information NLT 14 November 2019 429SCMS.SASPO.Workflow@us.af.mil

- Company, address, name(s), email(s), phone
- Your questions for engineering



Electron Air Cooler

Alternate Source – Repair

Hill AFB - 415 SCMS



MD:	Joint Threat Emitter	
TMS:	N/A	
Noun:	Electron Air Cooler	
NSN:	5999015994736	
P/N:	NP0530	
Buy Price:	\$7,053.00	
Date Last Procured:	11/1/2011	
Repair Cost:	\$5,582.20	
AAC:	C	
Surplus Available:	0	
QPA/APPL Rate:	1	100%
Replacement Rate:	100	



Out Year Requirements: BUY									
FY20:	0	FY21:	0	FY22:	0	FY23:	0	FY24:	0

Out Year Requirements: REPAIR									
FY20:	2	FY21:	2	FY22:	2	FY23:	2	FY24:	2

761:	Available
EDL:	Available

762:	Available
RDL:	Available

NOTES

- Interested vendors should submit a Source Approval Request (SAR)



Electron Air Cooler

Alternate Source – Repair

Hill AFB - 415 SCMS



AMC/AMSC:	4	B
RMC/RMSC:	1	C
Material:	Metal enclosure with copper coils and electrical connectors.	
Dimensions:	29" L x 22" W x 13" H	
Criticality Code:	X	
Drawings Available:	Yes	
Drawing #:	A1053-000005 (SCD)	
T.O. Available:	No	
T.O. #:	43D7-19-5-4	
Budget Code:	8	
Drawing Cage Code:	49711	
Mesh File Available:	0	
Next Higher Asmbly:	Electronic Warfare and Joint Threat Emitt	

DMSMS Report Not Available

If you would like to participate in the Technical Discussion on **20 November 2019, at 9:00AM – 10:00AM (CST)**, provide the following information NLT 14 November 2019 429SCMS.SASPO.Workflow@us.af.mil

- Company, address, name(s), email(s), phone
- Your questions for engineering



Hand Crank

Alternate Source – Repair
Hill AFB - 415 SCMS



MD:	Joint Threat Emitter	
TMS:	N/A	
Noun:	Hand Crank	
NSN:	5340016188644	
P/N:	JTE133660-1 (CAGE 54547)	
Buy Price:	\$17,916.94	
Date Last Procured:	5/8/2017	
Repair Cost:	\$7,577.97	
AAC:	C	
Surplus Available:	0	
QPA/APPL Rate:	2	100%
Replacement Rate:	0	



Out Year Requirements: BUY									
FY20:	0	FY21:	0	FY22:	0	FY23:	0	FY24:	0

Out Year Requirements: REPAIR									
FY20:	2	FY21:	2	FY22:	2	FY23:	2	FY24:	2

761:	Available
EDL:	Unavailable

762:	Available
RDL:	Available

NOTES

- Interested vendors should submit a Source Approval Request (SAR)

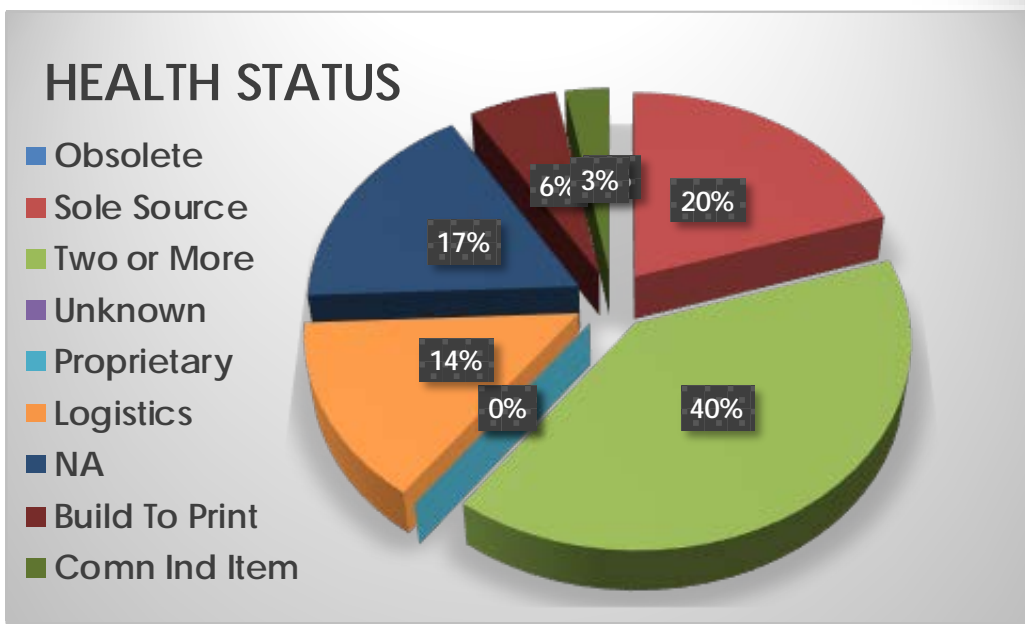


Hand Crank

Alternate Source – Repair
Hill AFB - 415 SCMS



AMC/AMSC:	3	R
RMC/RMSC:	1	C
Material:	Unknown	
Dimensions:	6.75" L X 6"W X 7"H X 5 LBS	
Criticality Code:	X	
Drawings Available:	Yes	
Drawing #:	JTE133660	
T.O. Available:	No	
T.O. #:	43D7-19-8-4; 43D7-5-4-WA-1	
Budget Code:	8	
Drawing Cage Code:	54547	
Mesh File Available:	0	
Next Higher Asmbly:	Electronic Warfare and Joint Threat Emitt	



If you would like to participate in the Technical Discussion on **20 November 2019, at 9:00AM – 10:00AM (CST)**, provide the following information NLT 14 November 2019 429SCMS.SASPO.Workflow@us.af.mil

- Company, address, name(s), email(s), phone
- Your questions for engineering



Power Supply

Alternate Source – Repair

Hill AFB - 415 SCMS



MD:	Joint Threat Emitter	
TMS:	N/A	
Noun:	Power Supply	
NSN:	6130015985780	
P/N:	HF-244 (CAGE 1PMK5)	
Buy Price:	\$7,618.52	
Date Last Procured:	9/1/2011	
Repair Cost:	\$12,933.11	
AAC:	C	
Surplus Available:	0	
QPA/APPL Rate:	1	100%
Replacement Rate:	0	



Out Year Requirements: BUY									
FY20:	0	FY21:	0	FY22:	0	FY23:	0	FY24:	0

Out Year Requirements: REPAIR									
FY20:	2	FY21:	2	FY22:	2	FY23:	2	FY24:	2

761:	Unavailable
EDL:	Unavailable

762:	Available
RDL:	Available

NOTES

- Interested vendors should submit a Source Approval Request (SAR)



Power Supply

Alternate Source – Repair

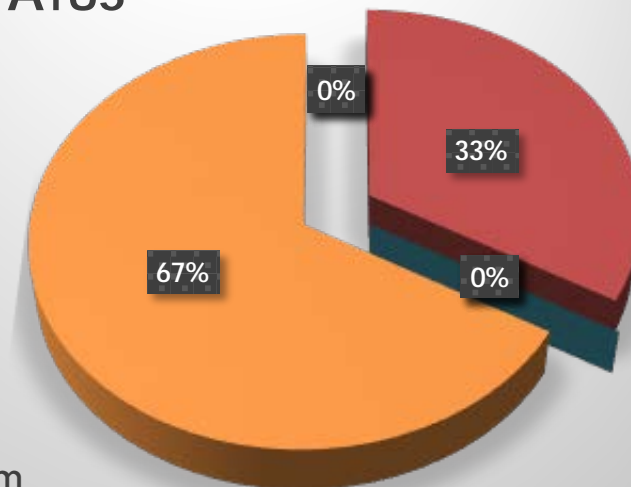
Hill AFB - 415 SCMS



AMC/AMSC:	N/A	N/A
RMC/RMSC:	1	C
Material:	0	
Dimensions:	0	
Criticality Code:	X	
Drawings Available:	No	
Drawing #:	0	
T.O. Available:	Yes	
T.O. #:	43D7-19-5-4	
Budget Code:	8	
Drawing Cage Code:	0	
Mesh File Available:	0	
Next Higher Asmby:	Electronic Warfare and Joint Threat Emitt	

HEALTH STATUS

- Obsolete
- Sole Source
- Two or More
- Unknown
- Proprietary
- Logistics
- NA
- Build To Print
- Comn Ind Item



If you would like to participate in the Technical Discussion on **20 November 2019, at 9:00AM – 10:00AM (CST)**, provide the following information NLT 14 November 2019 429SCMS.SASPO.Workflow@us.af.mil

- Company, address, name(s), email(s), phone
- Your questions for engineering



Power Supply Control

Alternate Source – Repair

Hill AFB - 415 SCMS



MD:	Joint Threat Emitter	
TMS:	N/A	
Noun:	Power Supply Control	
NSN:	6130015987098	
P/N:	510-1102-F00-00	
Buy Price:	\$36,200.00	
Date Last Procured:	10/1/2011	
Repair Cost:	\$10,271.80	
AAC:	C	
Surplus Available:	0	
QPA/APPL Rate:	3	100%
Replacement Rate:	0	



Out Year Requirements: BUY									
FY20:	0	FY21:	0	FY22:	0	FY23:	0	FY24:	0

Out Year Requirements: REPAIR									
FY20:	2	FY21:	2	FY22:	2	FY23:	2	FY24:	2

761:	Unavailable
EDL:	Unavailable

762:	Available
RDL:	Available

NOTES

- Interested vendors should submit a Source Approval Request (SAR)



Power Supply Control

Alternate Source – Repair

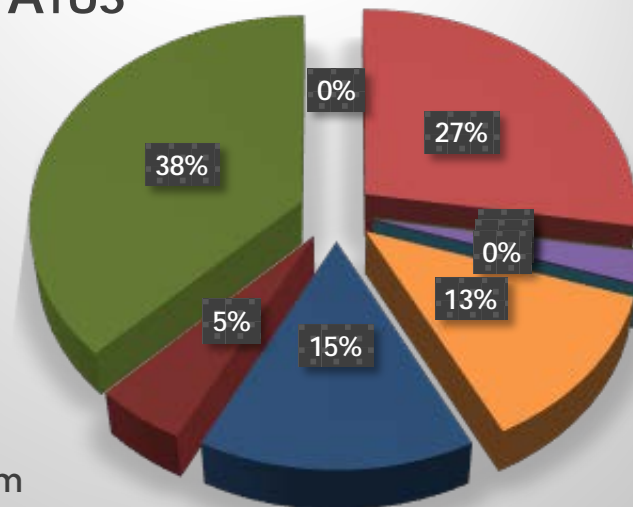
Hill AFB - 415 SCMS



AMC/AMSC:	N/A	N/A
RMC/RMSC:	1	C
Material:	Not Available	
Dimensions:	Not Available	
Criticality Code:	X	
Drawings Available:	Yes	
Drawing #:	A6975-000251-C	
T.O. Available:	Yes	
T.O. #:	43D7-19-5-4	
Budget Code:	8	
Drawing Cage Code:	1J47J	
Mesh File Available:	0	
Next Higher Asmbly:	Electronic Warfare and Joint Threat Emitt	

HEALTH STATUS

- Obsolete
- Sole Source
- Two or More
- Unknown
- Proprietary
- Logistics
- NA
- Build To Print
- Comn Ind Item



If you would like to participate in the Technical Discussion on **20 November 2019, at 9:00AM – 10:00AM (CST)**, provide the following information NLT 14 November 2019 429SCMS.SASPO.Workflow@us.af.mil

- Company, address, name(s), email(s), phone
- Your questions for engineering



Vanaxial Fan

Alternate Source – Repair

Hill AFB - 415 SCMS



MD:	Joint Threat Emitter	
TMS:	N/A	
Noun:	Vanaxial Fan	
NSN:	4140015986406	
P/N:	041296000 (CAGE 97424)	
Buy Price:	\$7,644.75	
Date Last Procured:	9/30/2011	
Repair Cost:	\$3,748.00	
AAC:	C	
Surplus Available:	3	
QPA/APPL Rate:	1	100%
Replacement Rate:	0	



Out Year Requirements: BUY									
FY20:	0	FY21:	0	FY22:	0	FY23:	0	FY24:	0

Out Year Requirements: REPAIR									
FY20:	2	FY21:	2	FY22:	2	FY23:	2	FY24:	2

761:	Unavailable
EDL:	Unavailable

762:	Available
RDL:	Available

NOTES

- Interested vendors should submit a Source Approval Request (SAR)



Vanaxial Fan

Alternate Source – Repair

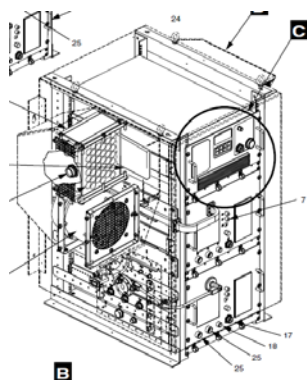
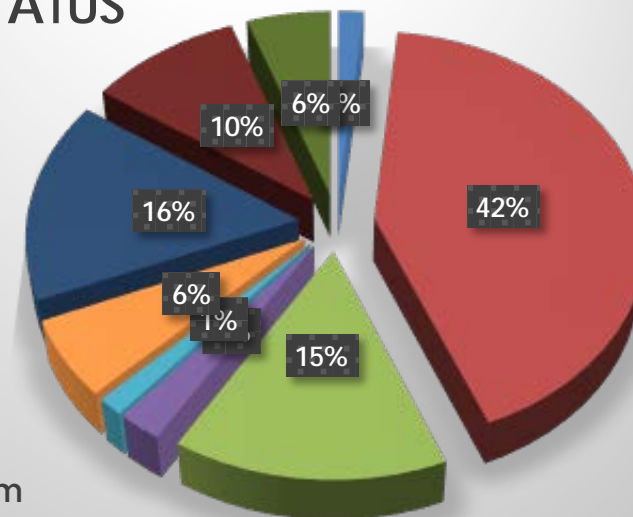
Hill AFB - 415 SCMS



AMC/AMSC:	N/A	N/A
RMC/RMSC:	1	C
Material:	Aluminum	
Dimensions:	Housing inside Diameter 10.750 Inches Nominal	
Criticality Code:	X	
Drawings Available:	Yes	
Drawing #:	A2500-100043	
T.O. Available:	Yes	
T.O. #:	43D7-19-5-4	
Budget Code:	8	
Drawing Cage Code:	1L4J7	
Mesh File Available:	0	
Next Higher Asmby:	Electronic Warfare Training Set (AN/TSQ-T	

HEALTH STATUS

- Obsolete
- Sole Source
- Two or More
- Unknown
- Proprietary
- Logistics
- NA
- Build To Print
- Comn Ind Item



If you would like to participate in the Technical Discussion on **20 November 2019, at 9:00AM – 10:00AM (CST)**, provide the following information NLT 14 November 2019 429SCMS.SASPO.Workflow@us.af.mil

- Company, address, name(s), email(s), phone
- Your questions for engineering



Video Scan Converter

Alternate Source – Repair

Hill AFB - 415 SCMS



MD:	Joint Threat Emitter	
TMS:	N/A	
Noun:	Video Scan Converter	
NSN:	5895015989438	
P/N:	C2-7100N	
Buy Price:	\$6,700.00	
Date Last Procured:	10/1/2011	
Repair Cost:	\$6,325.00	
AAC:	V	
Surplus Available:	0	
QPA/APPL Rate:	1	100%
Replacement Rate:	0	



Out Year Requirements: BUY									
FY20:	0	FY21:	0	FY22:	0	FY23:	0	FY24:	0

Out Year Requirements: REPAIR									
FY20:	1	FY21:	1	FY22:	1	FY23:	1	FY24:	1

761:	Not Available
EDL:	Not Available

762:	Available
RDL:	Available

NOTES

- Interested vendors should submit a Source Approval Request (SAR)



Video Scan Converter

Alternate Source – Repair

Hill AFB - 415 SCMS



AMC/AMSC:	N/A	N/A
RMC/RMSC:	1	C
Material:	Not Available	
Dimensions:	19" nominal L X 1.8" nominal H	
Criticality Code:	X	
Drawings Available:	Yes	
Drawing #:	A3009-000042	
T.O. Available:	Yes	
T.O. #:	43D7-19-5-4	
Budget Code:	8	
Drawing Cage Code:	1L4J7	
Mesh File Available:	0	
Next Higher Asmbly:	Electronic Warfare and Joint Threat Emitt	

DMSMS Report Not Available

If you would like to participate in the Technical Discussion on **20 November 2019, at 9:00AM – 10:00AM (CST)**, provide the following information NLT 14 November 2019 429SCMS.SASPO.Workflow@us.af.mil

- Company, address, name(s), email(s), phone
- Your questions for engineering



Mini-MUTES



Supplying Warfighter Dominance



Circuit Card Assembly

Alternate Source – Repair

Hill AFB - 415 SCMS



MD:	Mutes	
TMS:	N/A	
Noun:	Circuit Card Assembly	
NSN:	5998015986401	
P/N:	903-6008081-51	
Buy Price:	\$24,643.52	
Date Last Procured:	8/30/2011	
Repair Cost:	\$18,644.08	
AAC:	C	
Surplus Available:	0	
QPA/APPL Rate:	5	20%
Replacement Rate:	100	



Out Year Requirements: BUY									
FY20:	0	FY21:	0	FY22:	0	FY23:	0	FY24:	0

Out Year Requirements: REPAIR									
FY20:	1	FY21:	1	FY22:	1	FY23:	1	FY24:	1

761:	Unavailable
EDL:	Unavailable

762:	Available
RDL:	Available

NOTES

- Interested vendors should submit a Source Approval Request (SAR)



Circuit Card Assembly

Alternate Source – Repair

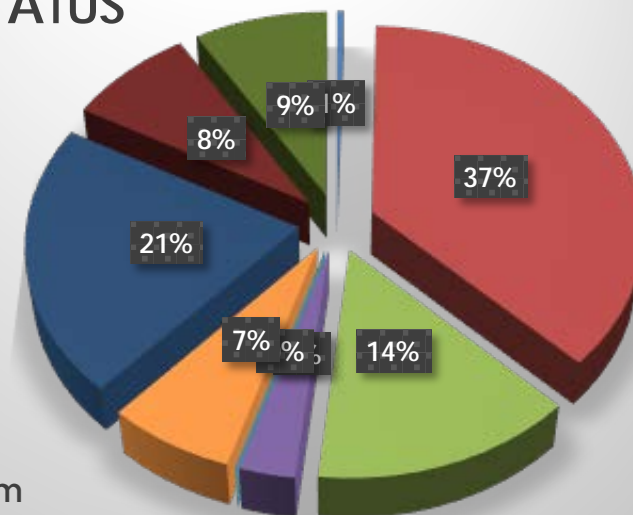
Hill AFB - 415 SCMS



AMC/AMSC:	N/A	N/A
RMC/RMSC:	1	C
Material:	Circuit Board	
Dimensions:	9.3" L x 6.3" W x 4" H, Weight 4.5 Lb	
Criticality Code:	X	
Drawings Available:	Yes	
Drawing #:	903-6008081	
T.O. Available:	Yes	
T.O. #:	43D7-19-5-4	
Budget Code:	8	
Drawing Cage Code:	1L4J7	
Mesh File Available:	0	
Next Higher Asmbly:	Electronic Warfare Training Set, AN/TSQ-T	

HEALTH STATUS

- Obsolete
- Sole Source
- Two or More
- Unknown
- Proprietary
- Logistics
- NA
- Build To Print
- Comn Ind Item



If you would like to participate in the Technical Discussion on **20 November 2019, at 9:00AM – 10:00AM (CST)**, provide the following information NLT 14 November 2019 429SCMS.SASPO.Workflow@us.af.mil

- Company, address, name(s), email(s), phone
- Your questions for engineering



Compressor-Dehydrator

Alternate Source – Repair

Hill AFB - 415 SCMS



MD:	Mutes	
TMS:	N/A	
Noun:	Compressor-Dehydrator	
NSN:	4440010976169	
P/N:	D47600-501	
Buy Price:	\$4,808.00	
Date Last Procured:	11/20/2018	
Repair Cost:	\$9,150.00	
AAC:	C	
Surplus Available:	0	
QPA/APPL Rate:	1	100%
Replacement Rate:	0	



Out Year Requirements: BUY									
FY20:	1	FY21:	1	FY22:	1	FY23:	1	FY24:	1

Out Year Requirements: REPAIR									
FY20:	1	FY21:	1	FY22:	1	FY23:	1	FY24:	1

761:	Available
EDL:	Unavailable

762:	Available
RDL:	Available

NOTES

- Interested vendors should submit a Source Approval Request (SAR)



Compressor-Dehydrator

Alternate Source – Repair

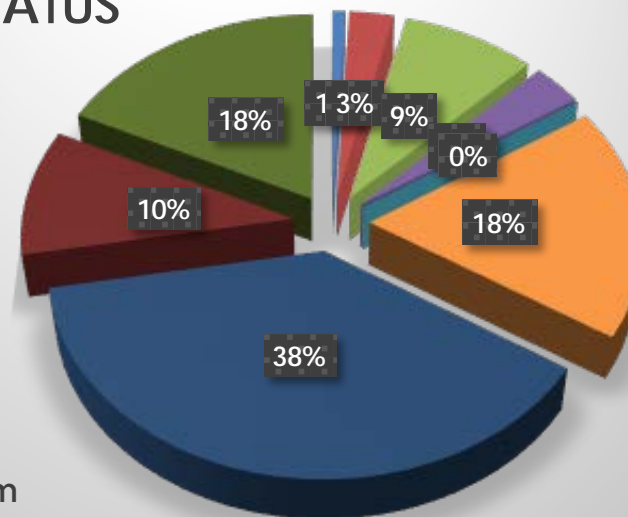
Hill AFB - 415 SCMS



AMC/AMSC:	2	C
RMC/RMSC:	1	C
Material:	Unknown	
Dimensions:	30"L X 64"W X 61"H X 282 LBS	
Criticality Code:	X	
Drawings Available:	Yes	
Drawing #:	654VM2520	
T.O. Available:	No	
T.O. #:	34Y1-237-1	
Budget Code:	8	
Drawing Cage Code:	81755	
Mesh File Available:	0	
Next Higher Asmbly:	Radar Set/5840-01-105-4656	

HEALTH STATUS

- Obsolete
- Sole Source
- Two or More
- Unknown
- Proprietary
- Logistics
- NA
- Build To Print
- Comn Ind Item



If you would like to participate in the Technical Discussion on **20 November 2019, at 9:00AM – 10:00AM (CST)**, provide the following information NLT 14 November 2019 429SCMS.SASPO.Workflow@us.af.mil

- Company, address, name(s), email(s), phone
- Your questions for engineering



Oscillating Group

Alternate Source – Repair

Hill AFB - 415 SCMS



MD:	Mutes	
TMS:	N/A	
Noun:	Oscillating Group	
NSN:	5955010976222	
P/N:	PC-0901M-1	
Buy Price:	\$32,800.00	
Date Last Procured:	7/25/2013	
Repair Cost:	\$18,620.80	
AAC:	C	
Surplus Available:	0	
QPA/APPL Rate:	1	100%
Replacement Rate:	0	



Out Year Requirements: BUY									
FY20:	0	FY21:	0	FY22:	0	FY23:	0	FY24:	0

Out Year Requirements: REPAIR									
FY20:	4	FY21:	4	FY22:	4	FY23:	4	FY24:	4

761:	Available
EDL:	Available

762:	Available
RDL:	Available

NOTES

- Interested vendors should submit a Source Approval Request (SAR)



Oscillating Group

Alternate Source – Repair

Hill AFB - 415 SCMS



AMC/AMSC:	1	C
RMC/RMSC:	1	C
Material:	Metal and Ferrite Material	
Dimensions:	27"L X 16"W X 20"H X 68 LBS	
Criticality Code:	X	
Drawings Available:	Yes	
Drawing #:	654VE4851	
T.O. Available:	Yes	
T.O. #:	43D7-19-2-4	
Budget Code:	8	
Drawing Cage Code:	81755	
Mesh File Available:	0	
Next Higher Asmbly:	AN/MST-T1A Radar Set/5840-01-105-4656	

DMSMS Report Not Available



If you would like to participate in the Technical Discussion on **20 November 2019, at 9:00AM – 10:00AM (CST)**, provide the following information NLT 14 November 2019 429SCMS.SASPO.Workflow@us.af.mil

- Company, address, name(s), email(s), phone
- Your questions for engineering



Radio Coupler

Alternate Source – Repair

Hill AFB - 415 SCMS



MD:	Mutes	
TMS:	N/A	
Noun:	Radio Coupler	
NSN:	5985010784682	
P/N:	626Z1117-3	
Buy Price:	\$4,388.00	
Date Last Procured:	2/22/1988	
Repair Cost:	\$4,276.72	
AAC:	C	
Surplus Available:	0	
QPA/APPL Rate:	1	100%
Replacement Rate:	0	



Out Year Requirements: BUY									
FY20:	0	FY21:	0	FY22:	0	FY23:	0	FY24:	0

Out Year Requirements: REPAIR									
FY20:	2	FY21:	2	FY22:	2	FY23:	2	FY24:	2

761:	Unavailable
EDL:	Unavailable

762:	Available
RDL:	Available

NOTES

- Interested vendors should submit a Source Approval Request (SAR)



Radio Coupler

Alternate Source – Repair

Hill AFB - 415 SCMS



AMC/AMSC:	N/A	N/A
RMC/RMSC:	1	C
Material:	Aluminum	
Dimensions:	9"L x 3.625" Diameter Radio Frequency Rating 4.9 Ghz	
Criticality Code:	X	
Drawings Available:	Yes	
Drawing #:	626Z1117	
T.O. Available:	Yes	
T.O. #:	43D7-19-2-4	
Budget Code:	8	
Drawing Cage Code:	81755	
Mesh File Available:	0	
Next Higher Asmbly:	Electronic Warfare Training Set AN/MST-T	

DMSMS Report Not Available

If you would like to participate in the Technical Discussion on **20 November 2019, at 9:00AM – 10:00AM (CST)**, provide the following information NLT 14 November 2019 429SCMS.SASPO.Workflow@us.af.mil

- Company, address, name(s), email(s), phone
- Your questions for engineering



Speed Azimuth Reducer

Alternate Source – Repair

Hill AFB - 415 SCMS



MD:	Mutes	
TMS:	N/A	
Noun:	Speed Azimuth Reducer	
NSN:	3010013268932	
P/N:	132520 (CAGE 50867)	
Buy Price:	\$29,204.53	
Date Last Procured:	3/30/1992	
Repair Cost:	\$8,414.64	
AAC:	C	
Surplus Available:	0	
QPA/APPL Rate:	1	100%
Replacement Rate:	0	



Out Year Requirements: BUY									
FY20:	0	FY21:	0	FY22:	0	FY23:	0	FY24:	0

Out Year Requirements: REPAIR									
FY20:	1	FY21:	1	FY22:	1	FY23:	1	FY24:	1

761:	Unavailable
EDL:	Unavailable

762:	Available
RDL:	Available

NOTES

- Interested vendors should submit a Source Approval Request (SAR)



Speed Azimuth Reducer

Alternate Source – Repair

Hill AFB - 415 SCMS



AMC/AMSC:	N/A	N/A
RMC/RMSC:	1	C
Material:	Not available	
Dimensions:	Not available	
Criticality Code:	X	
Drawings Available:	No	
Drawing #:	Not Available	
T.O. Available:	Yes	
T.O. #:	31R2-4-950-4	
Budget Code:	8	
Drawing Cage Code:	0	
Mesh File Available:	0	
Next Higher Asmbly:	Electronic Warfare Training Set (NSN 5840	

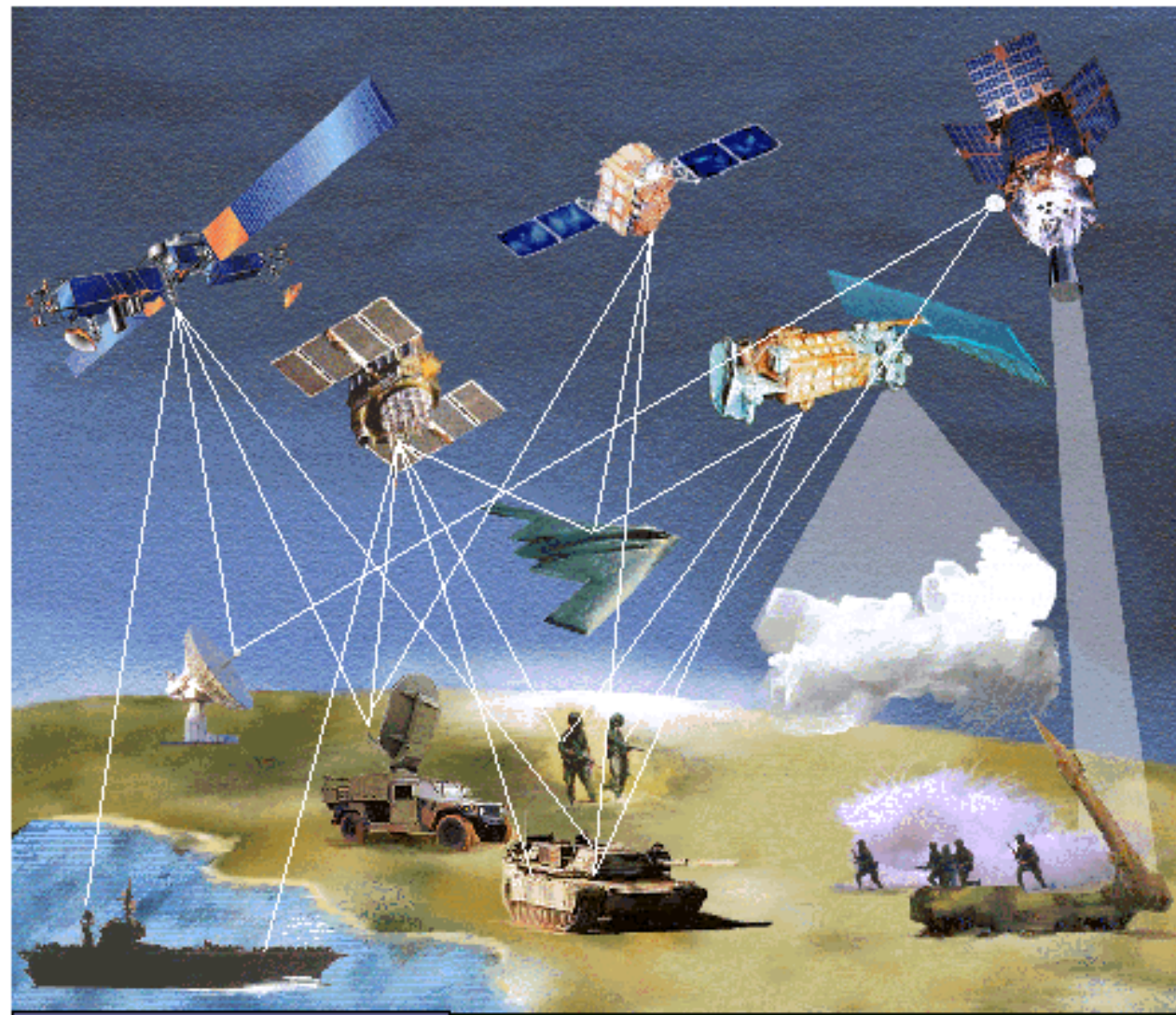
DMSMS Report Not Available

If you would like to participate in the Technical Discussion on **20 November 2019, at 9:00AM – 10:00AM (CST)**, provide the following information NLT 14 November 2019 429SCMS.SASPO.Workflow@us.af.mil

- Company, address, name(s), email(s), phone
- Your questions for engineering



DMSp-SEON



Supplying Warfighter Dominance



Antenna Assembly

Alternate Source – Repair

Hill AFB - 415 SCMS



MD:	DMSP-SEON	
TMS:	N/A	
Noun:	Antenna Assembly	
NSN:	5985010365713	
P/N:	26-0.1M (CAGE 10110) 322066 (1CDY6)	
Buy Price:	\$11,613.00	
Date Last Procured:	6/24/2014	
Repair Cost:	\$6,578.00	
AAC:	C	
Surplus Available:	0	
QPA/APPL Rate:	1	100%
Replacement Rate:	0	



Out Year Requirements: BUY									
FY20:	0	FY21:	0	FY22:	0	FY23:	0	FY24:	0

Out Year Requirements: REPAIR									
FY20:	1	FY21:	1	FY22:	1	FY23:	1	FY24:	1

761:	Available
EDL:	Available

762:	Available
RDL:	Available

NOTES

- Interested vendors should submit a Source Approval Request (SAR)



Antenna Assembly

Alternate Source – Repair

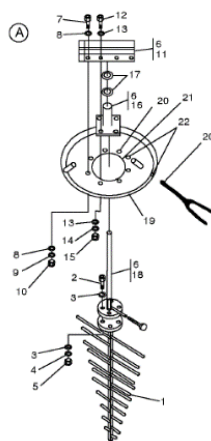
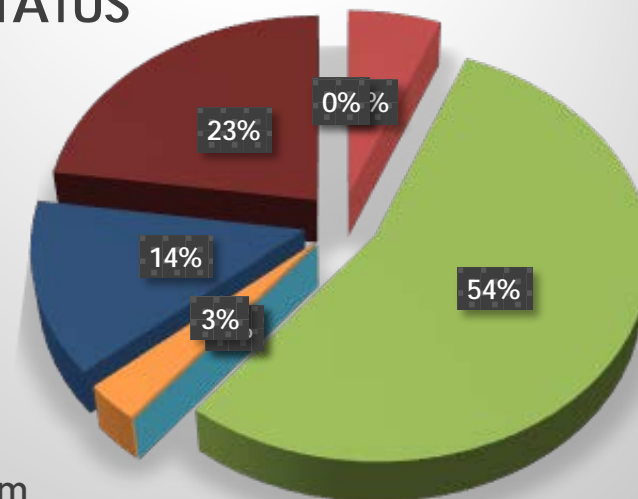
Hill AFB - 415 SCMS



AMC/AMSC:	1	G
RMC/RMSC:	1	C
Material:	Metalic Assembly	
Dimensions:	46" L X 42" W X 9" H X 75 LBS	
Criticality Code:	X	
Drawings Available:	Yes	
Drawing #:	600777	
T.O. Available:	Yes	
T.O. #:	31M3-4-5-4	
Budget Code:	8	
Drawing Cage Code:	09017	
Mesh File Available:	0	
Next Higher Asbly:	DWSP (761) DMSP (762)	

HEALTH STATUS

- Obsolete
- Sole Source
- Two or More
- Unknown
- Proprietary
- Logistics
- NA
- Build To Print
- Comn Ind Item



If you would like to participate in the Technical Discussion on **20 November 2019, at 10:00AM – 11:00AM (CST)**, provide the following information NLT 14 November 2019

429SCMS.SASPO.Workflow@us.af.mil

- Company, address, name(s), email(s), phone
- Your questions for engineering



Electronic Amplifier

Alternate Source – Repair

Hill AFB - 415 SCMS



MD:	DMSP-SEON	
TMS:	N/A	
Noun:	Electronic Amplifier	
NSN:	5996015550708	
P/N:	MPA-09-372	
Buy Price:	\$7,050.00	
Date Last Procured:	6/23/2011	
Repair Cost:	\$3,390.20	
AAC:	C	
Surplus Available:	0	
QPA/APPL Rate:	1	100%
Replacement Rate:	0	



Out Year Requirements: BUY									
FY20:	0	FY21:	0	FY22:	0	FY23:	0	FY24:	0

Out Year Requirements: REPAIR									
FY20:	1	FY21:	1	FY22:	1	FY23:	1	FY24:	1

761:	Available
EDL:	Unavailable

762:	Available
RDL:	Available

NOTES

- Interested vendors should submit a Source Approval Request (SAR)



Electronic Amplifier

Alternate Source – Repair

Hill AFB - 415 SCMS



AMC/AMSC:	2	Z
RMC/RMSC:	1	C
Material:	Metal Case with Electronic Components	
Dimensions:	18"L X 12"W X 21"H X 100 LBS	
Criticality Code:	X	
Drawings Available:	No	
Drawing #:	Not Available	
T.O. Available:	Yes	
T.O. #:	31M3-4-5-4	
Budget Code:	8	
Drawing Cage Code:	0	
Mesh File Available:	0	
Next Higher Asmbly:	AN/FRR-95 Meteorological Data Display S	

DMSMS Report Not Available

If you would like to participate in the Technical Discussion on **20 November 2019, at 10:00AM – 11:00AM (CST)**, provide the following information NLT 14 November 2019
429SCMS.SASPO.Workflow@us.af.mil

- Company, address, name(s), email(s), phone
- Your questions for engineering



Direct Current Motor

Alternate Source – Repair

Hill AFB - 415 SCMS



MD:	DMSP-SEON	
TMS:	N/A	
Noun:	Direct Current Motor	
NSN:	6105015735924	
P/N:	495855-001	
Buy Price:	\$5,460.00	
Date Last Procured:	9/9/2011	
Repair Cost:	\$3,724.16	
AAC:	C	
Surplus Available:	0	
QPA/APPL Rate:	1	100%
Replacement Rate:	0	



Out Year Requirements: BUY									
FY20:	0	FY21:	0	FY22:	0	FY23:	0	FY24:	0

Out Year Requirements: REPAIR									
FY20:	1	FY21:	1	FY22:	1	FY23:	1	FY24:	1

761:	Available
EDL:	Available

762:	Available
RDL:	Available

NOTES

- Interested vendors should submit a Source Approval Request (SAR)



Direct Current Motor

Alternate Source – Repair

Hill AFB - 415 SCMS



AMC/AMSC:	3	Z
RMC/RMSC:	2	C
Material:	Not Available	
Dimensions:	Not Available	
Criticality Code:	X	
Drawings Available:	No	
Drawing #:	Not Available	
T.O. Available:	Yes	
T.O. #:	31M3-4-5-4	
Budget Code:	8	
Drawing Cage Code:	0	
Mesh File Available:	0	
Next Higher Asbly:	Radio Interference Measuring Set/6625-0	

DMSMS Report Not Available

If you would like to participate in the Technical Discussion on **20 November 2019, at 10:00AM – 11:00AM (CST)**, provide the following information NLT 14 November 2019
429SCMS.SASPO.Workflow@us.af.mil

- Company, address, name(s), email(s), phone
- Your questions for engineering



Intermediate Amplifier

Alternate Source – Repair

Hill AFB - 415 SCMS



MD:	DMSP-SEON	
TMS:	N/A	
Noun:	Intermediate Amplifier	
NSN:	5996010330197	
P/N:	317239	
Buy Price:	\$1,425.00	
Date Last Procured:	2/23/1993	
Repair Cost:	\$1,391.50	
AAC:	C	
Surplus Available:	0	
QPA/APPL Rate:	11	100%
Replacement Rate:	0	



Out Year Requirements: BUY									
FY20:	0	FY21:	0	FY22:	0	FY23:	0	FY24:	0

Out Year Requirements: REPAIR									
FY20:	1	FY21:	1	FY22:	1	FY23:	1	FY24:	1

761:	Available
EDL:	Available

762:	Available
RDL:	Available

NOTES

- Interested vendors should submit a Source Approval Request (SAR)



Intermediate Amplifier

Alternate Source – Repair

Hill AFB - 415 SCMS



AMC/AMSC:	2	C
RMC/RMSC:	2	C
Material:	Aluminum, Copper, Zinc, Iron	
Dimensions:	6.75"L X 1.5"W X .75"H X 4 LBS	
Criticality Code:	X	
Drawings Available:	Yes	
Drawing #:	317239	
T.O. Available:	Yes	
T.O. #:	31M3-4-5-4	
Budget Code:	8	
Drawing Cage Code:	80045	
Mesh File Available:	0	
Next Higher Asmbly:	AN/FRR-95 Radio Interference Measuring	

DMSMS Report Not Available

If you would like to participate in the Technical Discussion on **20 November 2019, at 10:00AM – 11:00AM (CST)**, provide the following information NLT 14 November 2019
429SCMS.SASPO.Workflow@us.af.mil

- Company, address, name(s), email(s), phone
- Your questions for engineering



Optical Instrument Mirror

Alternate Source – Repair

Hill AFB - 415 SCMS



MD:	DMSP-SEON	
TMS:	N/A	
Noun:	Optical Instrument Mirror	
NSN:	6650010559670	
P/N:	7361202 (CAGE 07869)	
Buy Price:	\$2,548.03	
Date Last Procured:	10/1/1997	
Repair Cost:	\$1,728.00	
AAC:	C	
Surplus Available:	0	
QPA/APPL Rate:	2	100%
Replacement Rate:	0	



Out Year Requirements: BUY									
FY20:	0	FY21:	0	FY22:	0	FY23:	0	FY24:	0

Out Year Requirements: REPAIR									
FY20:	4	FY21:	4	FY22:	4	FY23:	4	FY24:	4

761:	Available
EDL:	Available

762:	Available
RDL:	Available

NOTES

- Interested vendors should submit a Source Approval Request (SAR)



Optical Instrument Mirror

Alternate Source – Repair

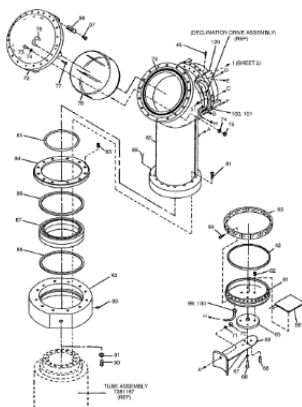
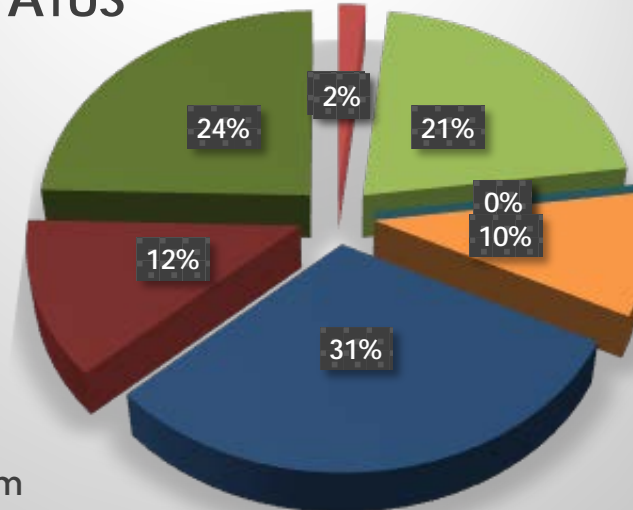
Hill AFB - 415 SCMS



AMC/AMSC:	2	C
RMC/RMSC:	1	C
Material:	Corning Glass	
Dimensions:	23"L X 23"W X 10.5"H X 56 LBS	
Criticality Code:	X	
Drawings Available:	Yes	
Drawing #:	7361202; 7361200 (CAGE 98749)	
T.O. Available:	Yes	
T.O. #:	31M1-2FMQ7-4; 31M1-2FMQ7-1	
Budget Code:	8	
Drawing Cage Code:	07869	
Mesh File Available:	0	
Next Higher Asmbly:	Solar Telescope Set, 6660-01-056-0923	

HEALTH STATUS

- Obsolete
- Sole Source
- Two or More
- Unknown
- Proprietary
- Logistics
- NA
- Build To Print
- Comn Ind Item



If you would like to participate in the Technical Discussion on **20 November 2019, at 10:00AM – 11:00AM (CST)**, provide the following information NLT 14 November 2019

429SCMS.SASPO.Workflow@us.af.mil

- Company, address, name(s), email(s), phone
- Your questions for engineering



Optical Instrument Mirror

Alternate Source – Repair

Hill AFB - 415 SCMS



MD:	DMSP-SEON	
TMS:	N/A	
Noun:	Optical Instrument Mirror (M2)	
NSN:	6650010559671	
P/N:	7361204 (CAGE 07869)	
Buy Price:	\$1,170.29	
Date Last Procured:	1/20/1987	
Repair Cost:	\$780.00	
AAC:	C	
Surplus Available:	0	
QPA/APPL Rate:	100	100%
Replacement Rate:	0	



Out Year Requirements: BUY									
FY20:	0	FY21:	0	FY22:	0	FY23:	0	FY24:	0

Out Year Requirements: REPAIR									
FY20:	1	FY21:	2	FY22:	1	FY23:	1	FY24:	2

761:	Unavailable
EDL:	Unavailable

762:	Available
RDL:	Available

NOTES

- Interested vendors should submit a Source Approval Request (SAR)



Optical Instrument Mirror

Alternate Source – Repair

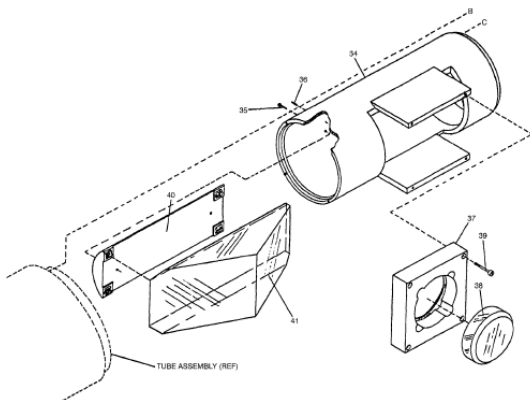
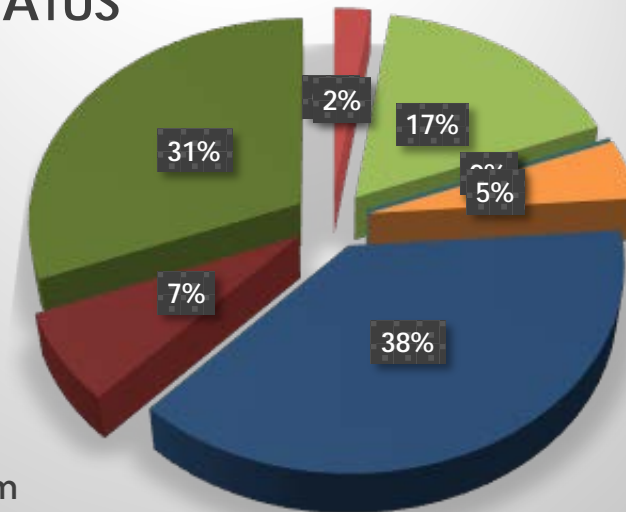
Hill AFB - 415 SCMS



AMC/AMSC:	N/A	N/A
RMC/RMSC:	1	C
Material:	Corning Glass	
Dimensions:	Diameter: 4.245" min and 4.250" max Thickness: 0.990" min and 1" max	
Criticality Code:	X	
Drawings Available:	Yes	
Drawing #:	7361204	
T.O. Available:	Yes	
T.O. #:	31M1-2FMQ7-4, 31M1-2FMQ7-1	
Budget Code:	8	
Drawing Cage Code:	98749	
Mesh File Available:	0	
Next Higher Asmbly:	Solar Telescope Set, 6660-01-056-0923	

HEALTH STATUS

- Obsolete
- Sole Source
- Two or More
- Unknown
- Proprietary
- Logistics
- NA
- Build To Print
- Comn Ind Item



If you would like to participate in the Technical Discussion on **20 November 2019, at 10:00AM – 11:00AM (CST)**, provide the following information NLT 14 November 2019

429SCMS.SASPO.Workflow@us.af.mil

- Company, address, name(s), email(s), phone
- Your questions for engineering



Power Supply

Alternate Source – Repair

Hill AFB - 415 SCMS



MD:	DMSP-SEON	
TMS:	N/A	
Noun:	Power Supply	
NSN:	6130015556140	
P/N:	1104946 (CAGE 1Q601)	
Buy Price:	\$3,405.15	
Date Last Procured:	5/17/2016	
Repair Cost:	\$1,518.00	
AAC:	C	
Surplus Available:	0	
QPA/APPL Rate:	1	100%
Replacement Rate:	0	



Out Year Requirements: BUY									
FY20:	0	FY21:	0	FY22:	0	FY23:	0	FY24:	0

Out Year Requirements: REPAIR									
FY20:	0	FY21:	0	FY22:	0	FY23:	0	FY24:	0

761:	Available
EDL:	Unavailable

762:	Available
RDL:	Available

- NOTES**
- Item Function: DC Power Supply
 - Interested repair sources can submit Repair Qualification Requirements (RQR) for qualification
 - Commercial Off-The-Shelf Item
 - Government has no technical data
 - End Item NSN: 6625-01-055-9651



Power Supply

Alternate Source – Repair

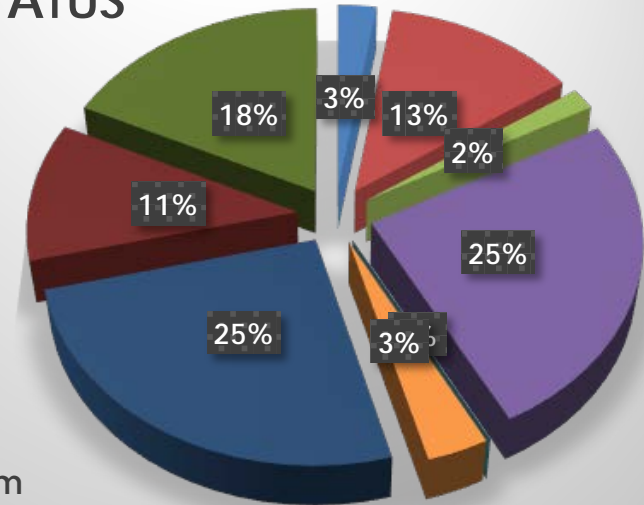
Hill AFB - 415 SCMS



AMC/AMSC:	2	R
RMC/RMSC:	1	Z
Material:	Electronic components in a metal case	
Dimensions:	15"L X 12.5"W X 6.5"H X 2 LBS	
Criticality Code:	X	
Drawings Available:	No	
Drawing #:	Not Available	
T.O. Available:	Yes	
T.O. #:	31M3-4FRR95-1-1; 31M3-4FRR95-21-1	
Budget Code:	8	
Drawing Cage Code:	0	
Mesh File Available:	0	
Next Higher Asmbly:	AN/FFR-95, Radio Interference, 6625-01-0	

HEALTH STATUS

- Obsolete
- Sole Source
- Two or More
- Unknown
- Proprietary
- Logistics
- NA
- Build To Print
- Comn Ind Item



If you would like to participate in the Technical Discussion on **20 November 2019, at 10:00AM – 11:00AM (CST)**, provide the following information NLT 14 November 2019 429SCMS.SASPO.Workflow@us.af.mil

- Company, address, name(s), email(s), phone
- Your questions for engineering



Q-Band Signal Data Converter

Alternate Source – Repair

Hill AFB - 415 SCMS



MD:	DMSP-SEON	
TMS:	N/A	
Noun:	Q-Band Signal Data Converter	
NSN:	5895013366576	
P/N:	G267557-1 (49956)	
Buy Price:	\$45,930.50	
Date Last Procured:	9/23/2009	
Repair Cost:	\$25,139.60	
AAC:	C	
Surplus Available:	0	
QPA/APPL Rate:	1	100%
Replacement Rate:	27	



Out Year Requirements: BUY									
FY20:	0	FY21:	0	FY22:	0	FY23:	0	FY24:	0

Out Year Requirements: REPAIR									
FY20:	6	FY21:	4	FY22:	3	FY23:	4	FY24:	3

761:	Available
EDL:	Available

762:	Available
RDL:	Available

NOTES

- Interested vendors should submit a Source Approval Request (SAR)



Q-Band Signal Data Converter

Alternate Source – Repair

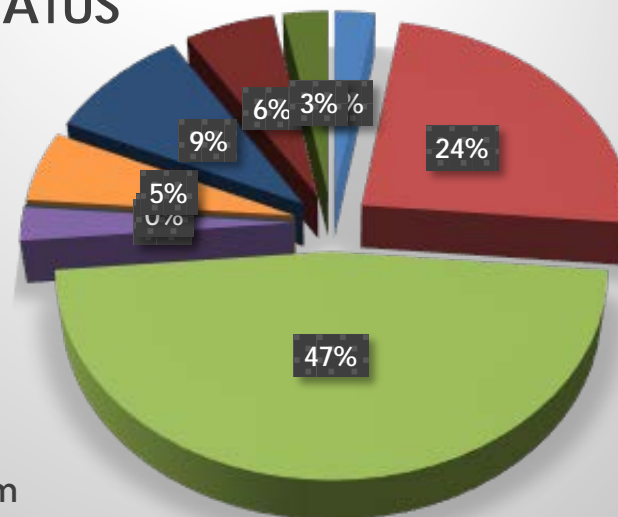
Hill AFB - 415 SCMS



AMC/AMSC:	2	B
RMC/RMSC:	1	C
Material:	Metal	
Dimensions:	24.9" L X 7.6" W X 13.4"H X 85 LBS	
Criticality Code:	Y	
Drawings Available:	Yes	
Drawing #:	G267557 or -1 (SCD)????	
T.O. Available:	Yes	
T.O. #:	12R2-2ARC208-32	
Budget Code:	8	
Drawing Cage Code:	49956	
Mesh File Available:	0	
Next Higher Asmbly:	762: HPA (AM-7361/U); 761: AN/USC-38(

HEALTH STATUS

- Obsolete
- Sole Source
- Two or More
- Unknown
- Proprietary
- Logistics
- NA
- Build To Print
- Comn Ind Item



If you would like to participate in the Technical Discussion on **20 November 2019, at 10:00AM – 11:00AM (CST)**, provide the following information NLT 14 November 2019

429SCMS.SASPO.Workflow@us.af.mil

- Company, address, name(s), email(s), phone
- Your questions for engineering



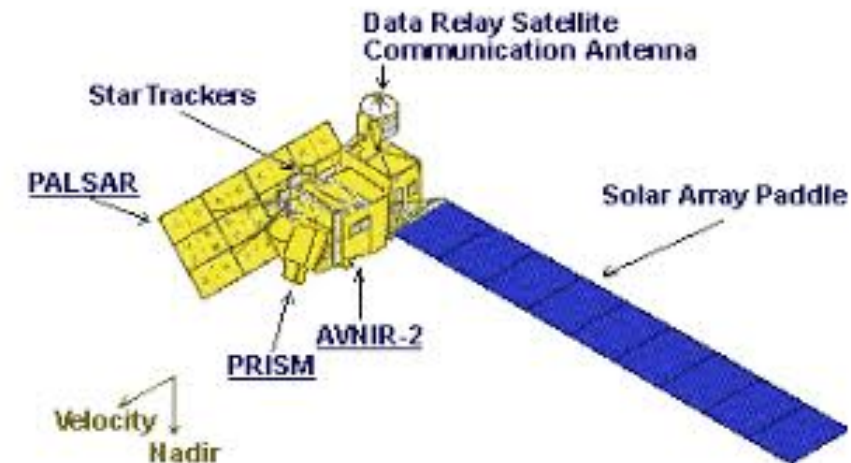
Rotator Prism

Alternate Source – Repair

Hill AFB - 415 SCMS



MD:	DMSP-SEON	
TMS:	N/A	
Noun:	Rotator Prism	
NSN:	6650010564386	
P/N:	7361203	
Buy Price:	\$7,077.86	
Date Last Procured:	10/1/1997	
Repair Cost:	\$1,840.00	
AAC:	C	
Surplus Available:	0	
QPA/APPL Rate:	1	100%
Replacement Rate:	0	



Out Year Requirements: BUY									
FY20:	0	FY21:	0	FY22:	0	FY23:	0	FY24:	0

Out Year Requirements: REPAIR									
FY20:	3	FY21:	3	FY22:	7	FY23:	3	FY24:	3

761:	Available
EDL:	Available

762:	Available
RDL:	Available

NOTES

- Interested vendors should submit a Source Approval Request (SAR)



Rotator Prism

Alternate Source – Repair

Hill AFB - 415 SCMS



AMC/AMSC:	2	C
RMC/RMSC:	1	C
Material:	Glass	
Dimensions:	25"L X 15"W X 14.5"H X 14 LBS	
Criticality Code:	X	
Drawings Available:	Yes	
Drawing #:	7361203	
T.O. Available:	Yes	
T.O. #:	31M1-2FMQ7-4	
Budget Code:	8	
Drawing Cage Code:	07869	
Mesh File Available:	0	
Next Higher Asmbly:	AAN/FMQ-7 Solar Telescope Set/6660-01	

DMSMS Report Not Available

If you would like to participate in the Technical Discussion on **20 November 2019, at 10:00AM – 11:00AM (CST)**, provide the following information NLT 14 November 2019
429SCMS.SASPO.Workflow@us.af.mil

- Company, address, name(s), email(s), phone
- Your questions for engineering



Singlet F1 Lens

Alternate Source – Repair

Hill AFB - 415 SCMS



MD:	DMSP-SEON	
TMS:	N/A	
Noun:	Singlet F1 Lens	
NSN:	6660010566191	
P/N:	7361205	
Buy Price:	\$7,281.75	
Date Last Procured:	10/1/1997	
Repair Cost:	\$3,609.70	
AAC:	C	
Surplus Available:	0	
QPA/APPL Rate:	1	100%
Replacement Rate:	0	



Out Year Requirements: BUY									
FY20:	0	FY21:	0	FY22:	0	FY23:	0	FY24:	0

Out Year Requirements: REPAIR									
FY20:	3	FY21:	3	FY22:	7	FY23:	3	FY24:	3

761:	Available
EDL:	Available

762:	Available
RDL:	Available

NOTES

- Interested vendors should submit a Source Approval Request (SAR)



Singlet F1 Lens

Alternate Source – Repair

Hill AFB - 415 SCMS



AMC/AMSC:	N/A	N/A
RMC/RMSC:	1	C
Material:	Not Available	
Dimensions:	Not Available	
Criticality Code:	X	
Drawings Available:	Yes	
Drawing #:	7361205	
T.O. Available:	Yes	
T.O. #:	31M1-2FMQ7-4	
Budget Code:	8	
Drawing Cage Code:	07869	
Mesh File Available:	0	
Next Higher Asmbly:	AN/FMQ-7 Solar Telescope Set/6660-01-C	

DMSMS Report Not Available

If you would like to participate in the Technical Discussion on **20 November 2019, at 10:00AM – 11:00AM (CST)**, provide the following information NLT 14 November 2019
429SCMS.SASPO.Workflow@us.af.mil

- Company, address, name(s), email(s), phone
- Your questions for engineering



MILSTAR



Supplying Warfighter Dominance



Antenna Assembly

Alternate Source – Repair

Hill AFB - 415 SCMS



MD:	MILSTAR	
TMS:	N/A	
Noun:	ANTENNA ASSEMBLY	
NSN:	5985014464107	
P/N:	6499-344615-5	
Buy Price:	\$561,642.32	
Date Last Procured:	10/1/1997	
Repair Cost:	\$233,309.31	
AAC:	V	
Surplus Available:	0	
QPA/APPL Rate:	1	100%
Replacement Rate:	0	



Out Year Requirements: BUY									
FY20:	0	FY21:	0	FY22:	0	FY23:	0	FY24:	0

Out Year Requirements: REPAIR									
FY20:	1	FY21:	1	FY22:	1	FY23:	1	FY24:	1

761:	Available
EDL:	Available

762:	Available
RDL:	Available

NOTES

- Interested vendors should submit a Source Approval Request (SAR)



Antenna Assembly

Alternate Source – Repair

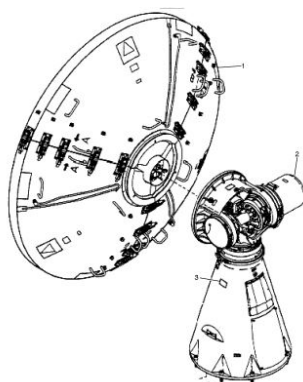
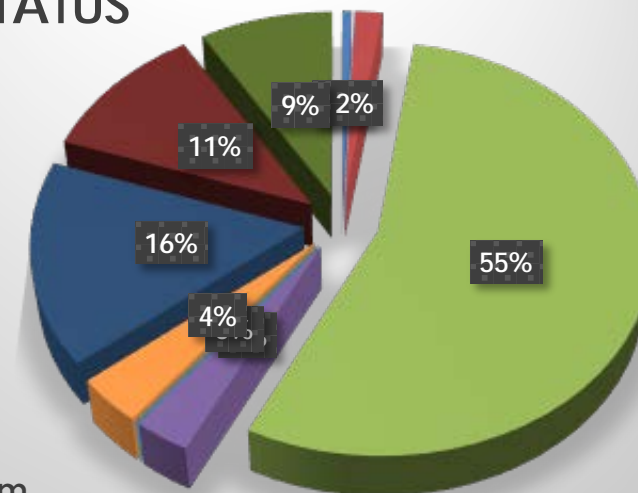
Hill AFB - 415 SCMS



AMC/AMSC:	N/A	N/A
RMC/RMSC:	1	C
Material:	Mechanical, Electrical, and Composite Assemblies	
Dimensions:	95"L X 55"W X 73"H X 1,585 LBS	
Criticality Code:	H	
Drawings Available:	Yes	
Drawing #:	6499-344615	
T.O. Available:	Yes	
T.O. #:	31R2-2T-21	
Budget Code:	8	
Drawing Cage Code:	80070	
Mesh File Available:	0	
Next Higher Asmbly:	AN/TRC 194 System MILSTAR	

HEALTH STATUS

- Obsolete
- Sole Source
- Two or More
- Unknown
- Proprietary
- Logistics
- NA
- Build To Print
- Comn Ind Item



If you would like to participate in the Technical Discussion on **20 November 2019, at 10:00AM – 11:00AM (CST)**, provide the following information NLT 14 November 2019

429SCMS.SASPO.Workflow@us.af.mil

- Company, address, name(s), email(s), phone
- Your questions for engineering



Battery Assembly Case

Alternate Source – Repair

Hill AFB - 415 SCMS



MD:	MILSTAR	
TMS:	N/A	
Noun:	Battery Assembly Case	
NSN:	6140013199617	
P/N:	G431287-50	
Buy Price:	\$1,171.00	
Date Last Procured:	12/15/2010	
Repair Cost:	\$855.14	
AAC:	C	
Surplus Available:	0	
QPA/APPL Rate:	1	100%
Replacement Rate:	0	



Out Year Requirements: BUY									
FY20:	0	FY21:	0	FY22:	0	FY23:	0	FY24:	0

Out Year Requirements: REPAIR									
FY20:	22	FY21:	22	FY22:	22	FY23:	22	FY24:	22

761:	Available
EDL:	Available

762:	Available
RDL:	Available

- NOTES**
- Interested vendors should submit a Source Approval Request (SAR)
 - Difficult to produce/high condemnations
 - Additional procurement capacity needed to support the current and future requirements
 - Source qualification requirements provided upon request



Battery Assembly Case

Alternate Source – Repair

Hill AFB - 415 SCMS



AMC/AMSC:	1	G
RMC/RMSC:	1	C
Material:	Tin with Rubber cover	
Dimensions:	4.700" L x 3.100" W x 2.875"	
Criticality Code:	X	
Drawings Available:	Yes	
Drawing #:	G431287	
T.O. Available:	Yes	
T.O. #:	12R2-2ARC208-2	
Budget Code:	8	
Drawing Cage Code:	49956	
Mesh File Available:	0	
Next Higher Asmbly:	Military Strategic Tactical and Relay Sa	

DMSMS Report Not Available

If you would like to participate in the Technical Discussion on **20 November 2019, at 10:00AM – 11:00AM (CST)**, provide the following information NLT 14 November 2019
429SCMS.SASPO.Workflow@us.af.mil

- Company, address, name(s), email(s), phone
- Your questions for engineering



Frequency Multiplier

Alternate Source – Repair

Hill AFB - 415 SCMS



MD:	MILSTAR	
TMS:	N/A	
Noun:	Frequency Multiplier	
NSN:	5895013224835	
P/N:	G267558-1 (49956)	
Buy Price:	\$27,602.71	
Date Last Procured:	7/1/1984	
Repair Cost:	\$5,110.60	
AAC:	M	
Surplus Available:	0	
QPA/APPL Rate:	1	100%
Replacement Rate:	6	



Out Year Requirements: BUY									
FY20:	0	FY21:	0	FY22:	0	FY23:	0	FY24:	0

Out Year Requirements: REPAIR									
FY20:	1	FY21:	1	FY22:	1	FY23:	1	FY24:	1

761:	Available
EDL:	Available

762:	Available
RDL:	Available

NOTES

- Interested vendors should submit a Source Approval Request (SAR)



Frequency Multiplier

Alternate Source – Repair

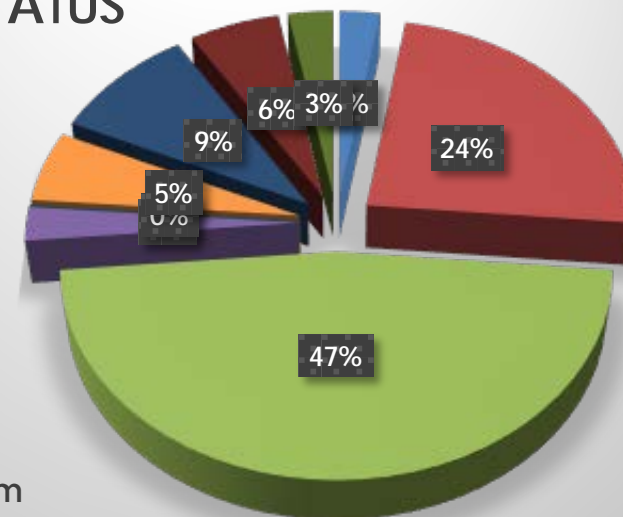
Hill AFB - 415 SCMS



AMC/AMSC:	2	B
RMC/RMSC:	1	C
Material:	Not available	
Dimensions:	8"L X 1.6"H X 1.3"W	
Criticality Code:	X	
Drawings Available:	Yes	
Drawing #:	G267558 (SCD)	
T.O. Available:	Yes	
T.O. #:	12R2-2ARC208-32, Fig 1, Ind 187	
Budget Code:	8	
Drawing Cage Code:	49956	
Mesh File Available:	0	
Next Higher Asbly:	Radio Terminal Set, 5996-01-325-8555	

HEALTH STATUS

- Obsolete
- Sole Source
- Two or More
- Unknown
- Proprietary
- Logistics
- NA
- Build To Print
- Comn Ind Item



If you would like to participate in the Technical Discussion on **20 November 2019, at 10:00AM – 11:00AM (CST)**, provide the following information NLT **14 November 2019**

429SCMS.SASPO.Workflow@us.af.mil

- Company, address, name(s), email(s), phone
- Your questions for engineering



High Voltage Power Supply

Alternate Source – Repair

Hill AFB - 415 SCMS



MD:	MILSTAR	
TMS:	N/A	
Noun:	High Voltage Power Supply	
NSN:	6130015380126	
P/N:	20141001	
Buy Price:	\$53,935.91	
Date Last Procured:	4/9/2019	
Repair Cost:	\$28,227.72	
AAC:	C	
Surplus Available:	0	
QPA/APPL Rate:	1	100%
Replacement Rate:	0	



Out Year Requirements: BUY									
FY20:	0	FY21:	0	FY22:	0	FY23:	0	FY24:	0

Out Year Requirements: REPAIR									
FY20:	5	FY21:	5	FY22:	5	FY23:	5	FY24:	5

761:	Available
EDL:	Available

762:	Available
RDL:	Available

NOTES

- Interested vendors should submit a Source Approval Request (SAR)



High Voltage Power Supply

Alternate Source – Repair

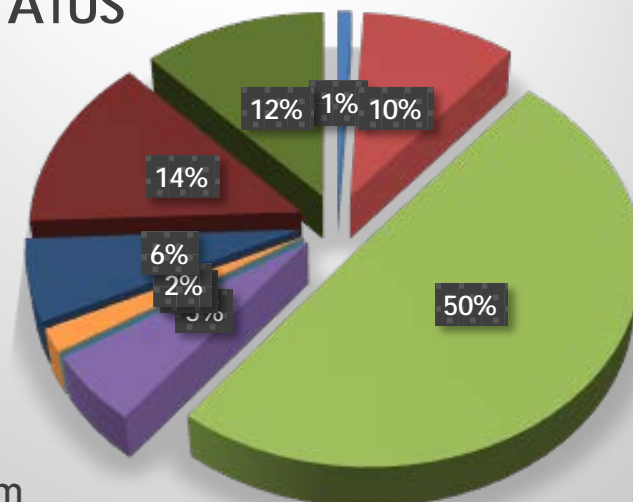
Hill AFB - 415 SCMS



AMC/AMSC:	1	C
RMC/RMSC:	1	C
Material:	Not Available	
Dimensions:	19.6"L X 15.4"W X 7.6"H X 95 LBS	
Criticality Code:	X	
Drawings Available:	Yes	
Drawing #:	G291233	
T.O. Available:	Yes	
T.O. #:	12R2-2ARC208-102	
Budget Code:	8	
Drawing Cage Code:	49956	
Mesh File Available:	0	
Next Higher Asbly:	Radio Terminal Set/Multiple NSNs	

HEALTH STATUS

- Obsolete
- Sole Source
- Two or More
- Unknown
- Proprietary
- Logistics
- NA
- Build To Print
- Comn Ind Item



If you would like to participate in the Technical Discussion on **20 November 2019, at 10:00AM – 11:00AM (CST)**, provide the following information NLT **14 November 2019**

429SCMS.SASPO.Workflow@us.af.mil

- Company, address, name(s), email(s), phone
- Your questions for engineering



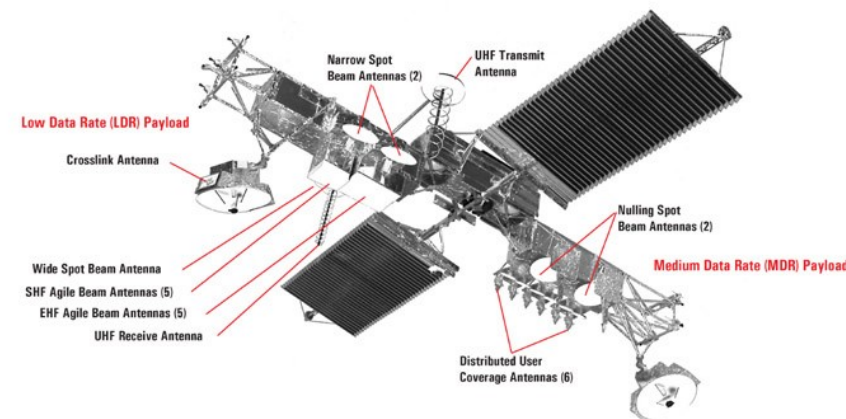
Frequency Standard

Alternate Source – Repair

Hill AFB - 415 SCMS



MD:	MILSTAR	
TMS:	N/A	
Noun:	FREQUENCY STANDARD	
NSN:	6625015602531	
P/N:	AR-61A-08-01	
Buy Price:	\$31,607.00	
Date Last Procured:	11/20/2018	
Repair Cost:	\$7,124.49	
AAC:	C	
Surplus Available:	0	
QPA/APPL Rate:	1	100%
Replacement Rate:	100	



Out Year Requirements: BUY									
FY20:	0	FY21:	0	FY22:	0	FY23:	0	FY24:	0

Out Year Requirements: REPAIR									
FY20:	14	FY21:	12	FY22:	9	FY23:	9	FY24:	4

761:	Available
EDL:	Available

762:	Available
RDL:	Available

NOTES

- Interested vendors should submit a Source Approval Request (SAR)



Frequency Standard

Alternate Source – Repair

Hill AFB - 415 SCMS



AMC/AMSC:	1	Z
RMC/RMSC:	1	C
Material:	Aluminum	
Dimensions:	4.5"L X 3.25"W X 3.25"H X 4.6 LBS	
Criticality Code:	H	
Drawings Available:	No	
Drawing #:	0	
T.O. Available:	No	
T.O. #:	0	
Budget Code:	8	
Drawing Cage Code:	0	
Mesh File Available:	0	
Next Higher Asmbly:	Multiple	

DMSMS Report Not Available

If you would like to participate in the Technical Discussion on **20 November 2019, at 10:00AM – 11:00AM (CST)**, provide the following information NLT 14 November 2019
429SCMS.SASPO.Workflow@us.af.mil

- Company, address, name(s), email(s), phone
- Your questions for engineering



Radio Frequency Amplifier

Alternate Source – Repair

Hill AFB - 415 SCMS



MD:	MILSTAR	
TMS:	N/A	
Noun:	Radio Frequency Amplifier	
NSN:	5996015913349	
P/N:	310903 (CAGE 5UKN3) G287706-1?	
Buy Price:	\$26,779.09	
Date Last Procured:	2/2/2011	
Repair Cost:	\$7,498.14	
AAC:	C	
Surplus Available:	0	
QPA/APPL Rate:	1	100%
Replacement Rate:	3	



Out Year Requirements: BUY									
FY20:	0	FY21:	0	FY22:	0	FY23:	0	FY24:	0

Out Year Requirements: REPAIR									
FY20:	7	FY21:	7	FY22:	7	FY23:	0	FY24:	0

761:	Available
EDL:	Available

762:	Available
RDL:	Available

NOTES

- Interested vendors should submit a Source Approval Request (SAR)



Radio Frequency Amplifier

Alternate Source – Repair

Hill AFB - 415 SCMS



AMC/AMSC:	2	C
RMC/RMSC:	2	C
Material:	Not available	
Dimensions:	Not available	
Criticality Code:	X	
Drawings Available:	Yes	
Drawing #:	310903	
T.O. Available:	Yes	
T.O. #:	12R2-2ARC208-32	
Budget Code:	8	
Drawing Cage Code:	2F259	
Mesh File Available:	0	
Next Higher Asmbly:	Multiple	

DMSMS Report Not Available

If you would like to participate in the Technical Discussion on **20 November 2019, at 10:00AM – 11:00AM (CST)**, provide the following information NLT 14 November 2019
429SCMS.SASPO.Workflow@us.af.mil

- Company, address, name(s), email(s), phone
- Your questions for engineering